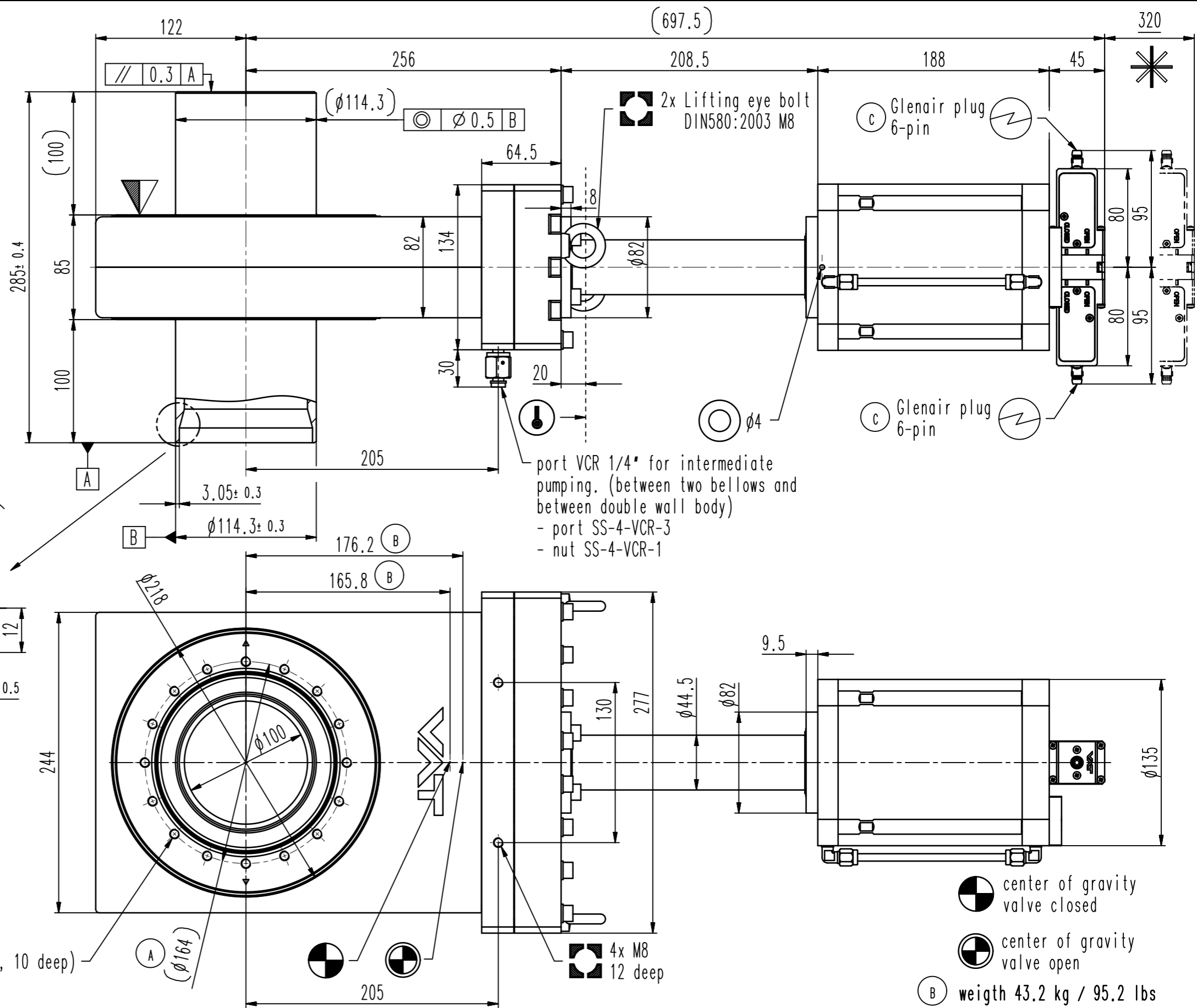
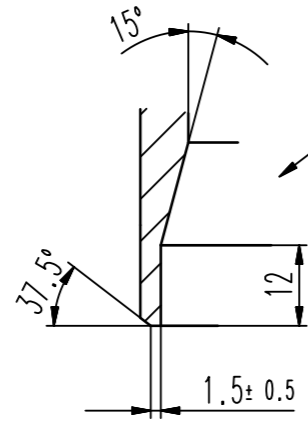
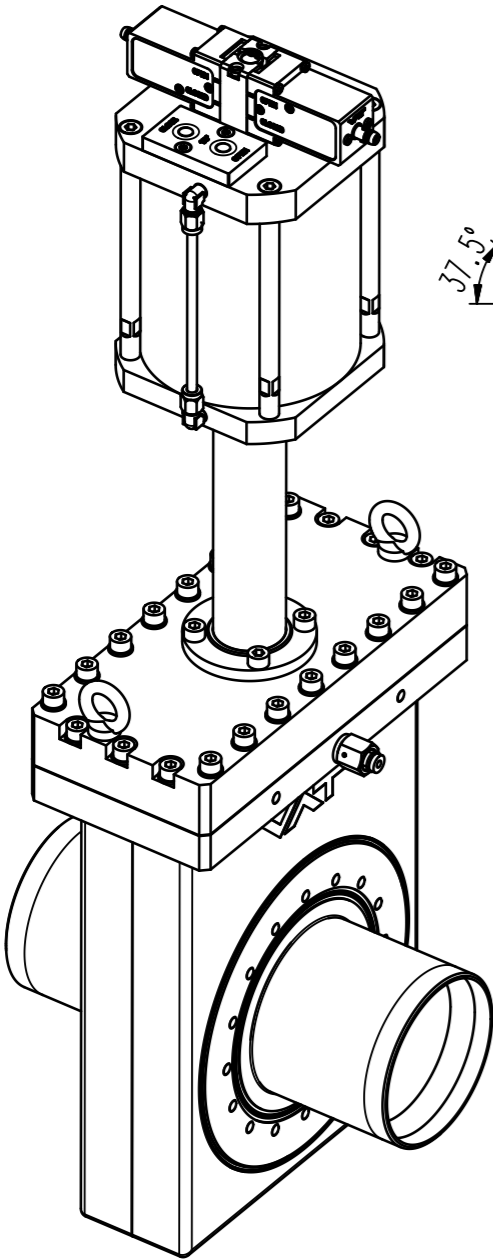
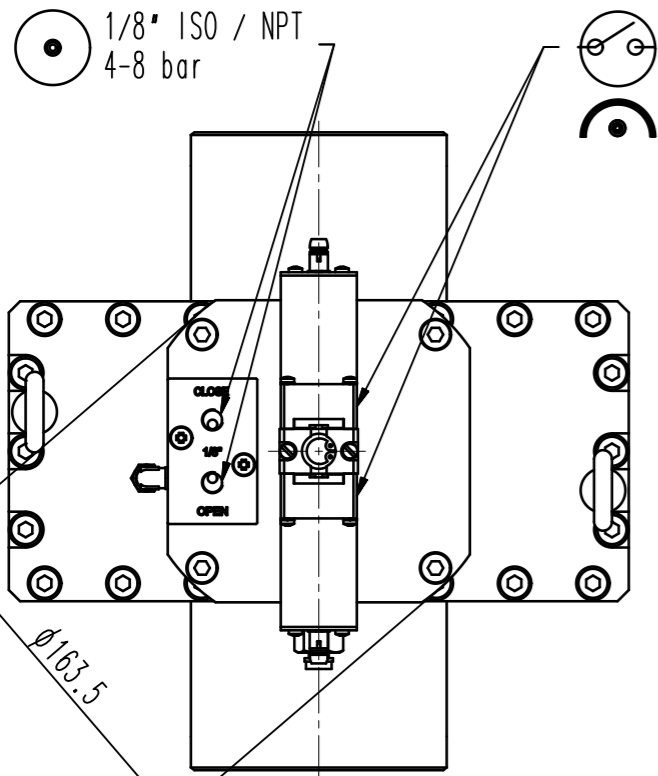


This drawing is the property of VAT.

Revision

Customer number



(16x M8, 10 deep)

port VCR 1/4" for intermediate pumping. (between two bellows and between double wall body)
 - port SS-4-VCR-3
 - nut SS-4-VCR-1

- center of gravity valve closed
- center of gravity valve open
- (B)** weight 43.2 kg / 95.2 lbs

- Seat side
- Comp. air connection
- Electrical connection
- Leak detection port
- Mech. pos. indication
- Position indicator
- Required for dismantling
- Emergency actuation
- For attachment
- Bake-out area
- Differential pumping port

All-metal gate valve

product: valve typ ITER 1; flange A+B; ; weld stub flange:
 Schedule No. 10S;

VAT VAT Vakuumventile AG
 CH-9469 Haag, Switzerland
 Tel ++41 81 7716161 Fax ++41 81 7714830

Rev.-Date: 15.05.20
 Visa: MAT

Series	482	Ordering No.	48240-RE24-ARG1
Projection E		DN	100
		Flange	R
Dimensional Drawing			826212
			Rev. C