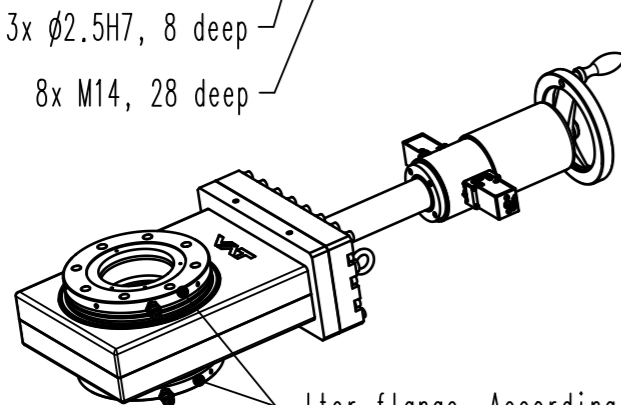
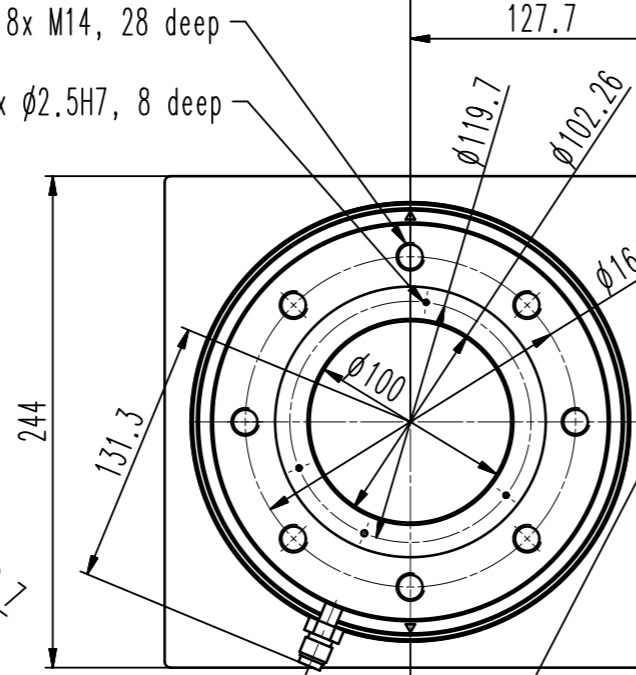
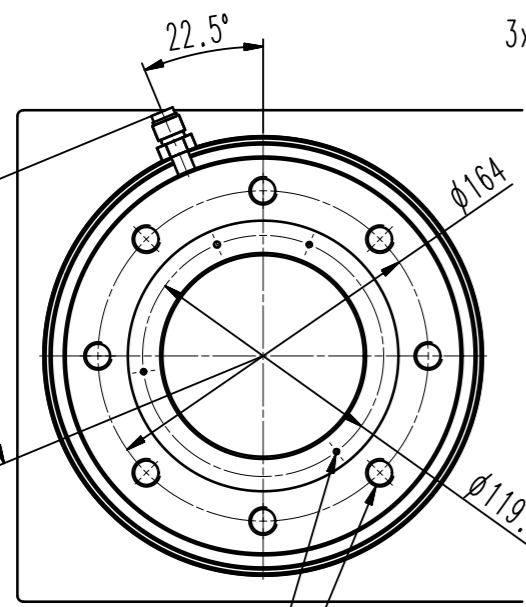


port VCR 1/4" for intermediate pumping. (between two seals)
 - port SS-4-VCR-3
 - nut SS-4-VCR-4

port VCR 1/4" for intermediate pumping. (between two bellows and between double wall body)
 - port SS-4-VCR-3
 - nut SS-4-VCR-1

VIEW A



Iter flange. According to ITER drawing number 008475 Rev. E

- ▼ Seat side
- Comp. air connection
- ⊕ Electrical connection
- ⊖ Leak detection port
- ⊙ Mech. pos. indication
- ⊘ Position indicator
- ⊚ Required for dismantling
- ⊛ Emergency actuation
- ⊜ For attachment
- ⊝ Bake-out area
- ⊞ Differential pumping port

All-metal gate valve

product: valve typ ITER 1; flange A+B: ; type ITER;



VAT Vakuumentile AG
 CH-9469 Haag, Switzerland
 Tel ++41 81 7716161 Fax ++41 81 7714830

Rev.-Date: 15.05.20
 Visa: MAT

Series	482		Ordering No.	48240-XE05-ATU1	
Projection E	DN	Flange			
	100	X			
Dimensional Drawing	999295		Rev.	A	

center of gravity valve closed
 center of gravity valve open
 weight 49.4 kg / 108.9 lbs