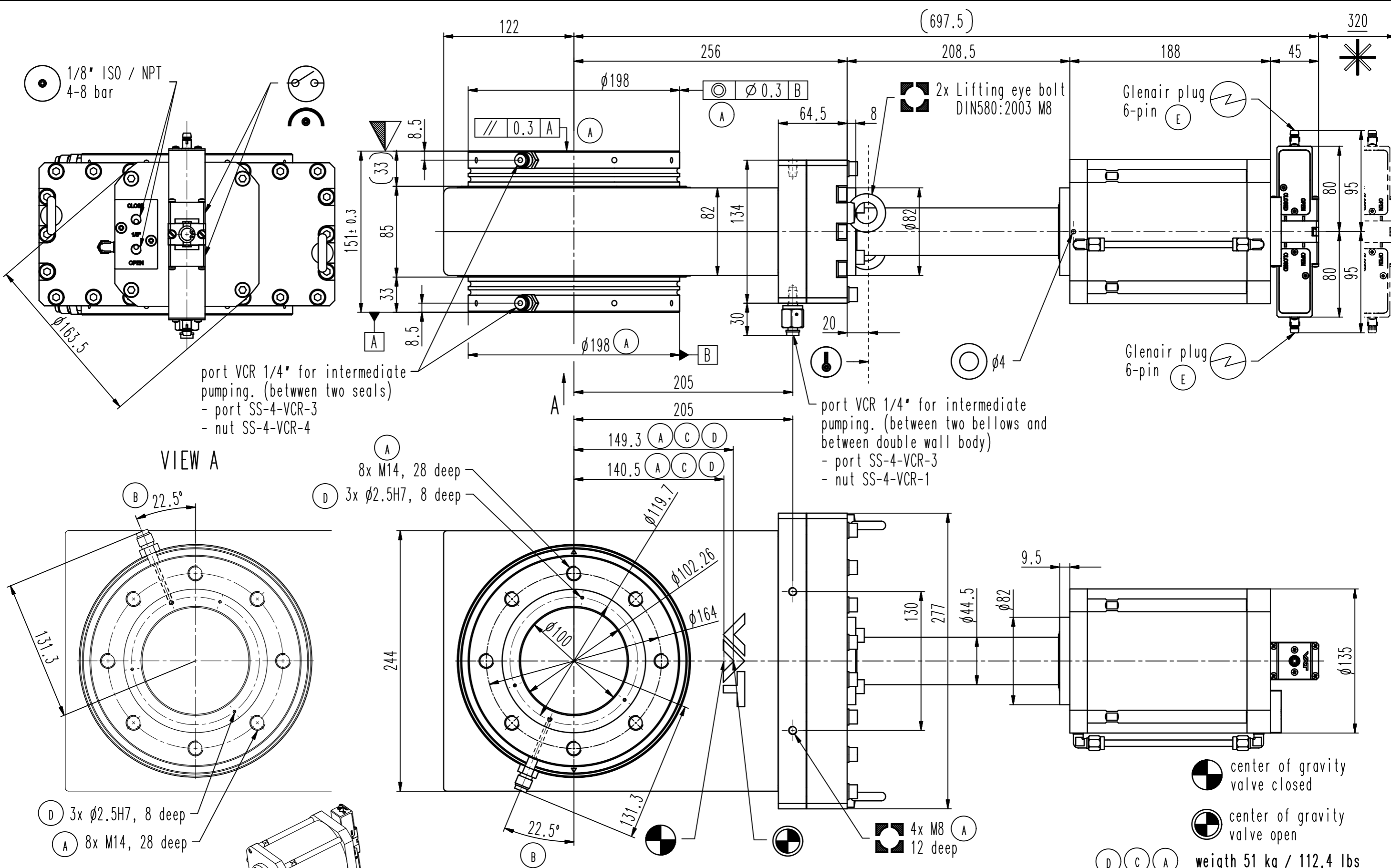


This drawing is the property of VAT.

Revision

Customer number



port VCR 1/4" for intermediate pumping. (between two seals)
- port SS-4-VCR-3
- nut SS-4-VCR-4

port VCR 1/4" for intermediate pumping. (between two bellows and between double wall body)
- port SS-4-VCR-3
- nut SS-4-VCR-1

VIEW A

Iter flange. According to ITER drawing number 008475 Rev. E

center of gravity valve closed
center of gravity valve open

weight 51 kg / 112.4 lbs

- ▼ Seat side
- Comp. air connection
- Electrical connection
- Leak detection port
- Mech. pos. indication
- Position indicator
- Required for dismantling
- Emergency actuation
- For attachment
- Bake-out area
- Differential pumping port

All-metal gate valve

product: valve typ ITER 1; flange A+B; ; type ITER;



VAT Vakuumventile AG
CH-9469 Haag, Switzerland
Tel ++41 81 7716161 Fax ++41 81 7714830

Rev.-Date: 15.05.20
Visa: MAT

Series	482	Ordering No.	48240-XE24-APV1
Projection E	DN	Flange	X
Dimensional Drawing	100		
	749246		