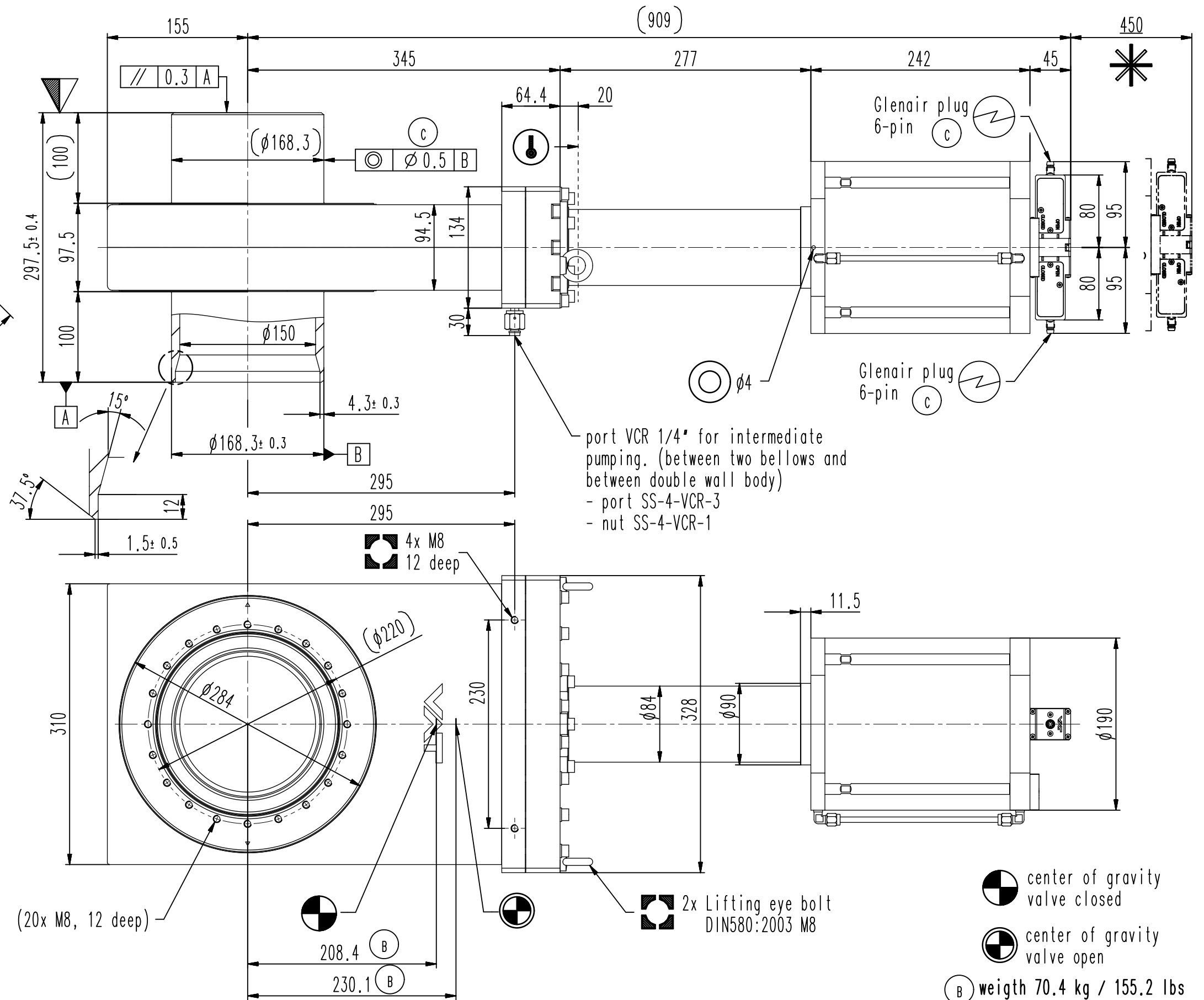
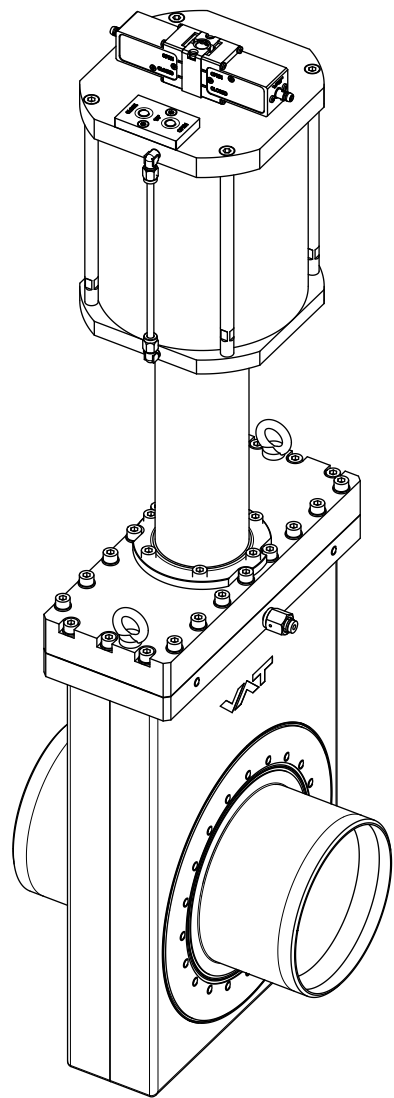
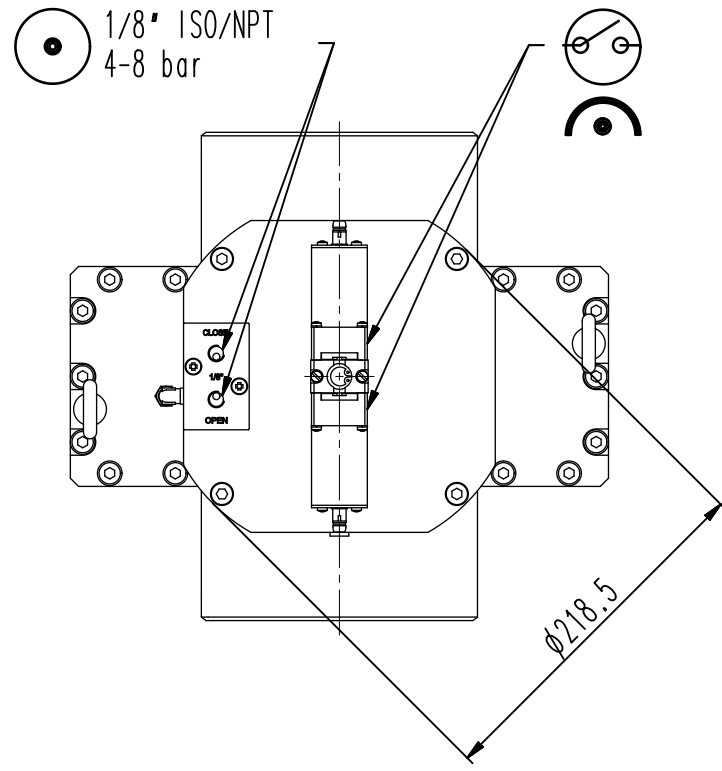


This drawing is the property of VAT.

Revision

Customer number



- center of gravity valve closed
- center of gravity valve open
- (B)** weight 70.4 kg / 155.2 lbs

- Seat side
- Comp. air connection
- Electrical connection
- Leak detection port
- Mech. pos. indication
- Position indicator
- Required for dismantling
- Emergency actuation
- For attachment
- Bake-out area
- Differential pumping port

**All-metal gate valve**  
 product: valve typ ITER 1; flange A+B; ; weld stub flange:  
 Schedule No. 10S;

**VAT** VAT Vakuumventile AG  
 CH-9469 Haag, Switzerland  
 Tel ++41 81 7716161 Fax ++41 81 7714830

Rev.-Date: 18.05.20  
 Visa: MAT

Series	482	Ordering No.	(A) 48244-RE24-ARG1
Projection E	DN	Flange	R
	160		
Dimensional Drawing	824527	Rev.	(C)