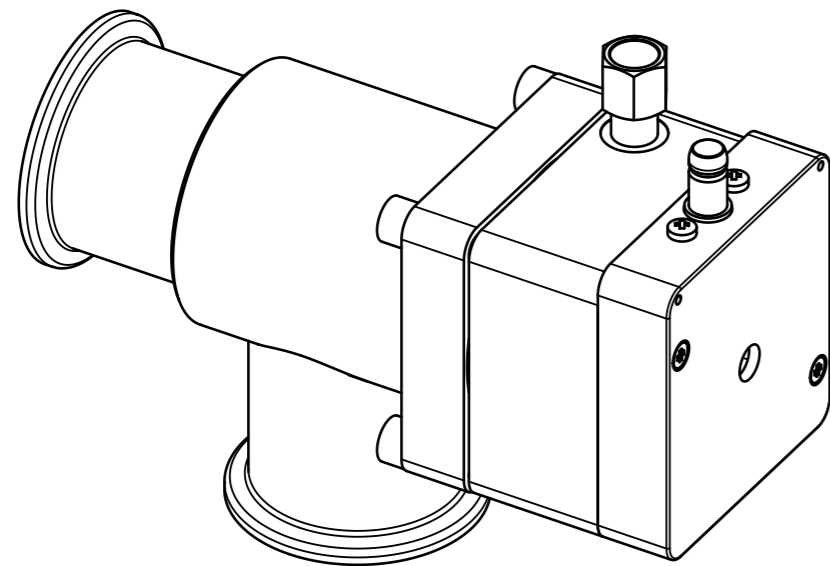
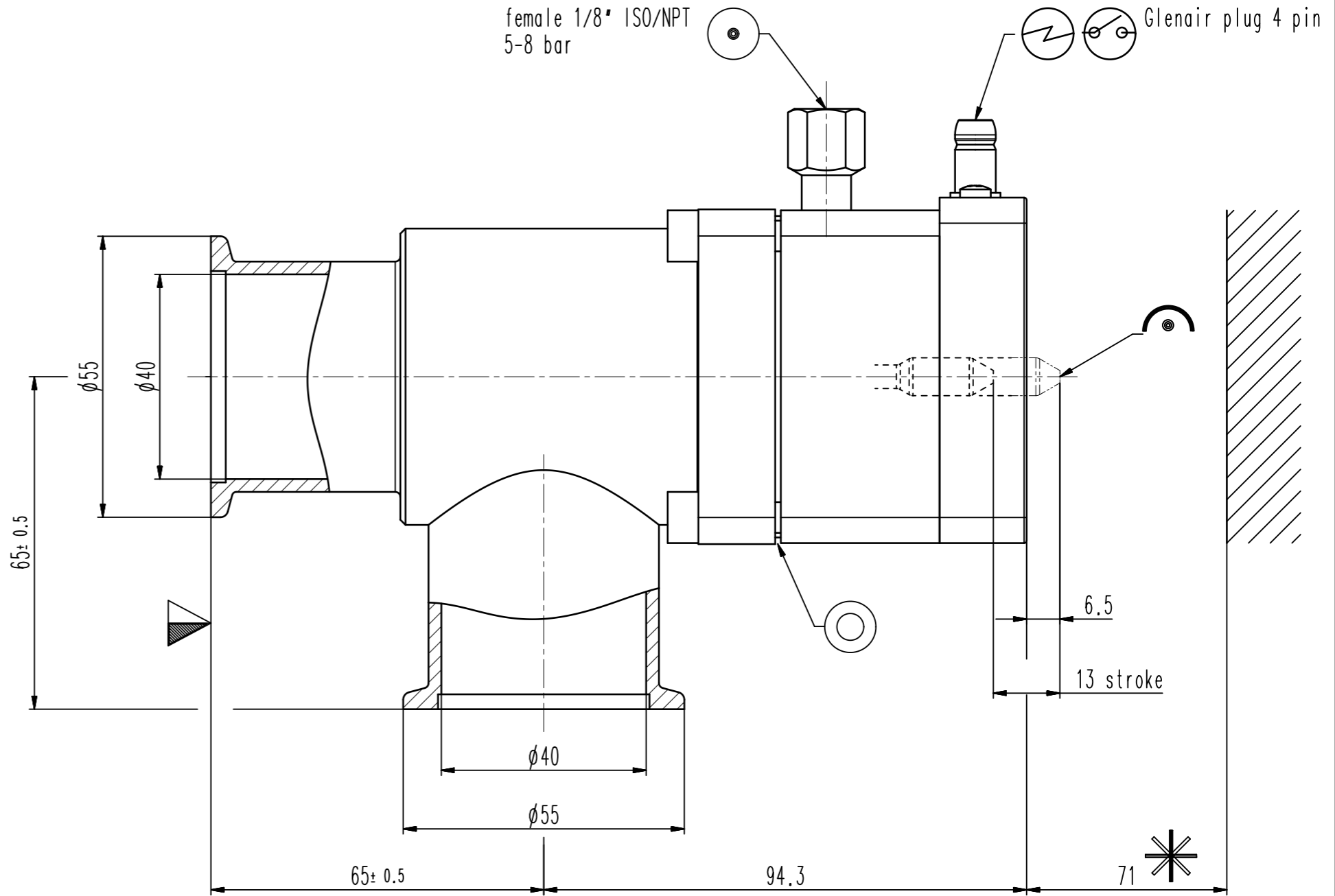
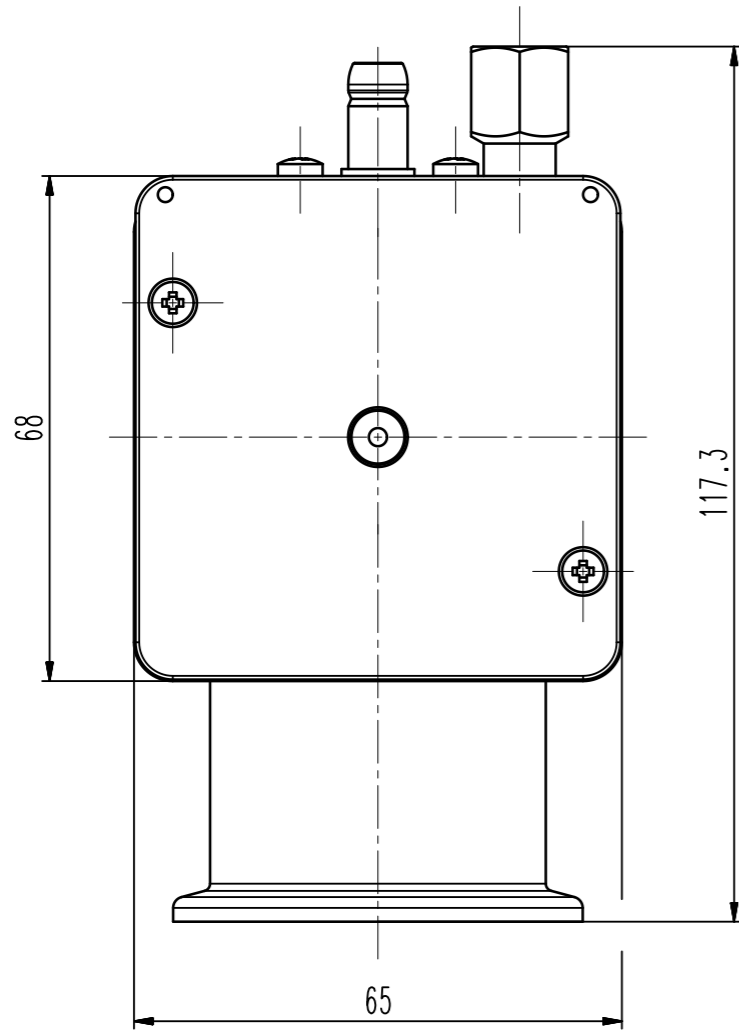


This drawing is the property of VAT.

Revision

Customer number



- ▼ Seat side
- Comp. air connection
- Electrical connection
- Leak detection port
- Mech. pos. indication
- Position indicator
- * Required for dismantling
- Emergency actuation
- For attachment
- Bake-out area
- Differential pumping port

UHV angle valve

product: valve type ITER 21;



VAT Vakuumentile AG

CH-9469 Haag, Switzerland
Tel ++41 81 7716161 Fax ++41 81 7714830

Rev.-Date: 11.04.17

Visa: WARO

Series	284	Ordering No.	28432-KE21-CQD1
Projection E		DN	40
		Flange	ISO-KF
Dimensional Drawing			890427
		Rev.	