



VAT Vakuumventile AG
CH-9469 Haag, Schweiz

Product data sheet

UHV angle valve
Series 284, DN 63 (ID 2 1/2")
Ordering No. 28436-QE21-CQD1

Description

Flange		ISO-K 63
Actuator		Pneumatic, single acting with closing spring – without solenoid valve – with position indicator
Feedthrough		Bellows
Options	CQD =	– Product: valve type ITER 21

Technical data¹

Leak rate	– Valve body – Valve seat	$\leq 1 \cdot 10^{-8}$ mbar ls ⁻¹ $< 1 \cdot 10^{-8}$ mbar ls ⁻¹
Leak rate (accidental condition)	– Valve body – Valve seat	$\leq 1 \cdot 10^{-8}$ mbar ls ⁻¹ n/a
Pressure range		$1 \cdot 10^{-8}$ mbar to 1.5 bar (abs)
Differential pressure on the plate	– In either direction	≤ 1.5 bar
Differential pressure at opening		≤ 1 bar
Conductance (molecular flow)		160 ls ⁻¹
Closing time		≤ 0.70 sec.
Cycles until first service (Tmax 80 °C, under clean conditions)		10 000
Temperature (Maximum values: depending on operating conditions and sealing materials)	– Valve body – Actuator – Position indicator	≤ 150 °C ≤ 150 °C ≤ 120 °C
Material	– Valve body – Actuator – Plate – Bellows	AISI 316L (1.4404) Aluminum AISI 316L (1.4404) AISI 316L (1.4404, 1.4435) AISI 316 Ti (1.4571)
Seal	– Bonnet O-ring – Plate O-ring – Actuator O-ring	metal EPDM EPDM
Weight		4.76 kg / 10.55 lbs
Mounting position		any
Radiation resistance		10^6 Gy (10^8 rad)
Maximum magnetic field levels		≤ 150 mT
Volume of pneumatic actuator		0.112 l / 0.0040 ft ³
Compressed air min. – max. overpressure		4 – 8 bar / 58 – 116 psi
Compressed air connection		1/8" female ISO/NPT

¹ Values according technical specification D_R8752R v.1.1

Created by: GARM	Release date: 13.02.2019	1/2
Modified by:	Release date:	893093EB



VAT Vakuumventile AG
CH-9469 Haag, Schweiz

Product data sheet

UHV angle valve
Series 284, DN 63 (ID 2 1/2")
Ordering No. 28436-QE21-CQD1

Behavior in case of compressed air pressure drop	<ul style="list-style-type: none"> - Valve closed - Valve opened - During actuation 	<ul style="list-style-type: none"> valve remains closed and leaktight valve closes leaktight valve closes leaktight
Behavior in case of power failure	<ul style="list-style-type: none"> - Valve closed - Valve opened - During actuation 	<ul style="list-style-type: none"> depending on customer installation depending on customer installation depending on customer installation
Assembly cleanliness level		ISO Class 8

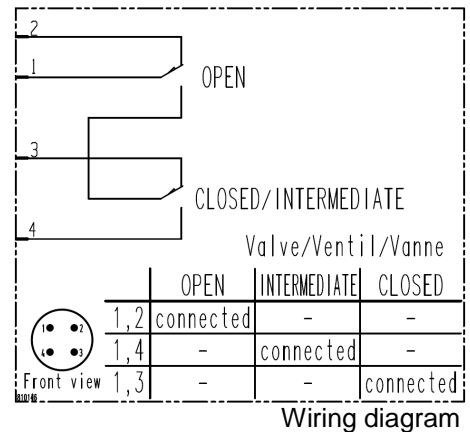
Related documents

Dimensional drawing No.	893072
STEP file No.	893071

Electrical connections

Position indicator

Type	Micro switch
Voltage	≤ 50 V AC / DC
Current	5 – 100 mA
Short circuit protected	No
Male plug (VAT valve)	4 pin
Female connector (ITER) ²	8070-2201-01Z16-4SA (Glenair)



² Not included with delivery

Created by: GARM	Release date: 13.02.2019	2/2
Modified by:	Release date:	893093EB