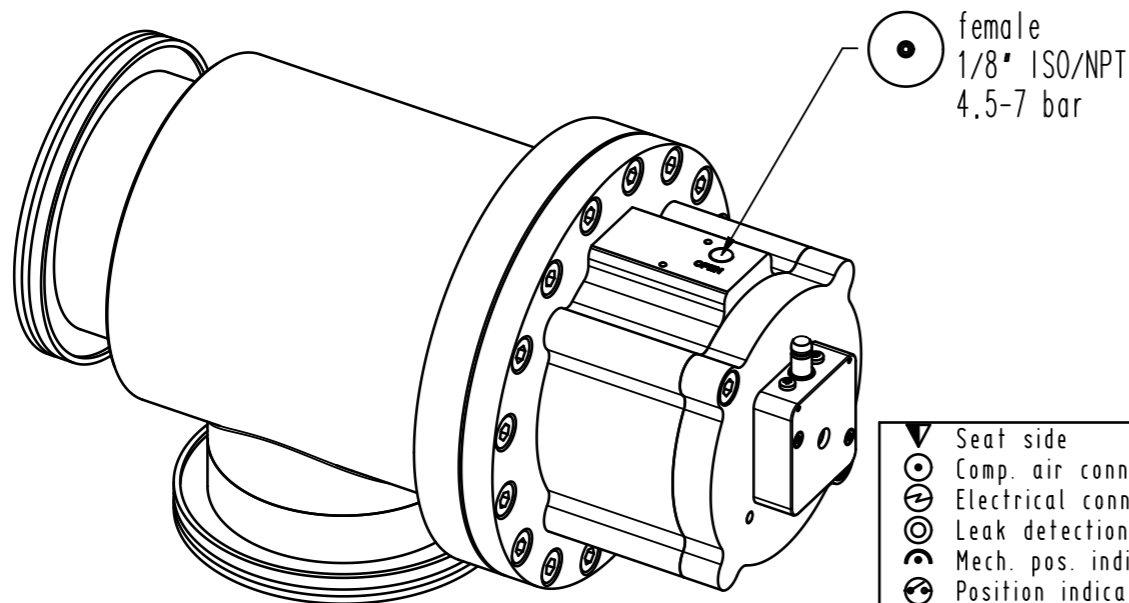
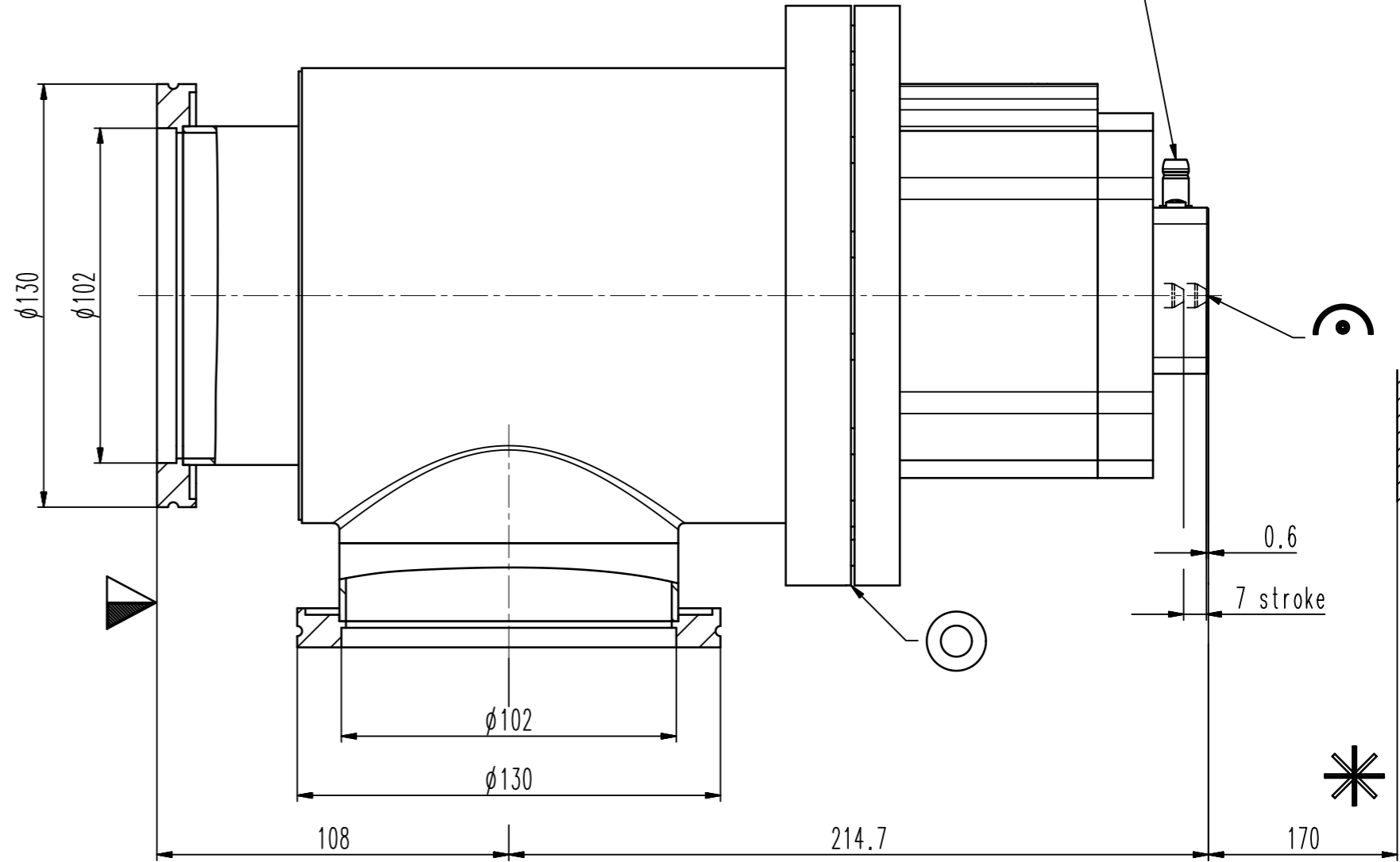
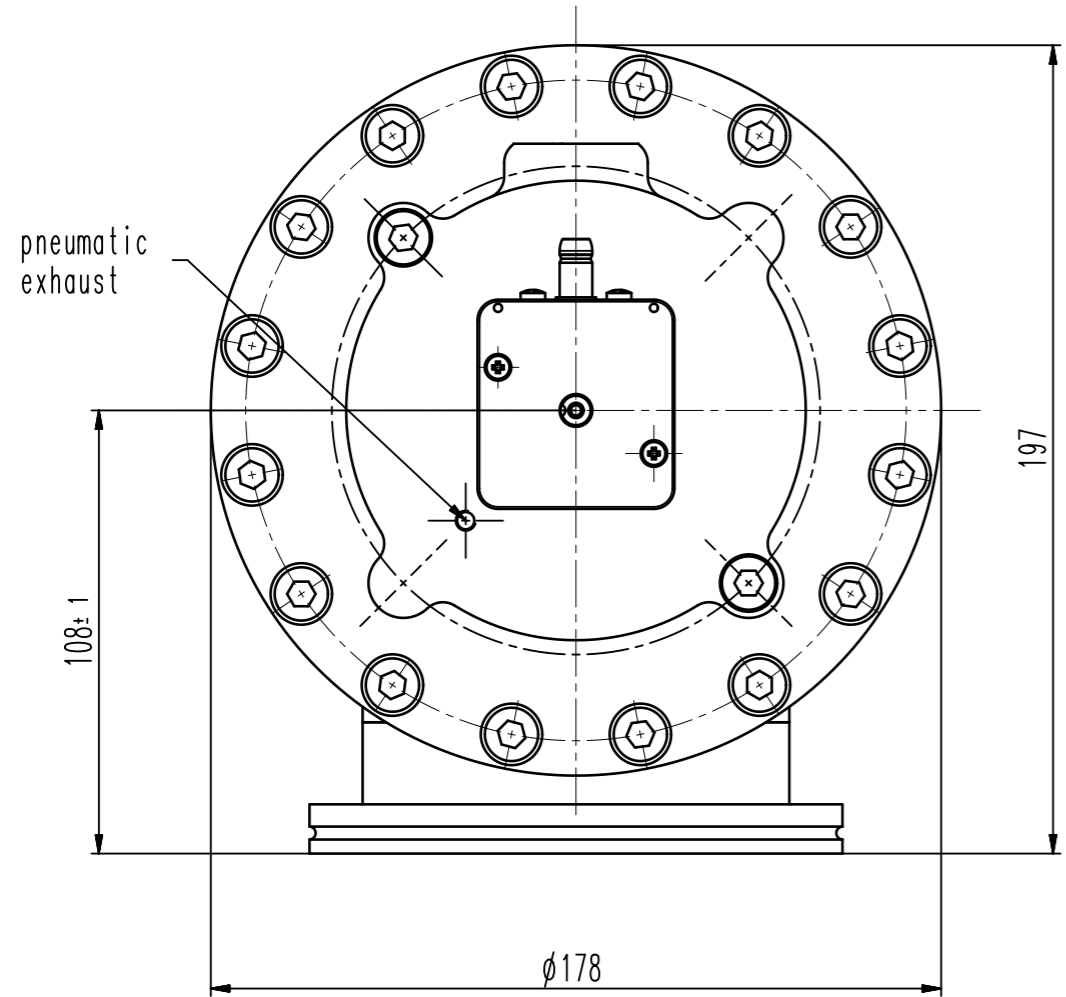


This drawing is the property of VAT.

Revision

Customer number



- ▼ Seat side
- Comp. air connection
- Electrical connection
- Leak detection port
- Mech. pos. indication
- Position indicator
- * Required for dismantling
- Emergency actuation
- For attachment
- Bake-out area
- Differential pumping port

UHV angle valve

product: valve type ITER 21;



VAT Vakuumventile AG

CH-9469 Haag, Switzerland
Tel ++41 81 7716161 Fax ++41 81 7714830

Rev.-Date: 10.01.18

Visa: RIA

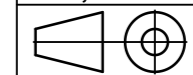
Series

284

Ordering No.

28440-QE21-CQD1

Projection E



DN

100

Flange

ISO-K

Dimensional Drawing

855622

Rev.

A

VAT/DA