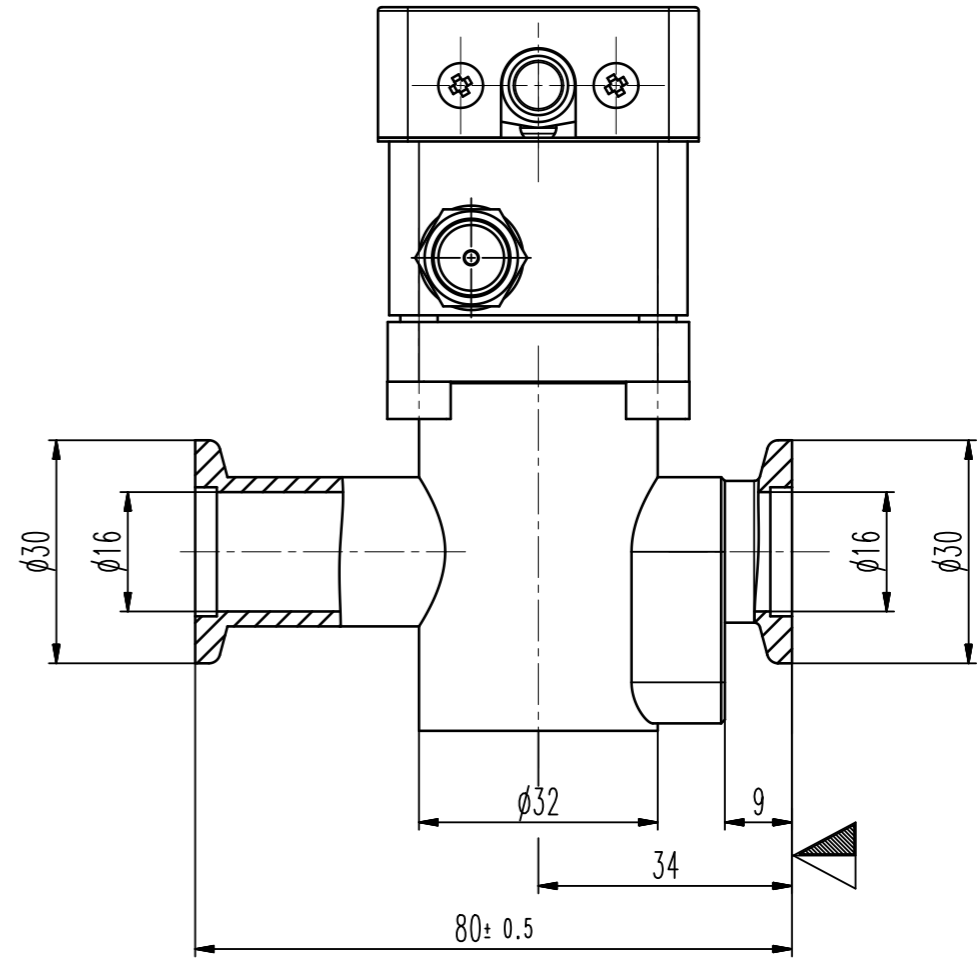
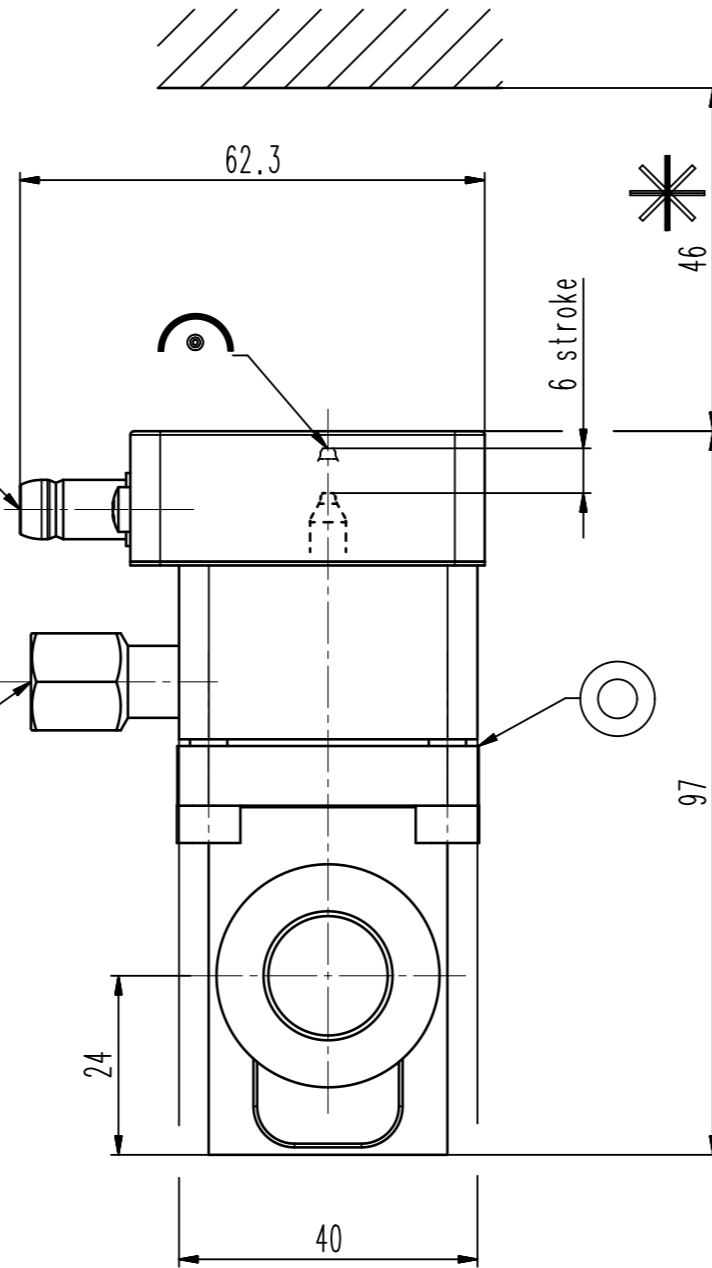


female 1/8" ISO/NPT  
5-8 bar

Glenair plug 4 pin



- ▼ Seat side
- ⊙ Comp. air connection
- ⊙ Electrical connection
- ⊙ Leak detection port
- ⊙ Mech. pos. indication
- ⊙ Position indicator
- ⊙ Required for dismantling
- ⊙ Emergency actuation
- ⊙ For attachment
- ⊙ Bake-out area
- ⊙ Differential pumping port

### UHV inline valve

product: valve type ITER 21;



VAT Vakuumventile AG

CH-9469 Haag, Switzerland  
Tel ++41 81 7716161 Fax ++41 81 7714830

Rev.-Date: 20.11.18

Visa: WARO

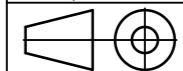
Series

285

Ordering No.

28524-KE21-CQD1

Projection E



DN

16

Flange

ISO-KF

Dimensional  
Drawing

960603

Rev.