



VAT Vakuumventile AG
CH-9469 Haag, Schweiz

Product data sheet

UHV inline valve
Series 285, DN 16 (ID 5/8")
Ordering No. 28524-KE21-CQD1

Description

Flange		ISO-KF 16
Actuator		Pneumatic, single acting with closing spring – without solenoid valve – with position indicator
Feedthrough		Bellows
Options	CQD =	– Product: valve type ITER 21 – Actuator: seal material EPDM – Gate: seal material EPDM – Position indicator: Glenair 4 pin connector; 120°C – Compressed air connection: female 1/8" ISO/NPT

Technical data¹

Leak rate	– Valve body – Valve seat	$\leq 1 \cdot 10^{-8}$ mbar ls ⁻¹ $< 1 \cdot 10^{-8}$ mbar ls ⁻¹
Leak rate (accidental condition)	– Valve body – Valve seat	$\leq 1 \cdot 10^{-8}$ mbar ls ⁻¹ n/a
Pressure range		$1 \cdot 10^{-8}$ mbar to 1.5 bar (abs)
Differential pressure on the plate	– In either direction	≤ 1.5 bar
Differential pressure at opening		≤ 1 bar
Closing time		≤ 0.1 sec.
Cycles until first service (Tmax 80 °C, under clean conditions)		10 000
Temperature (Maximum values: depending on operating conditions and sealing materials)	– Valve body – Actuator – Position indicator	≤ 150 °C ≤ 150 °C ≤ 120 °C
Material	– Valve body – Actuator – Plate – Bellows	AISI 304 (1.4301) Aluminum AISI 316L (1.4404) AISI 316L (1.4404, 1.4435), AISI 316 Ti (1.4571)
Seal	– Bonnet – Plate – Actuator	metal EPDM EPDM
Weight		0.40 kg / 0.882 lbs
Mounting position		any
Radiation resistance		10^6 Gy (10^8 rad)
Maximum magnetic field levels		≤ 150 mT
Volume of pneumatic actuator		0.004 l / 0.0001 ft ³
Compressed air		5 – 8 bar / 73 – 116 psi

¹ Values according technical specification D_R8752R v.1.1

Created by: GARM	Release date: 13.02.2019	1/2
Modified by: Phil Schneider	Release date: 12.02.2021	960368EB



VAT Vakuumventile AG
CH-9469 Haag, Schweiz

Product data sheet

UHV inline valve
Series 285, DN 16 (ID 5/8")
Ordering No. 28524-KE21-CQD1

min. – max. overpressure

Compressed air connection

1/8" female ISO/NPT

Behavior in case of compressed air pressure drop

- Valve closed
- Valve open
- During actuation

valve remains closed and leaktight
valve closes leaktight
valve closes leaktight

Behavior in case of power failure

- Valve closed
- Valve open
- During actuation

depending on customer installation
depending on customer installation
depending on customer installation

Assembly cleanliness level

ISO Class 8

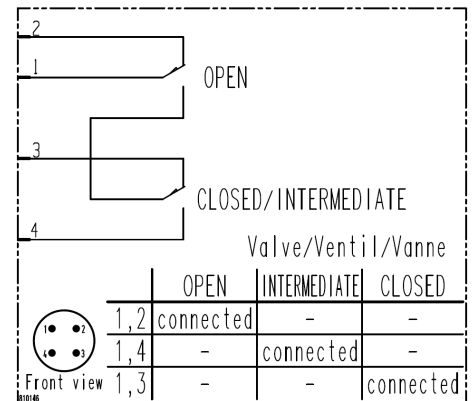
Related documents

Dimensional drawing No. 960603
STEP file No. 960601

Electrical connections

Position indicator

Type Micro switch
Voltage ≤ 50 V AC / DC
Current 5 – 100 mA
Short circuit protected No
Connector on the valve: 8070-2530-02Z16-4GA
Mating connector:* 8070-3039-01Z16-4KA
(pins compatible with AWG 20 wire)



Wiring diagram

*The mating connector is not part of the valve and needs to be ordered separately at Glenair.

Created by: GARM	Release date: 13.02.2019	2/2
Modified by: Phil Schneider	Release date: 12.02.2021	960368EB