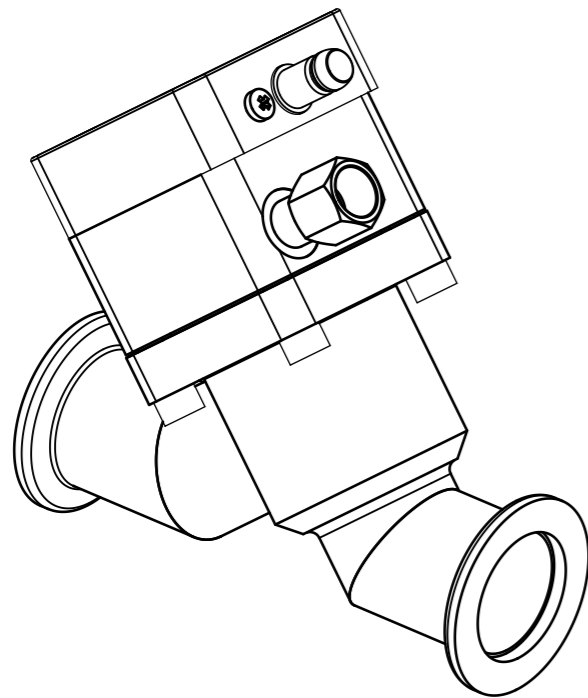
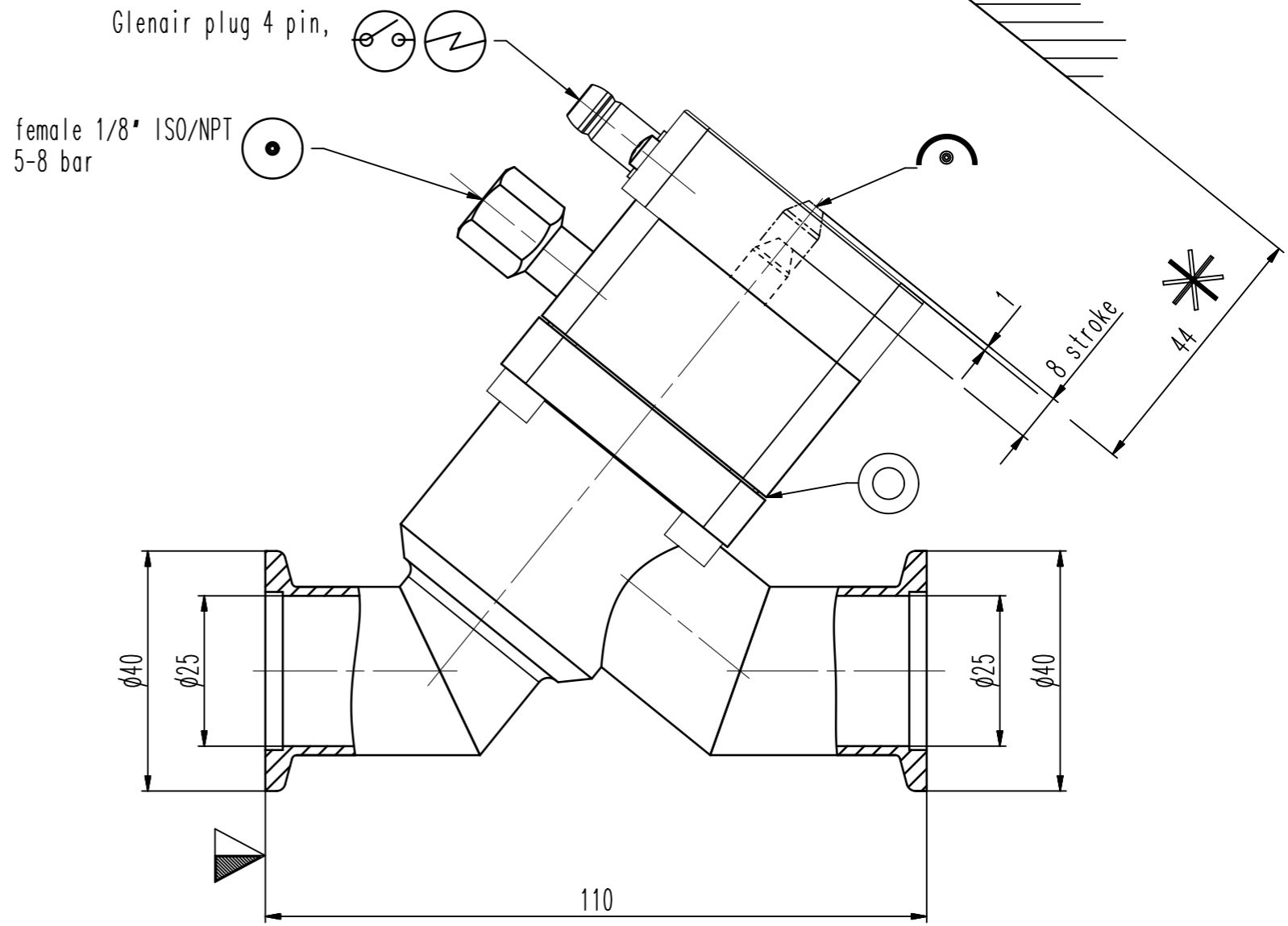
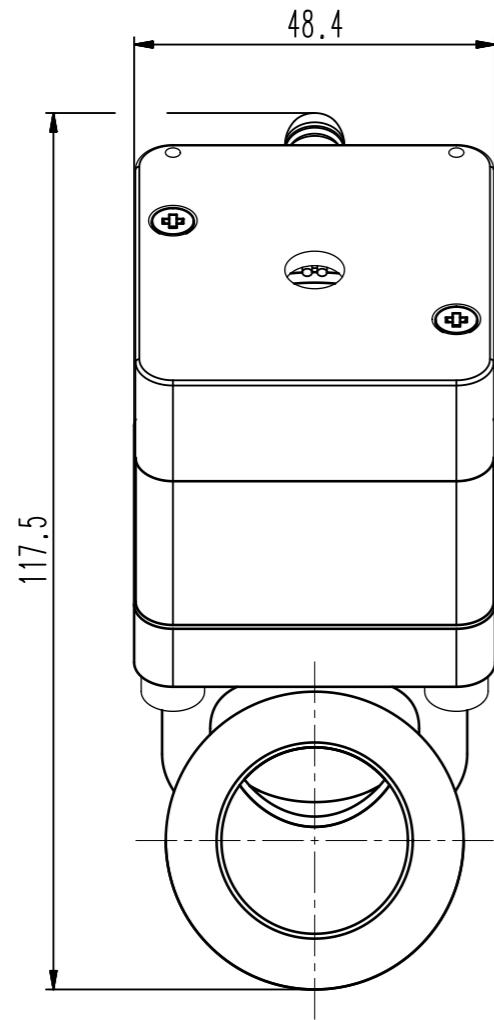


This drawing is the property of VAT.

Revision

Customer number



- ▼ Seat side
- ⊕ Comp. air connection
- ⊖ Electrical connection
- ⊙ Leak detection port
- ⊚ Mech. pos. indication
- ⊛ Position indicator
- ⊜ Required for dismantling
- ⊝ Emergency actuation
- ⊞ For attachment
- ⊟ Bake-out area
- ⊠ Differential pumping port

UHV inline valve

product: valve type ITER 21;



VAT Vakuumventile AG

CH-9469 Haag, Switzerland
Tel ++41 81 7716161 Fax ++41 81 7714830

Rev.-Date: 09.10.18

Visa: WARO

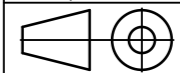
Series

285

Ordering No.

28528-KE21-CQD1

Projection E



DN

25

Flange

ISO-KF

Dimensional Drawing

921293

Rev.

A

VAT/DA