



VAT Vakuumventile AG  
CH-9469 Haag, Schweiz

## Product data sheet

**UHV angle valve, Series 284, DN 40 (ID 1 1/2")**  
**Ordering No. 28432-KE21-CVK1**

### Description

Flange		ISO-KF 40
Actuator		Pneumatic, single acting with closing spring – without solenoid valve – with position indicator
Feedthrough		Bellows
Options	CVK =	– Product: valve type ITER 22 – Actuator: seal material EPDM – Gate: seal material EPDM – Position indicator: double; Glenair 4 pin connector; 120°C – Compressed air connection: female 1/8" ISO/NPT

### Technical data<sup>1</sup>

Leak rate	– Valve body – Valve seat	$\leq 1 \cdot 10^{-8}$ mbar ls <sup>-1</sup> $< 1 \cdot 10^{-8}$ mbar ls <sup>-1</sup>
Leak rate (accidental condition)	– Valve body – Valve seat	$\leq 1 \cdot 10^{-8}$ mbar ls <sup>-1</sup> n/a
Pressure range		$1 \cdot 10^{-8}$ mbar to 1.5 bar (abs)
Differential pressure on the plate	– In either direction	$\leq 1.5$ bar
Differential pressure at opening		$\leq 1$ bar
Conductance (molecular flow)		45 ls <sup>-1</sup>
Closing time		$\leq 0.55$ sec.
Cycles until first service (Tmax 80 °C, under clean conditions)		10 000
Temperature (Maximum values: depending on operating conditions and sealing materials)	– Valve body – Actuator – Position indicator	$\leq 150$ °C $\leq 150$ °C $\leq 120$ °C
Material	– Valve body – Actuator – Plate – Bellows	AISI 304 (1.4301) Aluminum AISI 316L (1.4404) AISI 316L (1.4404, 1.4435), AISI 316 Ti (1.4571)
Seal	– Bonnet – Plate – Actuator	metal EPDM EPDM
Weight		1.25 kg / 2.75lbs
Mounting position		any
Radiation resistance		$10^6$ Gy ( $10^8$ rad)
Maximum magnetic field levels		$\leq 150$ mT
Volume of pneumatic actuator		0.035 l / 0.0012 ft <sup>3</sup>

<sup>1</sup> Values according technical specification D\_R8752R v.1.1

Created by: GARM	Release date: 13.02.2019	1/2
Modified by: Phil Schneider	Release date: 15.02.2021	<b>957792EB</b>



VAT Vakuumventile AG  
CH-9469 Haag, Schweiz

## Product data sheet

**UHV angle valve, Series 284, DN 40 (ID 1 1/2")**  
**Ordering No. 28432-KE21-CVK1**

Compressed air min. – max. overpressure		5 – 8 bar / 73 – 116 psi
Compressed air connection		1/8" female ISO/NPT
Behavior in case of compressed air pressure drop	– Valve closed – Valve open – During actuation	valve remains closed and leaktight valve closes leaktight valve closes leaktight
Behavior in case of power failure	– Valve closed – Valve open – During actuation	depending on customer installation depending on customer installation depending on customer installation
Assembly cleanliness level		ISO Class 8

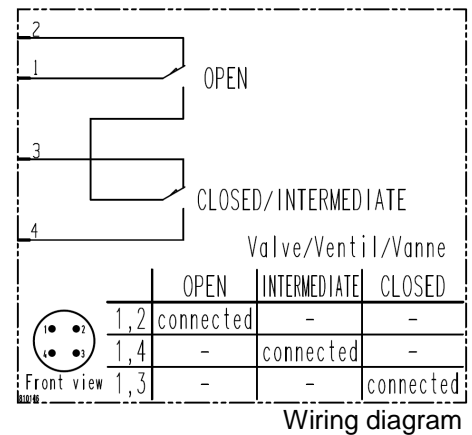
### Related documents

Dimensional drawing No.	956125
STEP file No.	956124

### Electrical connections

#### Position indicator (2x)

Type	Micro switch
Voltage	≤ 50 V AC / DC
Current	5 – 100 mA
Short circuit protected	No
Connector on the valve:	8070-2530-02Z16-4GA
Mating connector:*	8070-3039-01Z16-4KA (pins compatible with AWG 20 wire)



\*The mating connector is not part of the valve and needs to be ordered separately at Glenair.

Created by: GARM	Release date: 13.02.2019	2/2
Modified by: Phil Schneider	Release date: 15.02.2021	<b>957792EB</b>