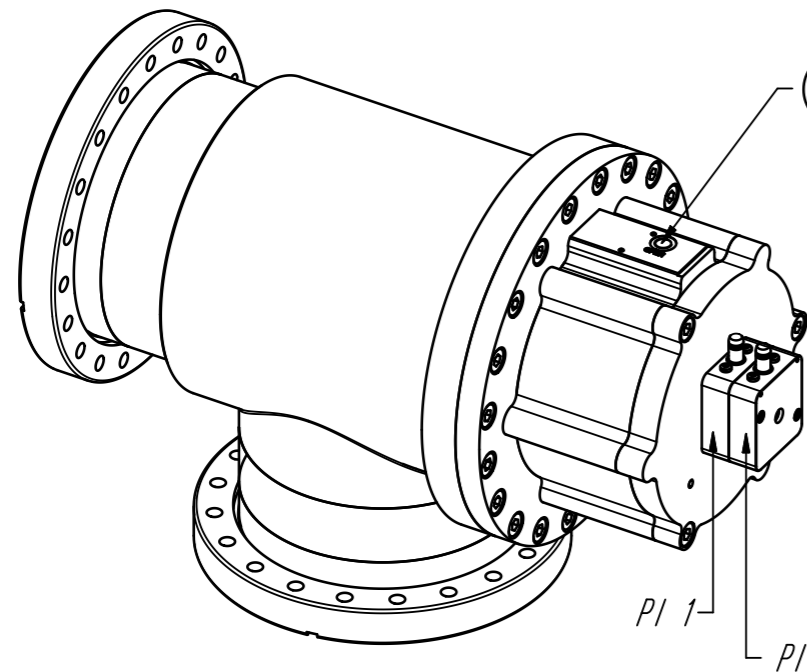
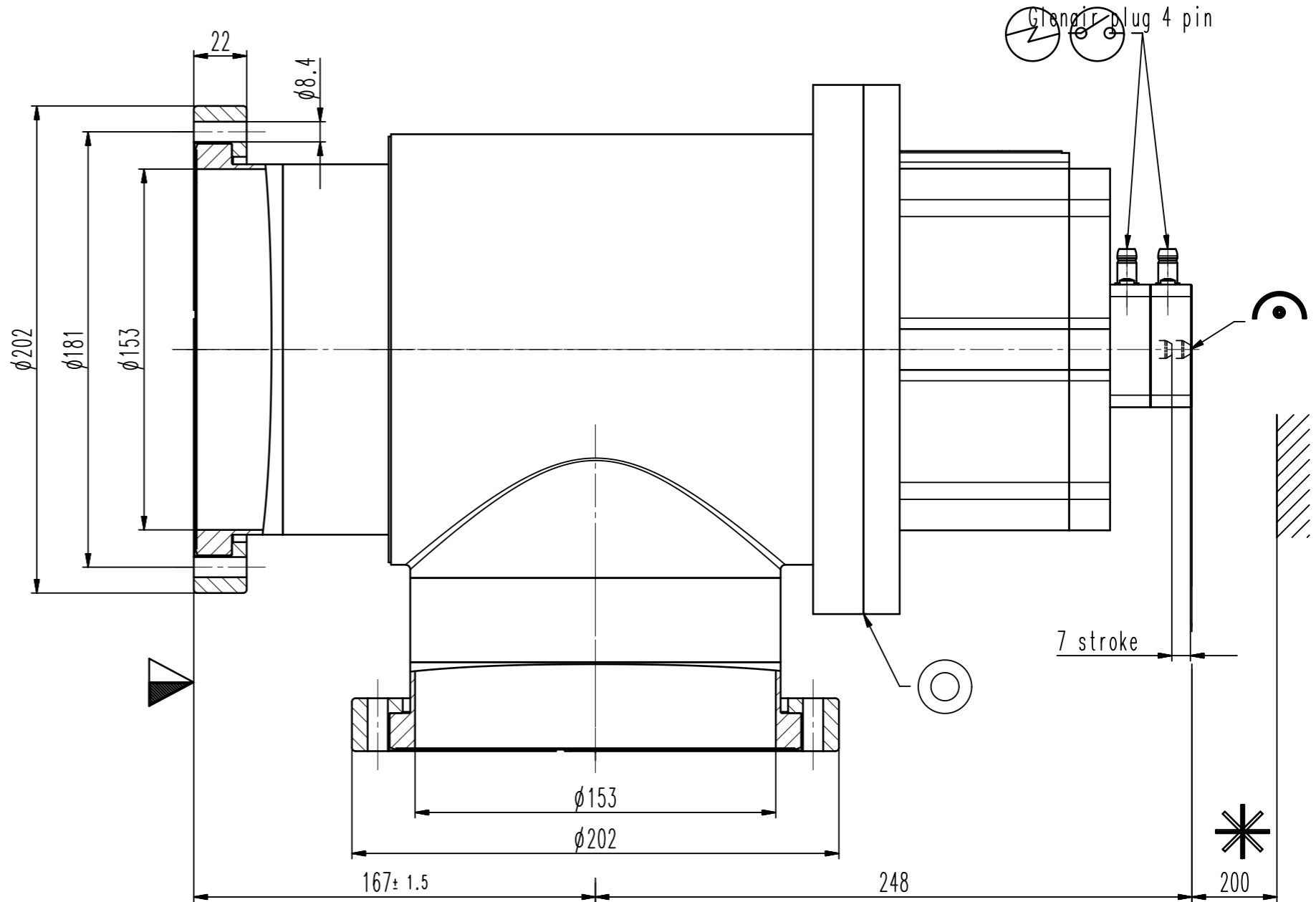
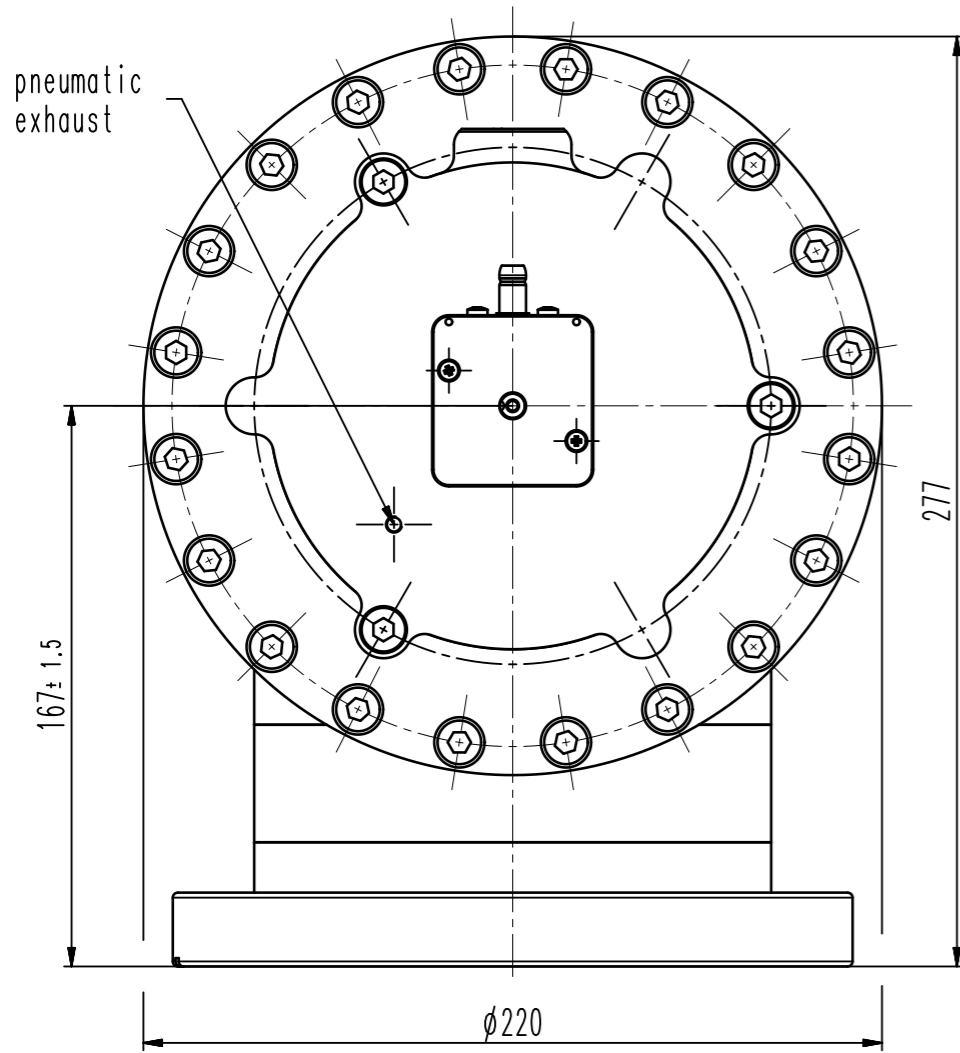


This drawing is the property of VAT.

Revision

Customer number



female  
1/8" ISO/NPT  
4.5-7 bar

- ▼ Seat side
- Comp. air connection
- ⊕ Electrical connection
- ⊖ Leak detection port
- ⊙ Mech. pos. indication
- ⊙ Position indicator
- ⊙ \* Required for dismantling
- ⊙ Emergency actuation
- ⊙ For attachment
- ⊙ Bake-out area
- ⊙ Differential pumping port

### UHV angle valve

product: valve type ITER 22;



VAT Vakuumventile AG

CH-9469 Haag, Switzerland  
Tel ++41 81 7716161 Fax ++41 81 7714830

Rev.-Date: 05.10.18

Visa: GOED

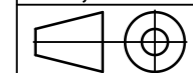
Series

284

Ordering No.

28444-GE21-CVK1

Projection E



DN

160

Flange

CF-R

Dimensional Drawing

956290

Rev.

VAT/DA