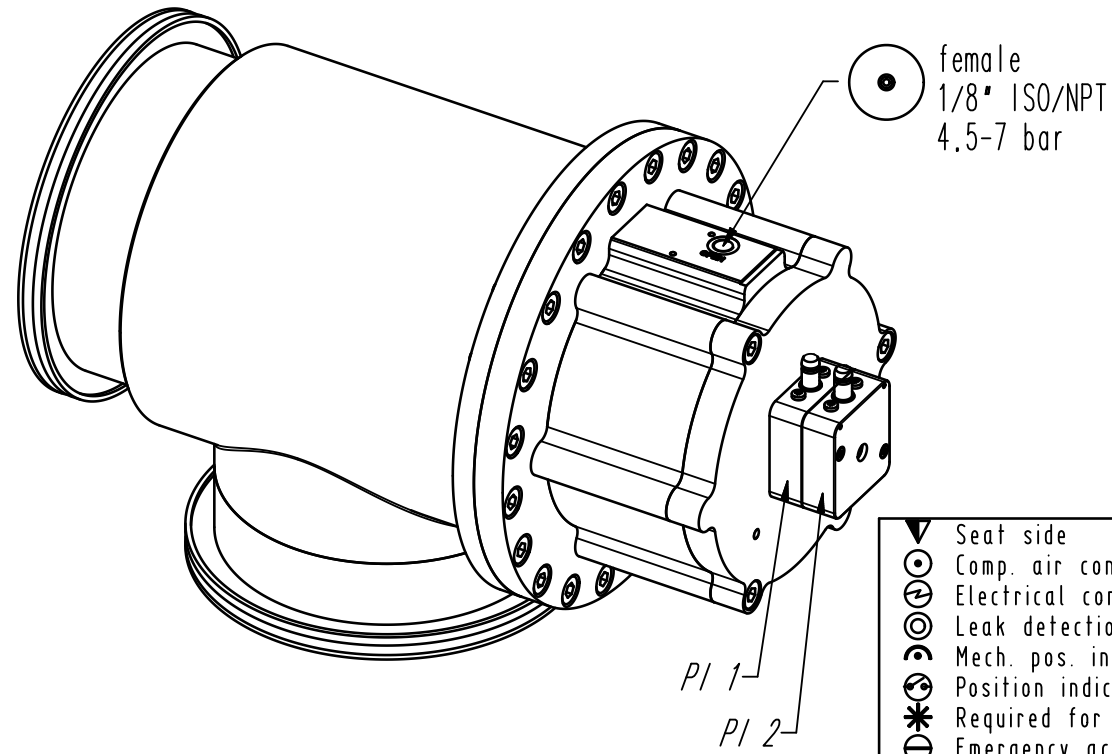
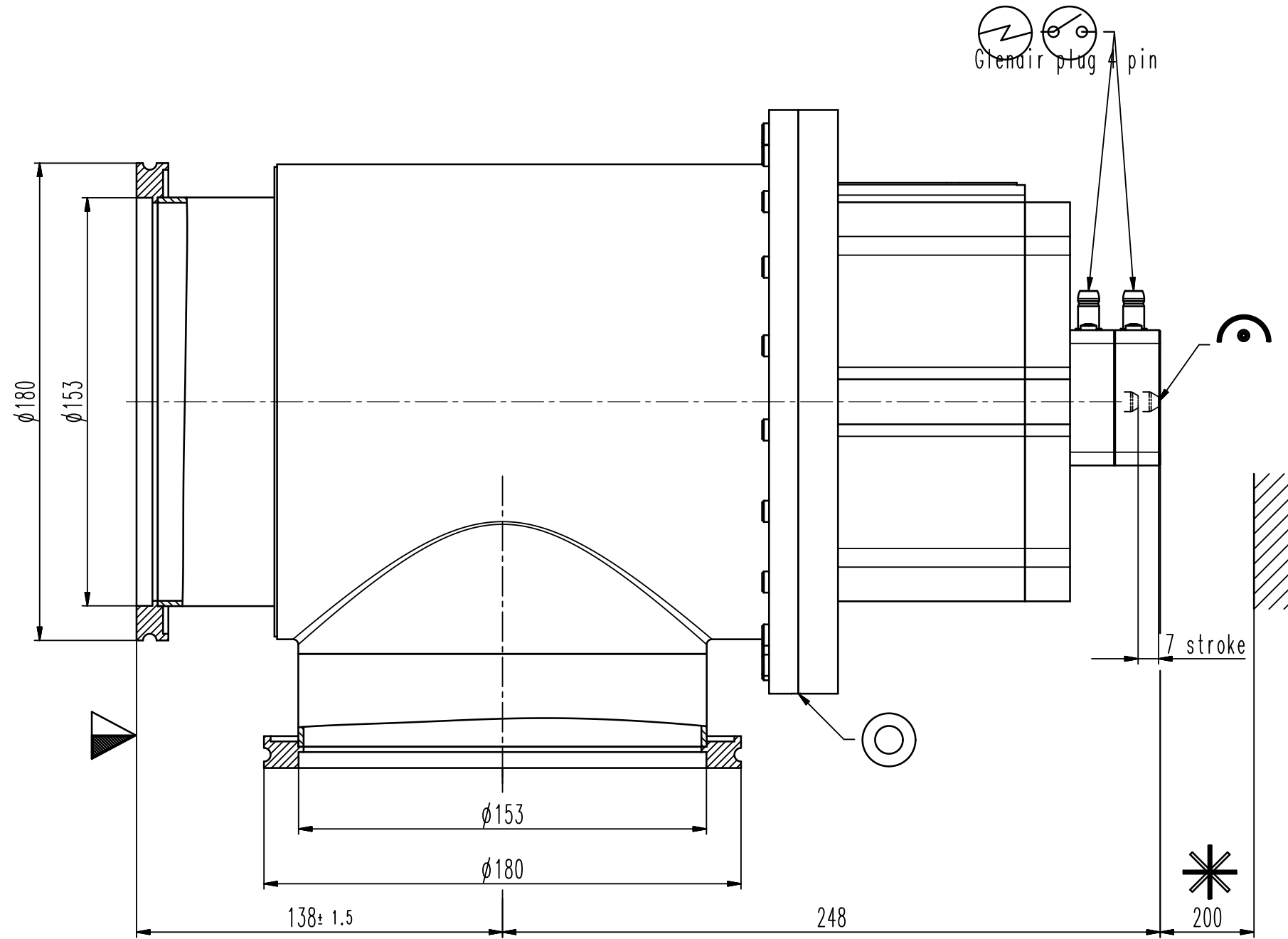
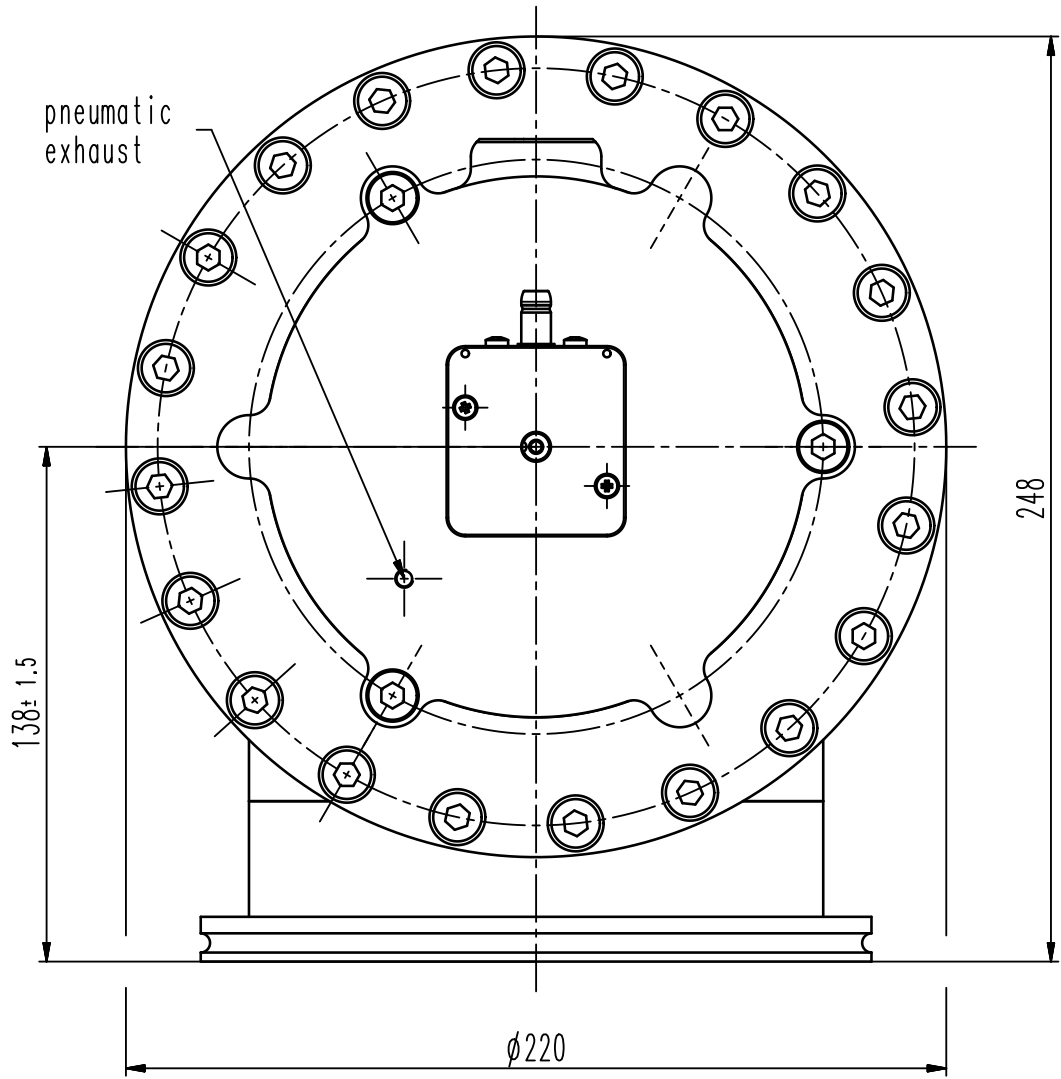


This drawing is the property of VAT.

Revision

Customer number



- ▶ Seat side
- Comp. air connection
- Electrical connection
- Leak detection port
- Mech. pos. indication
- Position indicator
- \* Required for dismantling
- Emergency actuation
- For attachment
- Bake-out area
- Differential pumping port

**UHV angle valve**  
 product: valve type ITER 22;

**VAT** Vakuumentile AG  
 CH-9469 Haag, Switzerland  
 Tel ++41 81 7716161 Fax ++41 81 7714830

Rev.-Date: 05.10.18  
 Visa: GOED

Series	284	Ordering No.	28444-QE21-CVK1
Projection E	DN	Flange	ISO-K
	160		
Dimensional Drawing	956292	Rev.	