



VAT Vakuumventile AG
CH-9469 Haag, Schweiz

Product data sheet

UHV angle valve
Series 284, DN 16 (ID 5/8")
Ordering No. 28424-KE08-CQS1

Description

Flange		ISO-KF 16
Actuator		Manual actuator – with position indicator
Feedthrough		Bellows
Options	CQS =	– Product: valve type ITER 25 – Gate: seal material EPDM – Position indicator: Glenair 4 pin connector; 120 °C

Technical data¹

Leak rate	– Valve body – Valve seat	$\leq 1 \cdot 10^{-8}$ mbar ls ⁻¹ $< 1 \cdot 10^{-8}$ mbar ls ⁻¹
Leak rate (accidental condition)	– Valve body – Valve seat	$\leq 1 \cdot 10^{-8}$ mbar ls ⁻¹ n/a
Pressure range		$1 \cdot 10^{-8}$ mbar to 1.5 bar (abs)
Differential pressure on the plate	– In either direction	≤ 1.5 bar
Differential pressure at opening		≤ 1 bar
Conductance (molecular flow)		5 ls ⁻¹
Cycles until first service (tested at room temp. under clean and static vacuum conditions)		10'000
Temperature (Maximum values: depending on operating conditions and sealing materials)	– Valve body – Hand wheel – Position indicator	≤ 150 °C ≤ 120 °C ≤ 120 °C
Material	– Valve body – Actuator – Hand wheel ² – Plate – Bellows	AISI 304 (1.4301) Aluminum Plastic AISI 316L (1.4404) AISI 316L (1.4404, 1.4435) AISI 316 Ti (1.4571)
Seal	– Bonnet seal – Plate O-ring	Metal EPDM
Weight		0.5 kg / 1.10 lbs
Mounting position		any
Radiation resistance		10^6 Gy (10^8 rad)
Maximum magnetic field levels		≤ 150 mT
Assembly cleanliness level		ISO Class 8

¹ Values according technical specification D_R8752R v.1.1

² Removable

Created by: GARM	Release date: 18.02.2019	1/2
Modified by: Phil Schneider	Release date: 15.02.2021	892884EA



VAT Vakuumventile AG
CH-9469 Haag, Schweiz

Product data sheet

UHV angle valve
Series 284, DN 16 (ID 5/8")
Ordering No. 28424-KE08-CQS1

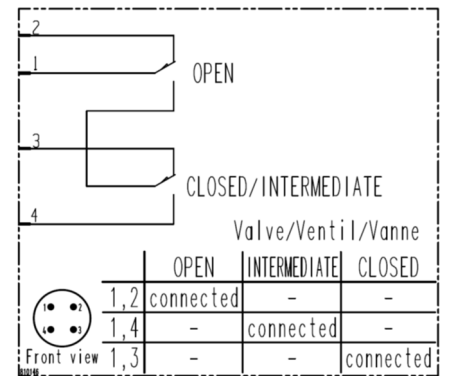
Related documents

Dimensional drawing No. 881643
STEP file No. 881642

Electrical connections

Position indicator

Type Micro switch
Voltage ≤ 50 V AC / DC
Current 5 – 100 mA
Short circuit protected No
Connector on the valve: 8070-2530-02Z16-4GA
Mating connector:* 8070-3039-01Z16-4KA
(pins compatible with AWG 20 wire)



Wiring diagram

*The mating connector is not part of the valve and needs to be ordered separately at Glenair.

Created by: GARM	Release date: 18.02.2019	2/2
Modified by: Phil Schneider	Release date: 15.02.2021	892884EA