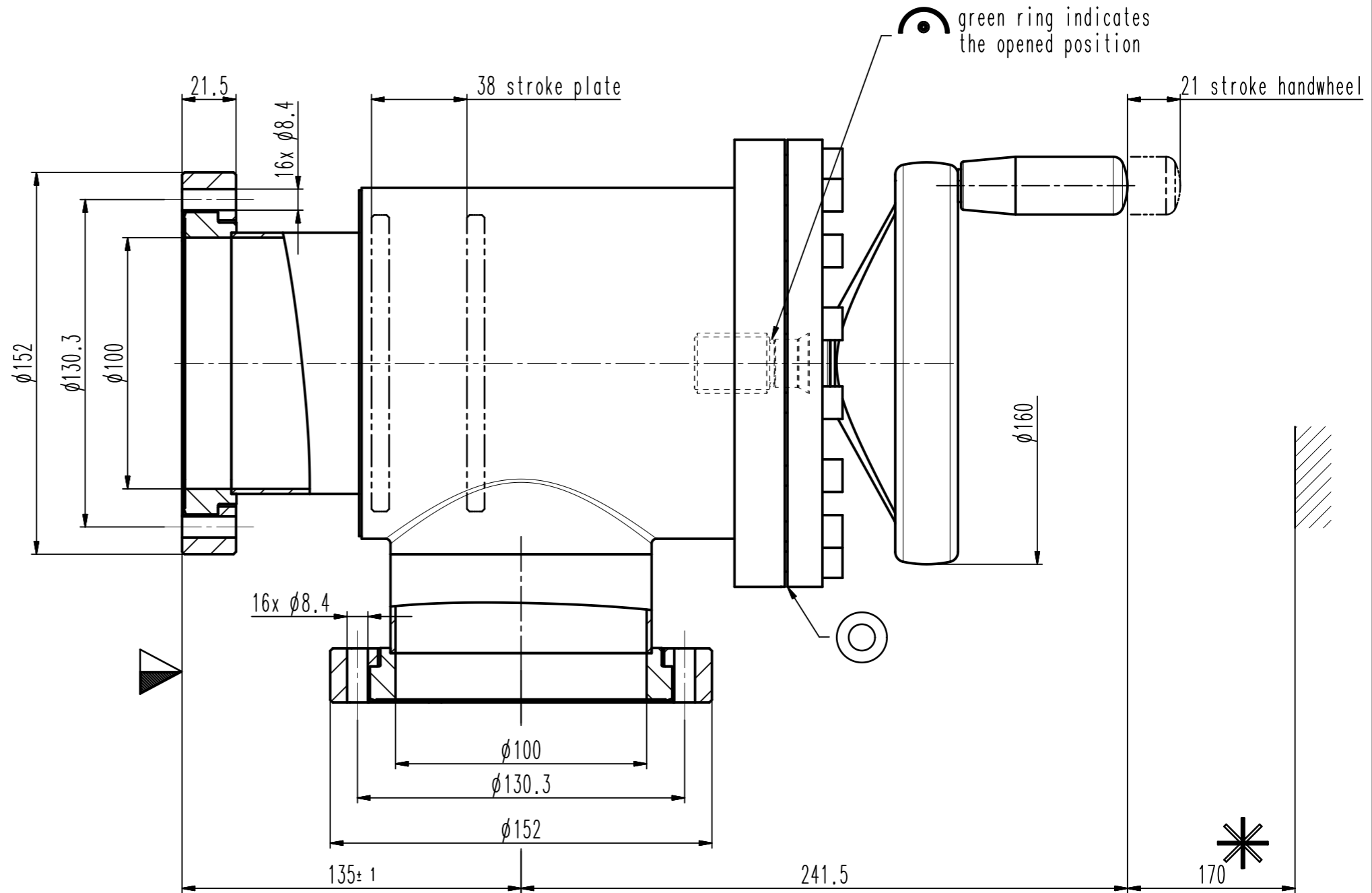
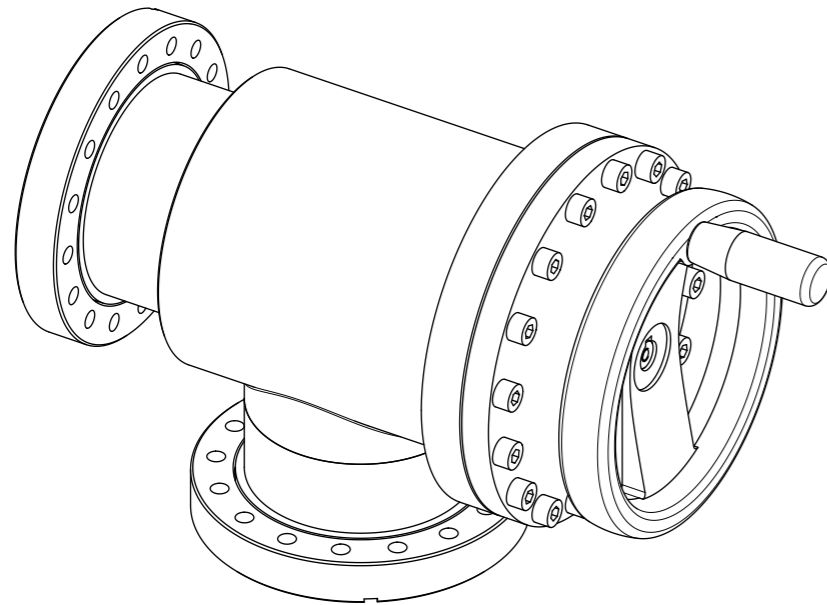
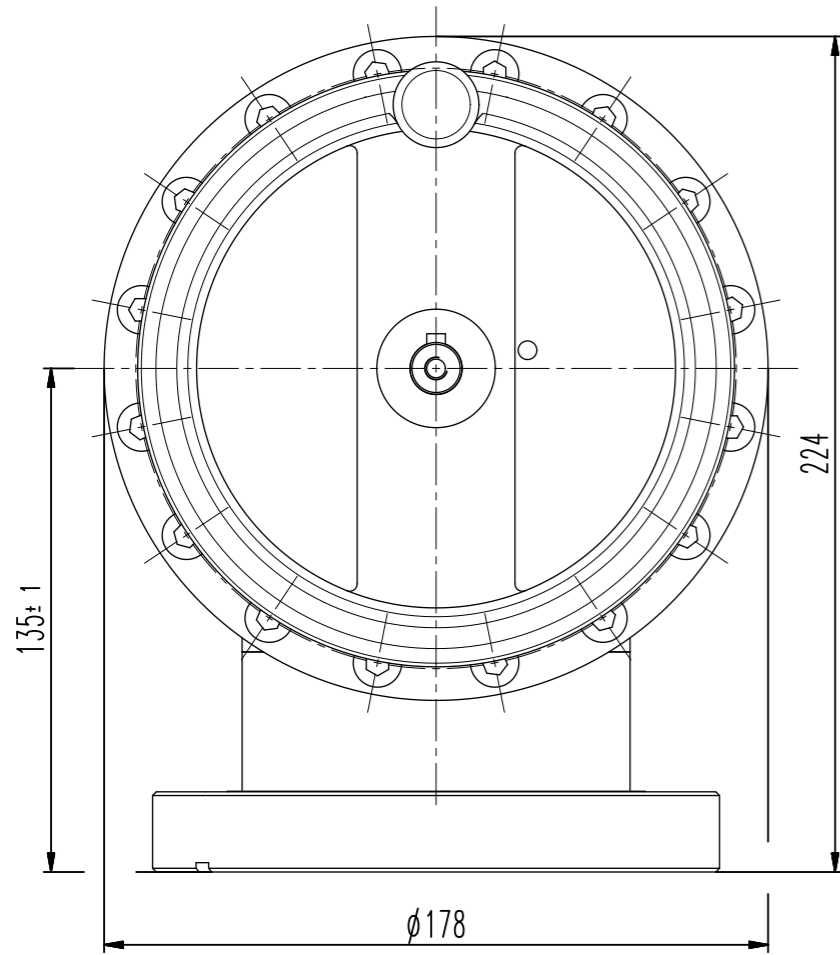


This drawing is the property of VAT.

Revision

Customer number



- ▼ Seat side
- ⊙ Comp. air connection
- ⊙ Electrical connection
- ⊙ Leak detection port
- ⊙ Mech. pos. indication
- ⊙ Position indicator
- ⊙ Required for dismantling
- ⊙ Emergency actuation
- ⊙ For attachment
- ⊙ Bake-out area
- ⊙ Differential pumping port

### UHV angle valve

product: valve type ITER 25;



VAT Vakuumventile AG

CH-9469 Haag, Switzerland  
Tel ++41 81 7716161 Fax ++41 81 7714830

Rev.-Date: 11.05.17

Visa: RIA

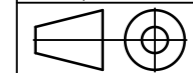
Series

284

Ordering No.

28440-GE01-CQS1

Projection E



DN

100

Flange

CF-R

Dimensional Drawing

862106

Rev.

A

VAT/DA