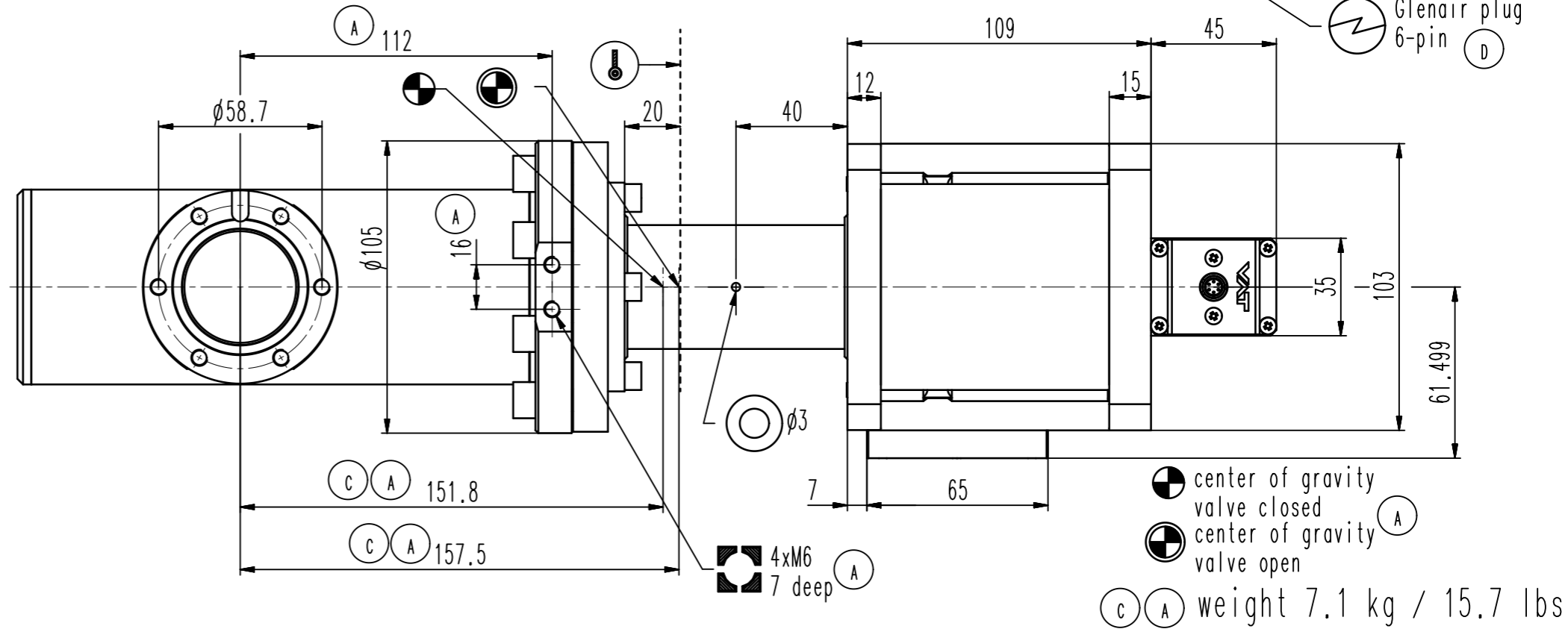
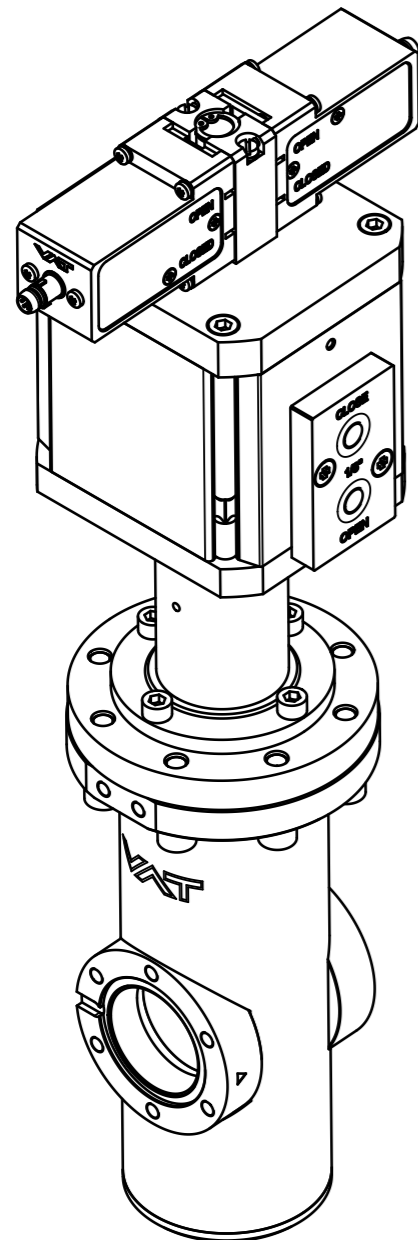
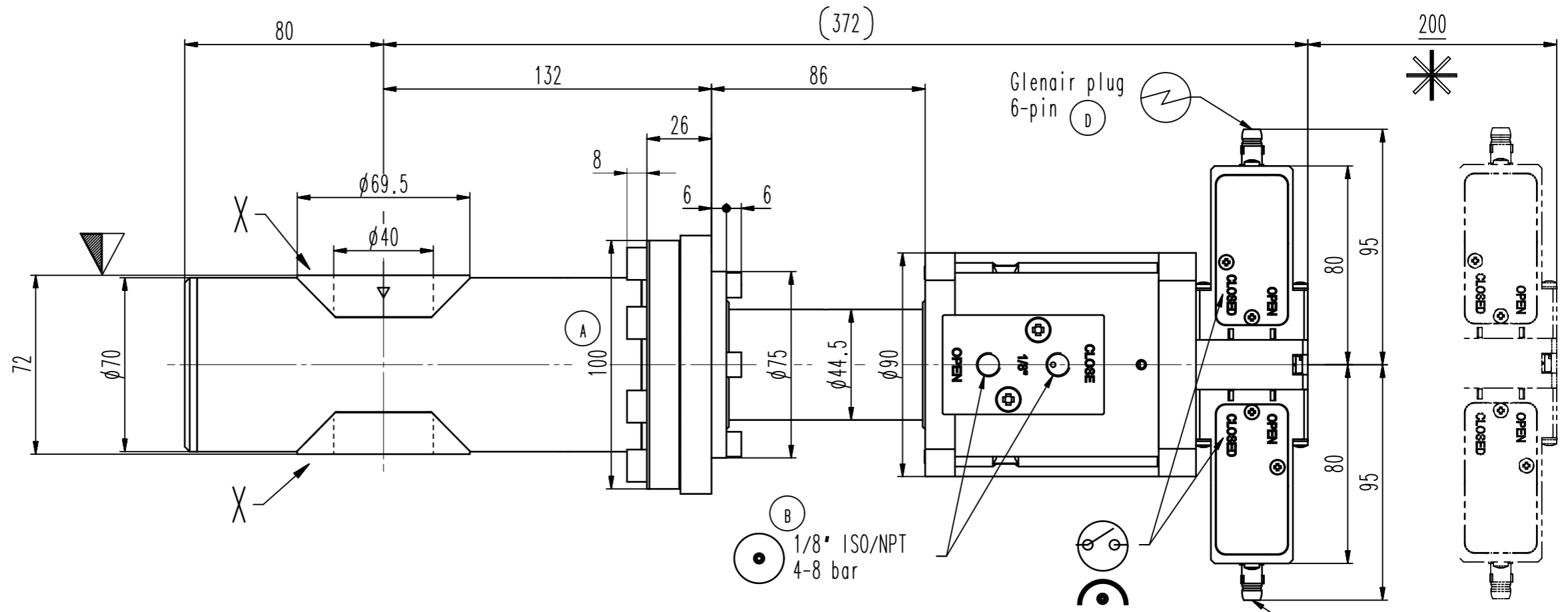
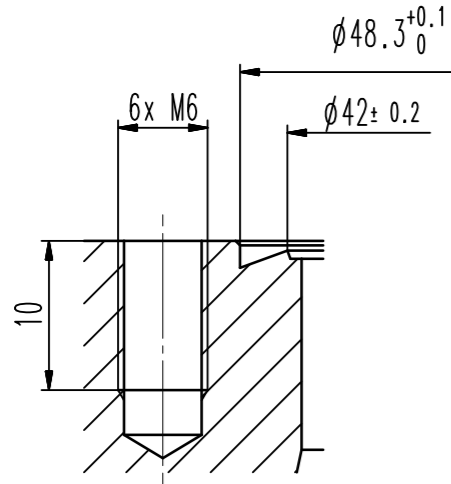


DETAIL X



- ▼ Seat side
- ⊙ Comp. air connection
- ⊙ Electrical connection
- ⊙ Leak detection port
- ⊙ Mech. pos. indication
- ⊙ Position indicator
- ⊙ Required for dismantling
- ⊙ Emergency actuation
- ⊙ For attachment
- ⊙ Bake-out area
- ⊙ Differential pumping port

All-metal gate valve

product: valve type ITER 2;



VAT Vakuumventile AG

CH-9469 Haag, Switzerland  
Tel ++41 81 7716161 Fax ++41 81 7714830

Rev.-Date: 25.05.20

Visa: MAT

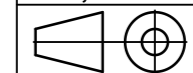
Series

481

Ordering No.

48132-CE24-APW1

Projection E



DN

40

Flange

CF-F m

Dimensional Drawing

749367

Rev.

D