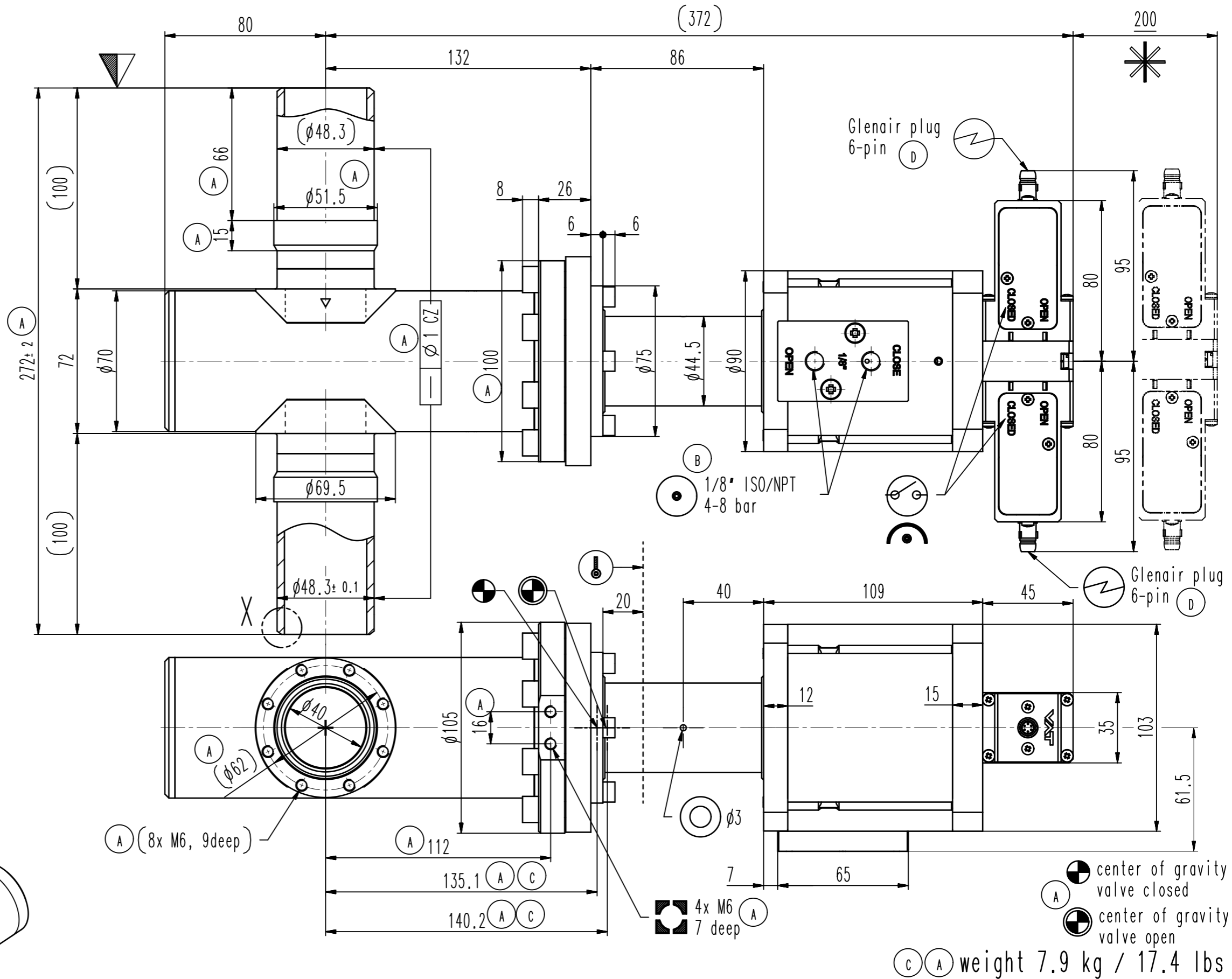
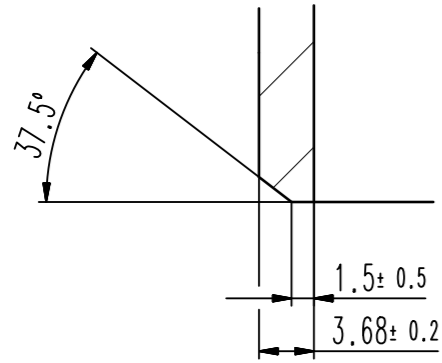


Detail X



(A) (8x M6, 9deep)

4x M6 (A) 7 deep

(C) (A) weight 7.9 kg / 17.4 lbs

center of gravity valve closed  
center of gravity valve open

- ▼ Seat side
- ⊙ Comp. air connection
- ⊙ Electrical connection
- ⊙ Leak detection port
- ⊙ Mech. pos. indication
- ⊙ Position indicator
- ⊙ Required for dismantling
- ⊙ Emergency actuation
- ⊙ For attachment
- ⊙ Bake-out area
- ⊙ Differential pumping port

**All-metal gate valve**  
 product: valve typ ITER 2; flange A+B; ; weld stub flange:  
 Scheduel No. 40S;

**VAT** VAT Vakuumventile AG  
 CH-9469 Haag, Switzerland  
 Tel ++41 81 7716161 Fax ++41 81 7714830

Rev.-Date: 25.05.20  
 Visa: MAT

Series	481	Ordering No.	48132-RE24-ARL1
Projection E	DN	Flange	R
	40		
Dimensional Drawing	749790	Rev.	D