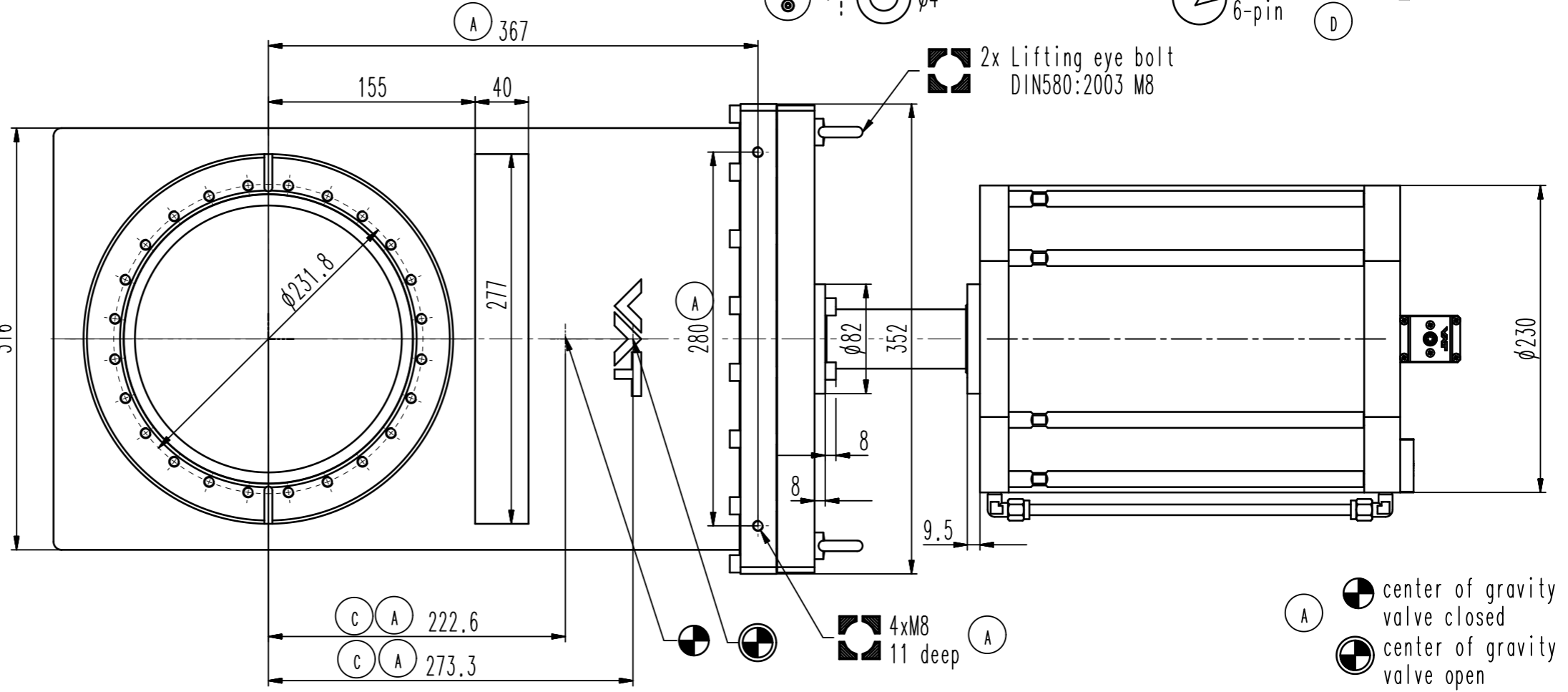
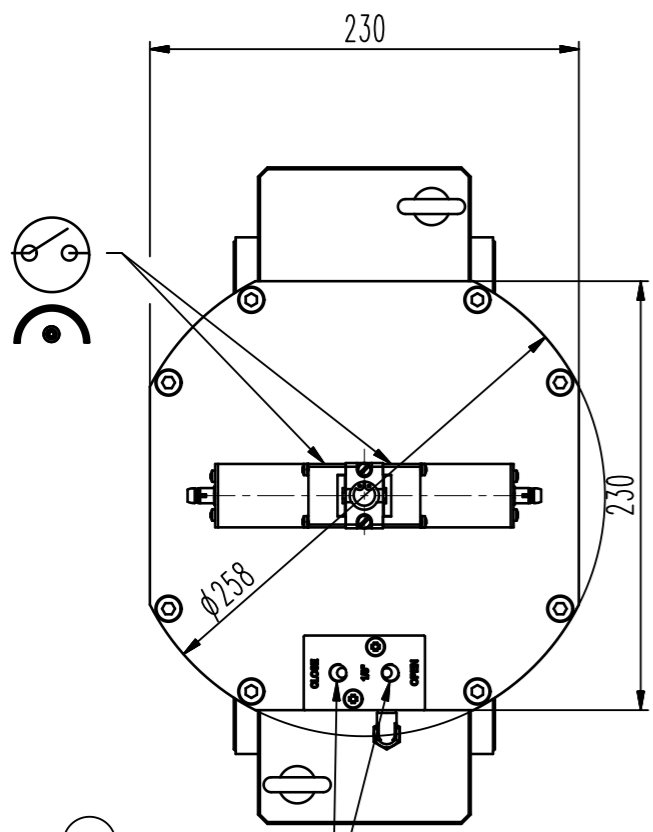
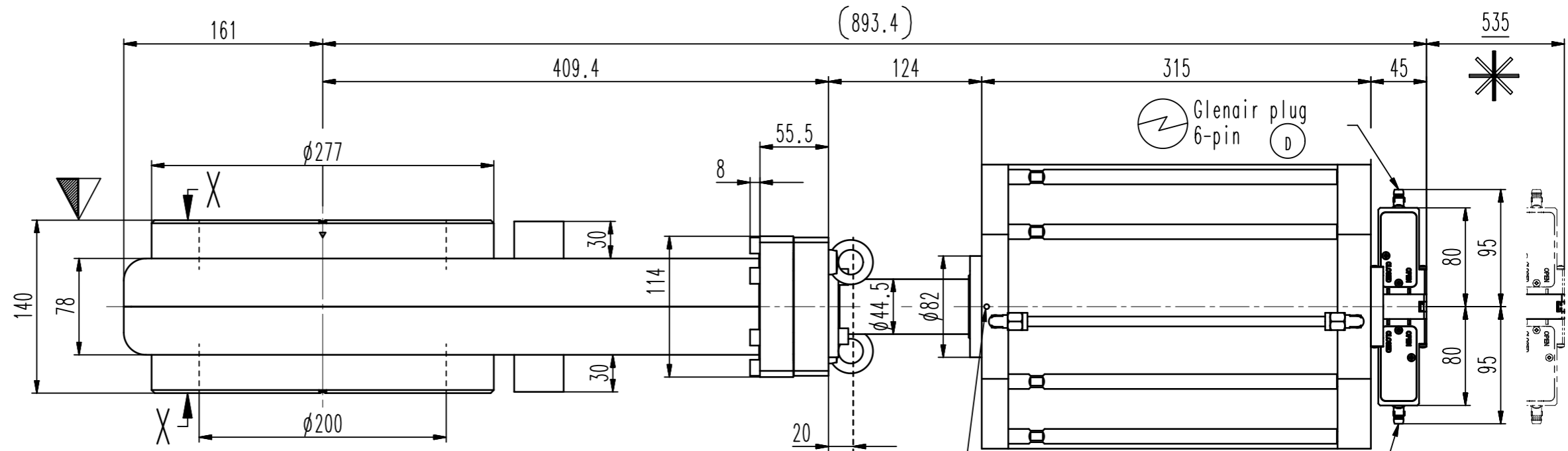
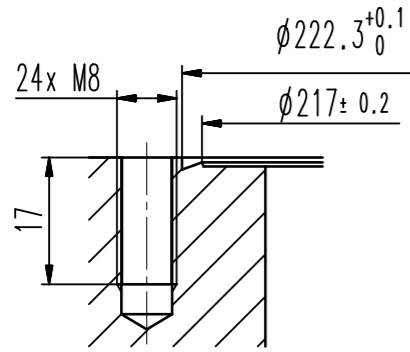


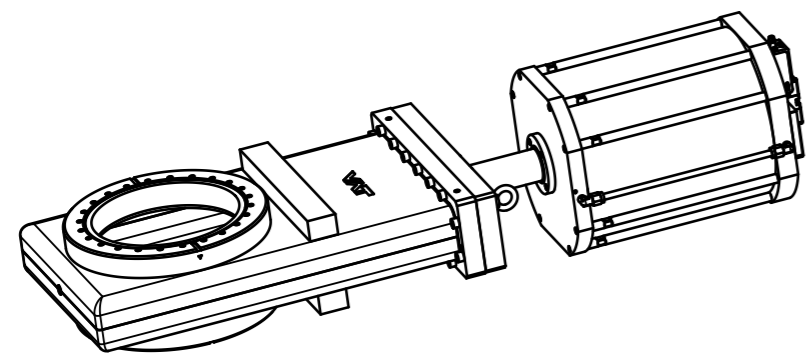
Detail X



B  
1/8" ISO/NPT  
4-8 bar

A center of gravity valve closed  
B center of gravity valve open

C A weight 86.3 kg / 190,3 lbs



- ▼ Seat side
- ⊙ Comp. air connection
- ⊙ Electrical connection
- ⊙ Leak detection port
- ⊙ Mech. pos. indication
- ⊙ Position indicator
- ⊙ Required for dismantling
- ⊙ Emergency actuation
- ⊙ For attachment
- ⊙ Bake-out area
- ⊙ Differential pumping port

All-metal gate valve

product: valve type ITER 2;



VAT Vakuumventile AG  
CH-9469 Haag, Switzerland  
Tel ++41 81 7716161 Fax ++41 81 7714830

Rev.-Date: 27.05.20  
Visa: MAT

Series	481	Ordering No.	48146-CE24-APW1
Projection E	DN	Flange	
	200	CF-F m	
Dimensional Drawing		750086	Rev. D