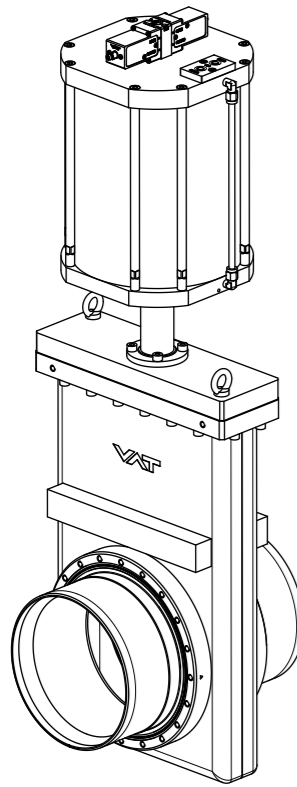
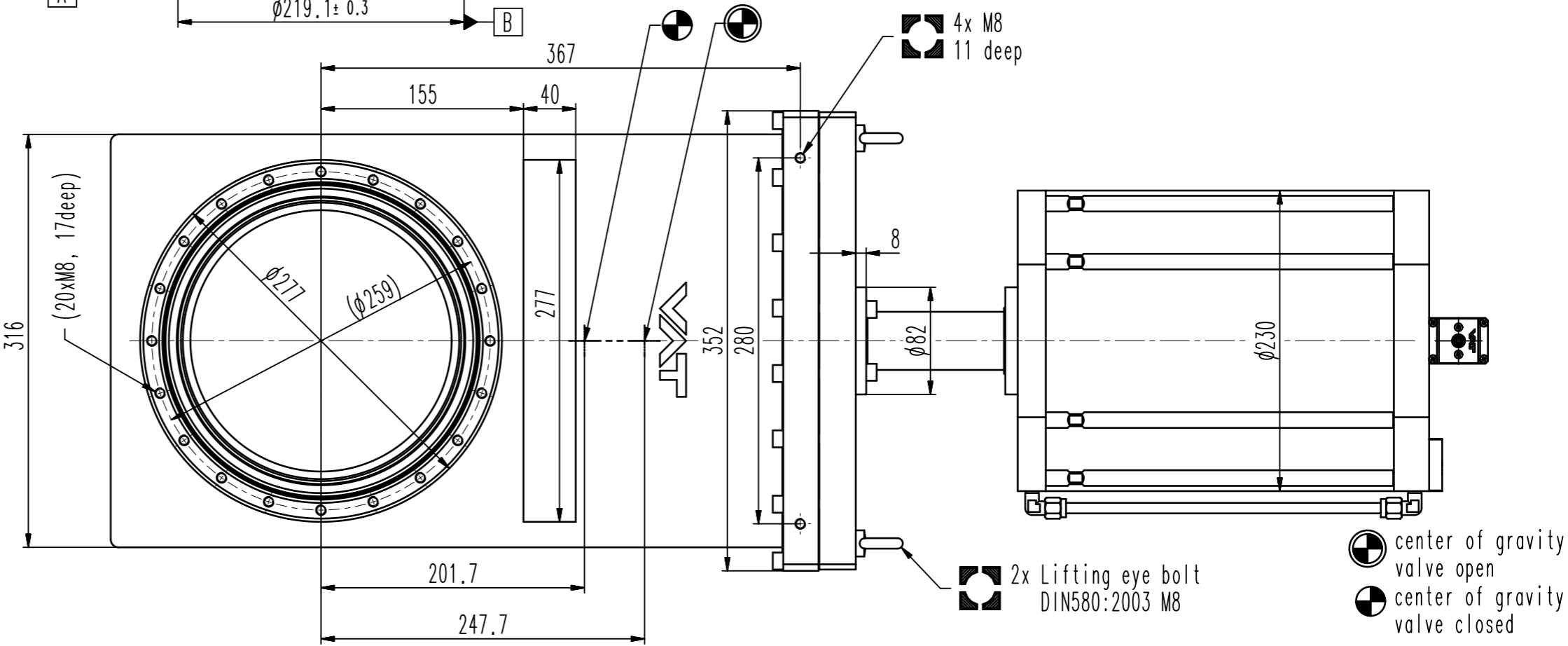
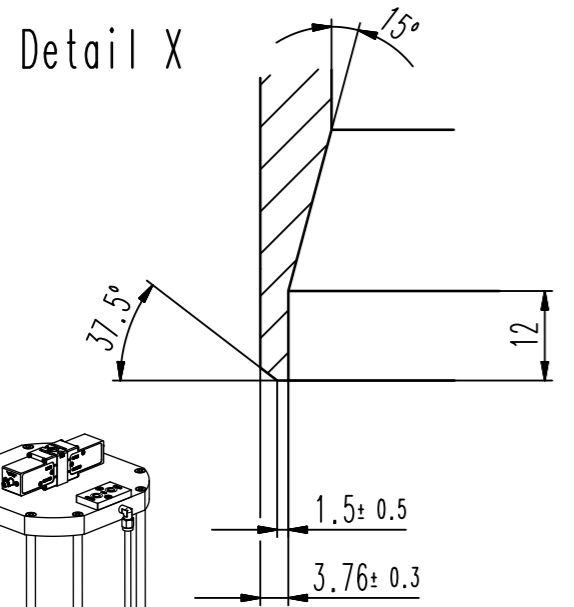
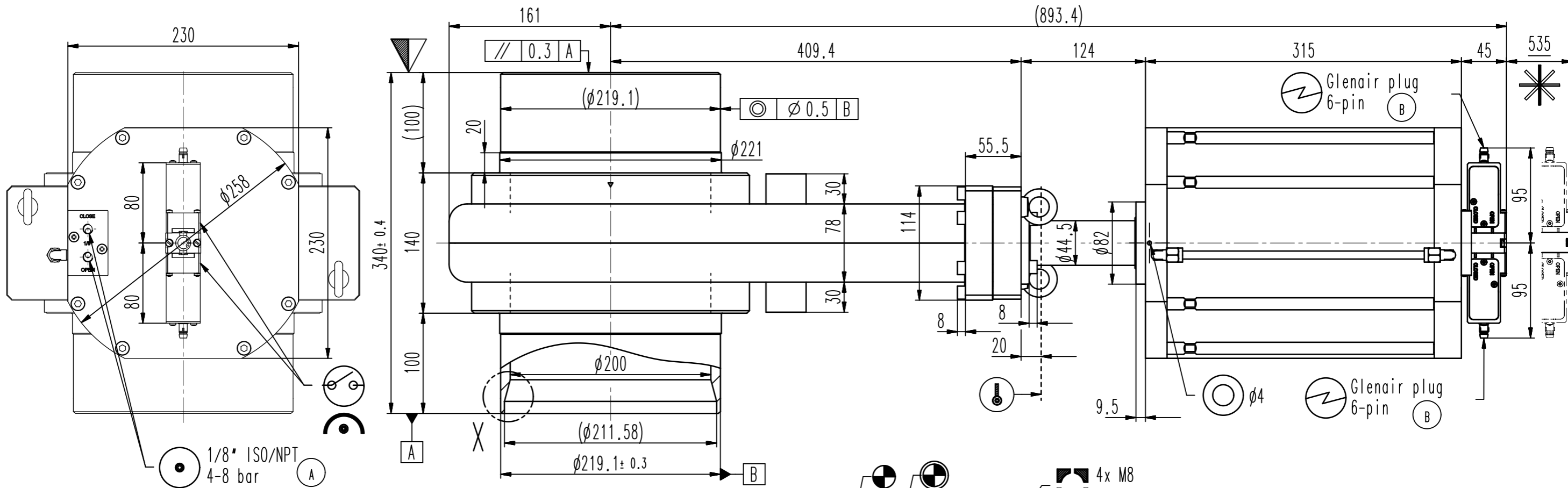


This drawing is the property of VAT.

Revision

Customer number



center of gravity valve open
 center of gravity valve closed
 weight 95.4 kg / 210.3 lbs

- Seat side
- Comp. air connection
- Electrical connection
- Leak detection port
- Mech. pos. indication
- Position indicator
- Required for dismantling
- Emergency actuation
- For attachment
- Bake-out area
- Differential pumping port

All-metal gate valve
 product: valve typ ITER 2; flange A+B; ; weld stub flange:
 Scheduel No. 10S;

VAT Vakuumentile AG
 CH-9469 Haag, Switzerland
 Tel ++41 81 7716161 Fax ++41 81 7714830

Rev.-Date: 27.05.20
 Visa: MAT

Series	481	Ordering No.	48146-RE24-ARJ1
Projection E	DN	Flange	R
	200		
Dimensional Drawing	826829	Rev.	B