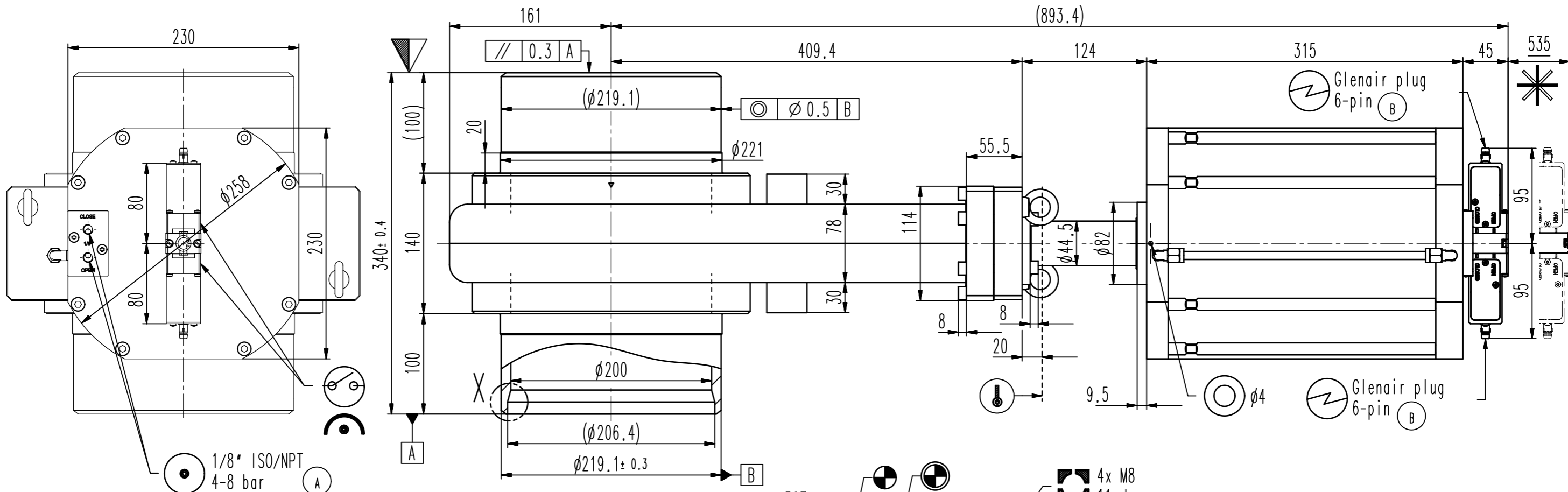


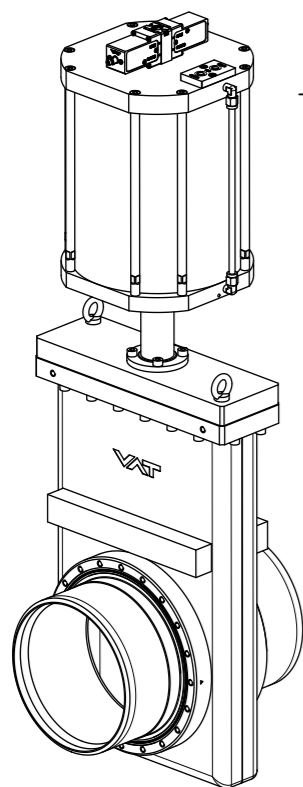
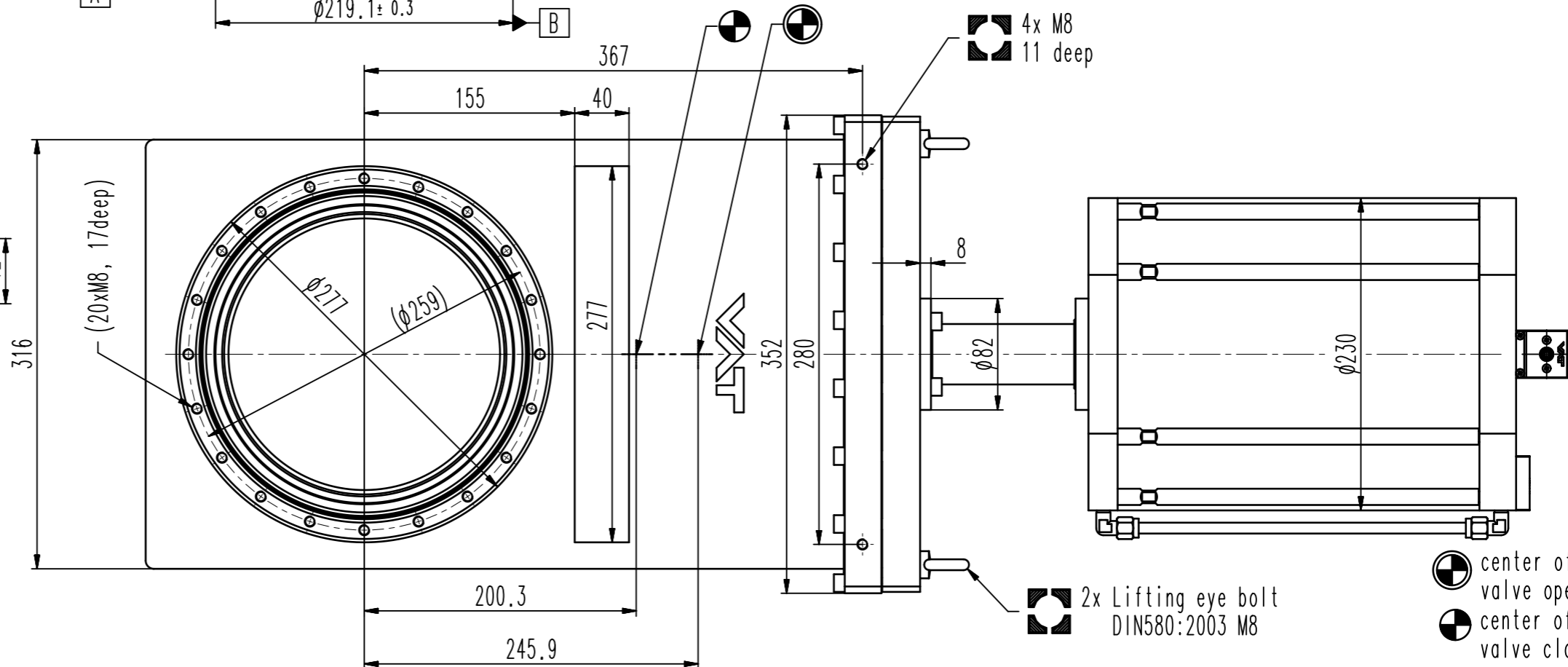
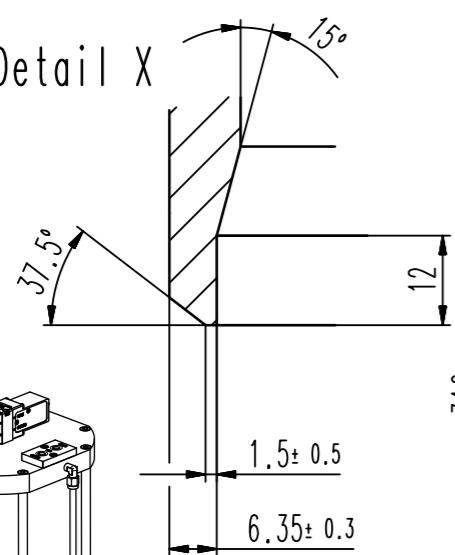
This drawing is the property of VAT.

Revision

Customer number



Detail X



weight 96.1 kg / 211.9 lbs

- ▼ Seat side
- ⊙ Comp. air connection
- ⊙ Electrical connection
- ⊙ Leak detection port
- ⊙ Mech. pos. indication
- ⊙ Position indicator
- ⊙ Required for dismantling
- ⊙ Emergency actuation
- ⊙ For attachment
- ⊙ Bake-out area
- ⊙ Differential pumping port

All-metal gate valve
 product: valve typ ITER 2; flange A+B; ; weld stub flange:
 Scheduel No. 20S;

VAT VAT Vakuumventile AG
 CH-9469 Haag, Switzerland
 Tel ++41 81 7716161 Fax ++41 81 7714830

Rev.-Date: 27.05.20
 Visa: MAT

Series	481	Ordering No.	48146-RE24-ARK1
Projection E	DN	Flange	R
	200		
Dimensional Drawing	826767	Rev.	B