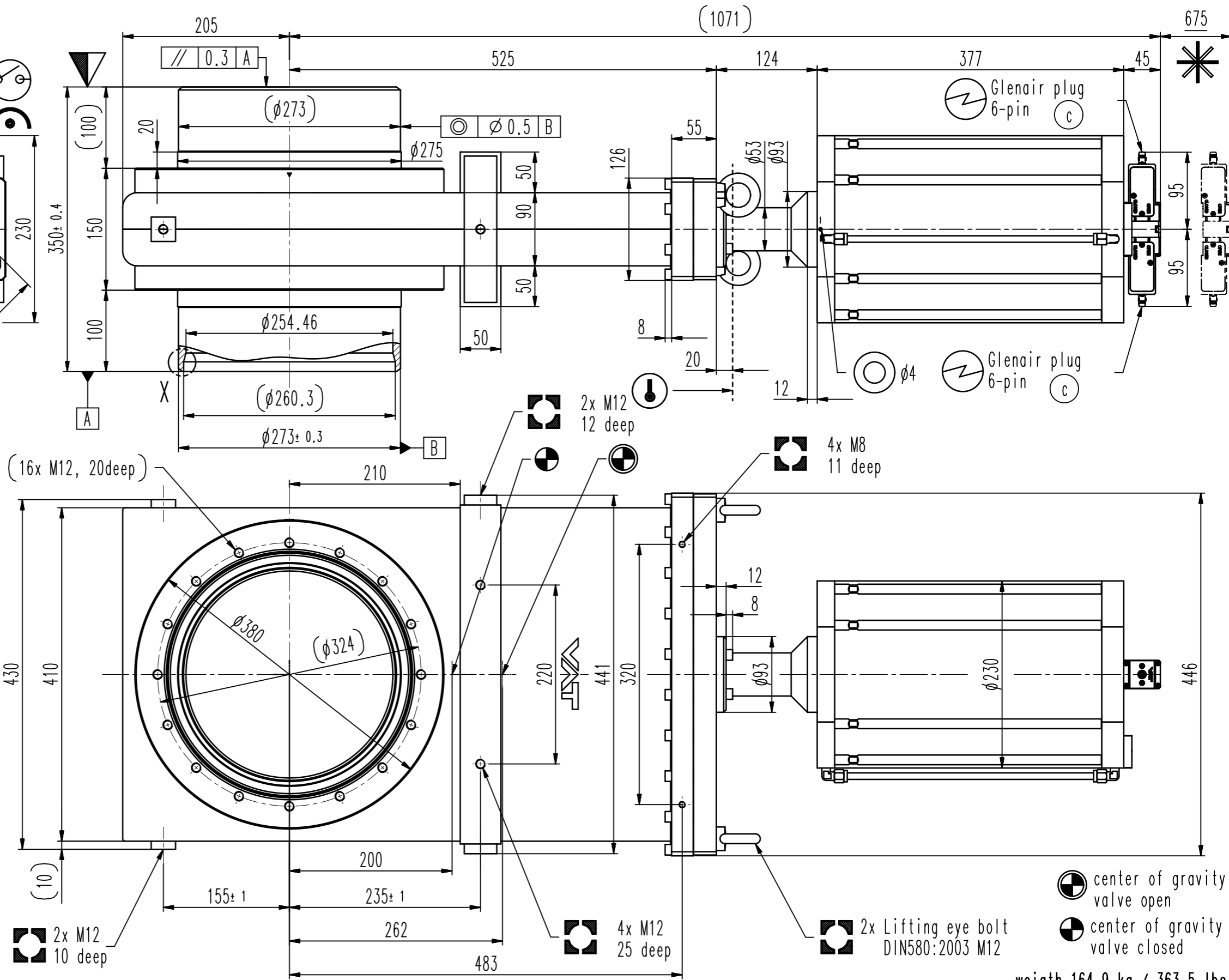
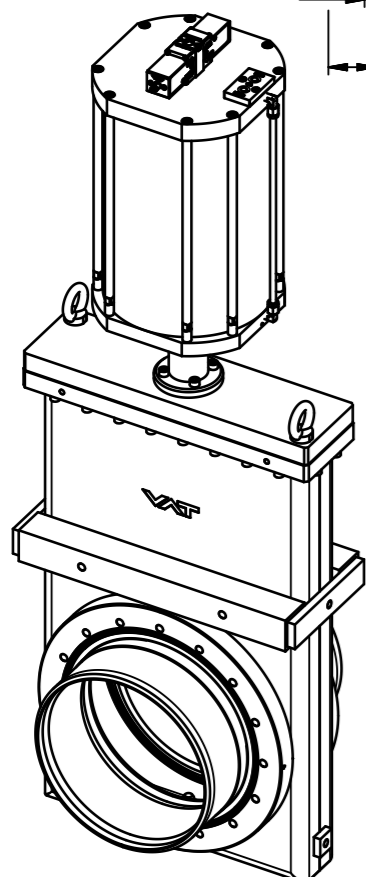
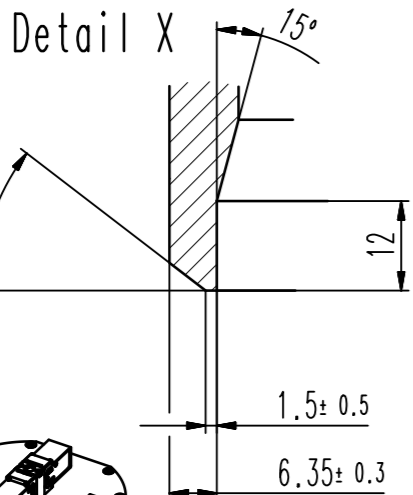
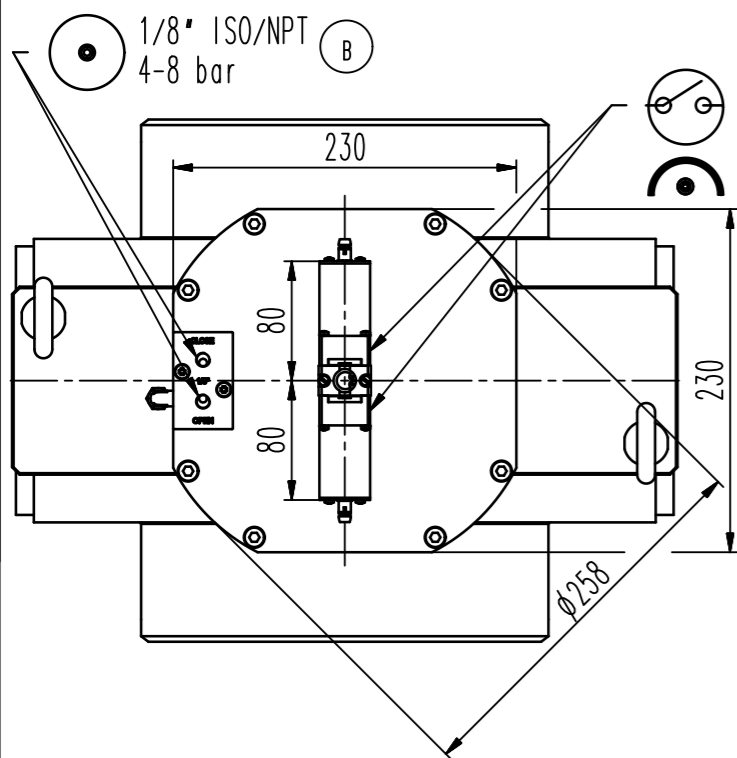


This drawing is the property of VAT.

Revision

Customer number



center of gravity valve open
center of gravity valve closed

weight 164.9 kg / 363.5 lbs

- ▽ Seat side
- ⊙ Comp. air connection
- ⊙ Electrical connection
- ⊙ Leak detection port
- ⊙ Mech. pos. indication
- ⊙ Position indicator
- ⊙ Required for dismantling
- ⊙ Emergency actuation
- ⊙ For attachment
- ⊙ Bake-out area
- ⊙ Differential pumping port

All-metal gate valve
product: valve typ ITER 2; flange A+B; ; weld stub flange:
Scheduel No. 20S;

VAT Vakuumentile AG
CH-9469 Haag, Switzerland
Tel ++41 81 7716161 Fax ++41 81 7714830

Rev.-Date: 28.05.20
Visa: MAT

Series	481	Ordering No.	48148-RE24-ARK1
Projection E	DN	Flange	R
	250		
Dimensional Drawing	825398	Rev.	C