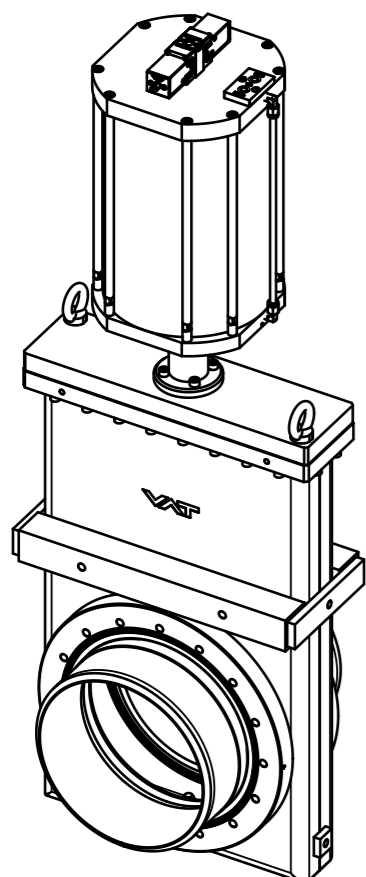
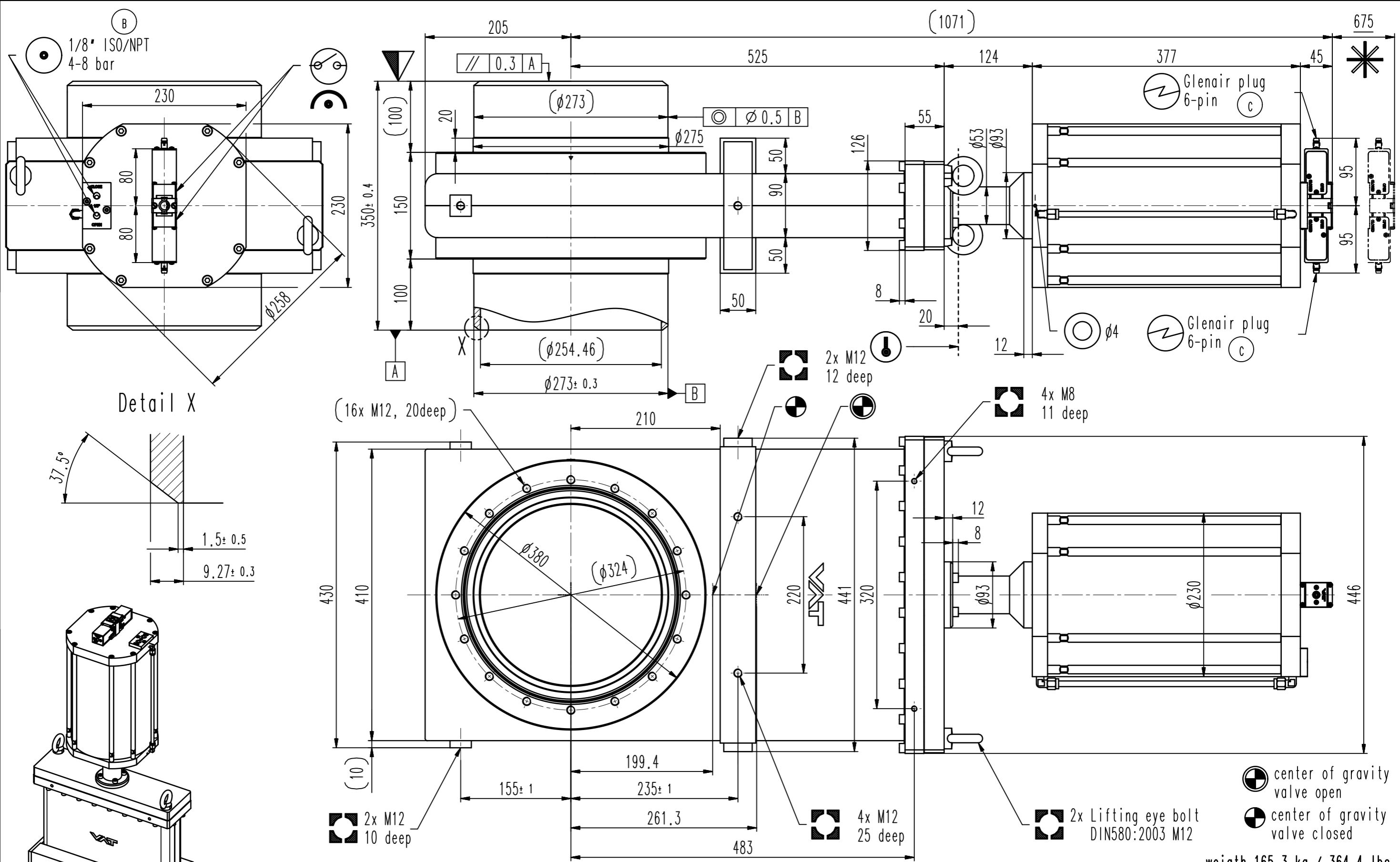


This drawing is the property of VAT.

Revision

Customer number



weight 165.3 kg / 364.4 lbs

- ▽ Seat side
- ⊙ Comp. air connection
- ⊙ Electrical connection
- ⊙ Leak detection port
- ⊙ Mech. pos. indication
- ⊙ Position indicator
- ⊙ Required for dismantling
- ⊙ Emergency actuation
- ⊙ For attachment
- ⊙ Bake-out area
- ⊙ Differential pumping port

**All-metal gate valve**  
 product: valve typ ITER 2; flange A+B; ; weld stub flange:  
 Scheduel No. 40S;

**VAT** VAT Vakuumventile AG  
 CH-9469 Haag, Switzerland  
 Tel ++41 81 7716161 Fax ++41 81 7714830

Rev.-Date: 28.05.20  
 Visa: MAT

Series	481	Ordering No.	48148-RE24-ARL1
Projection E	DN	Flange	R
	250		
Dimensional Drawing	824580	Rev.	C