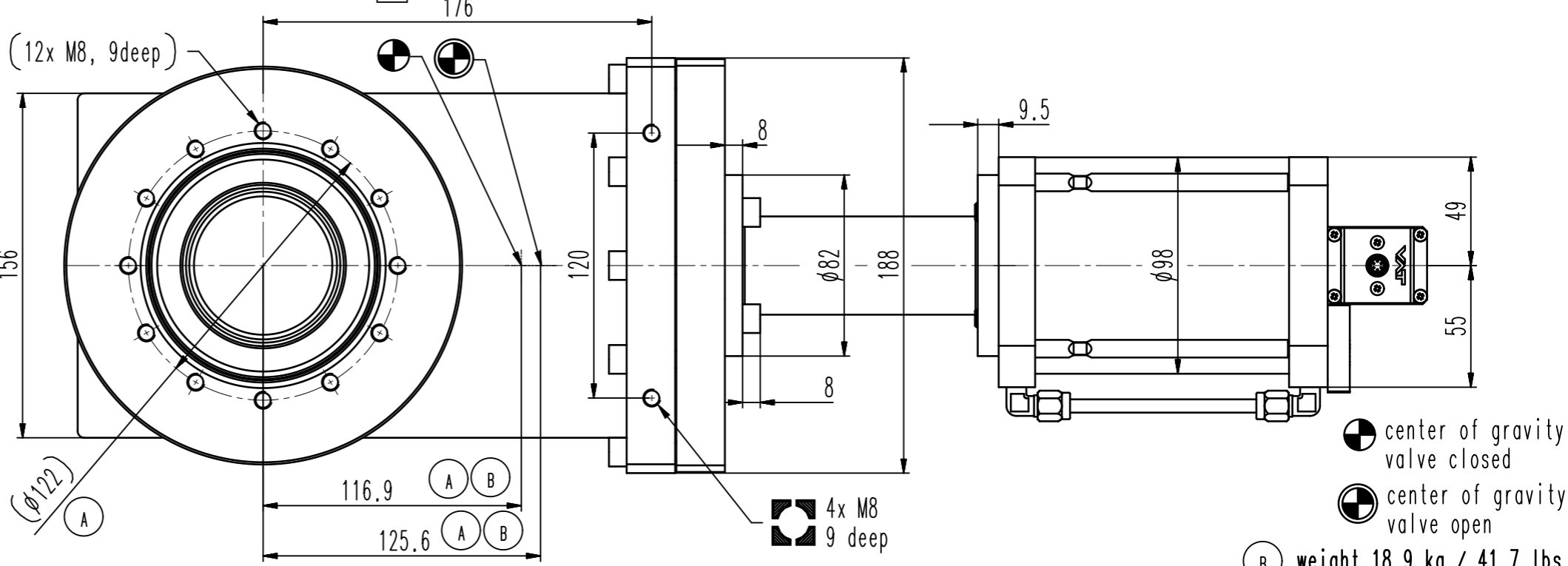
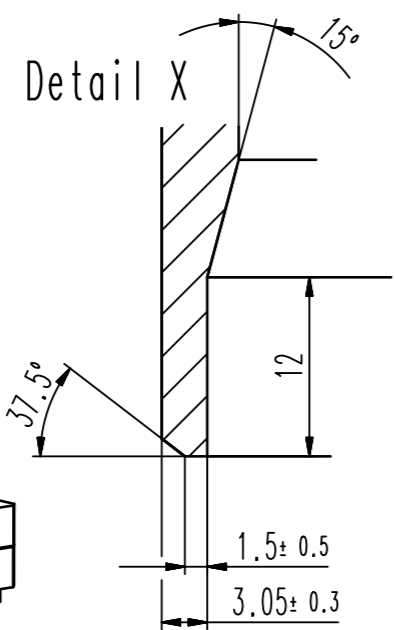
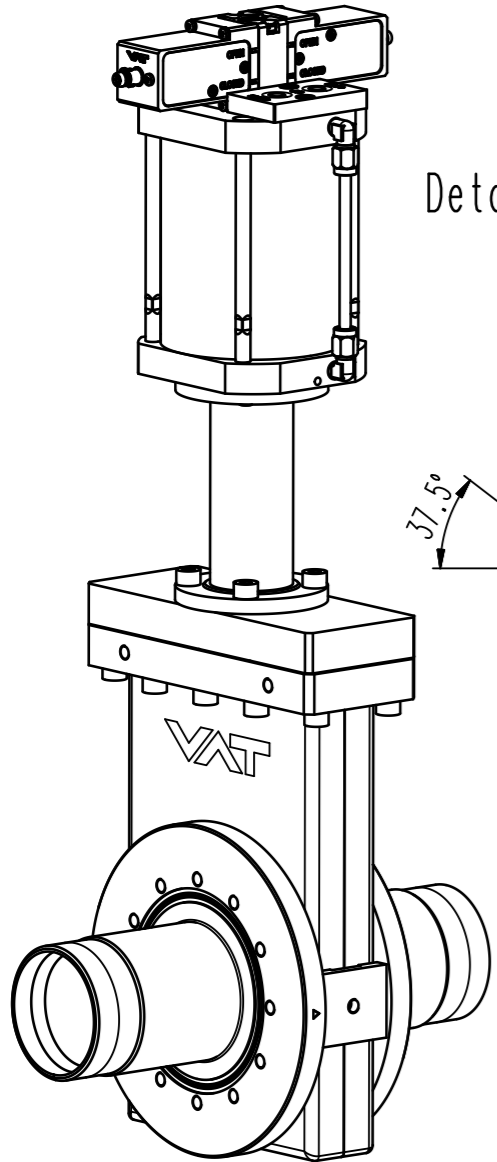
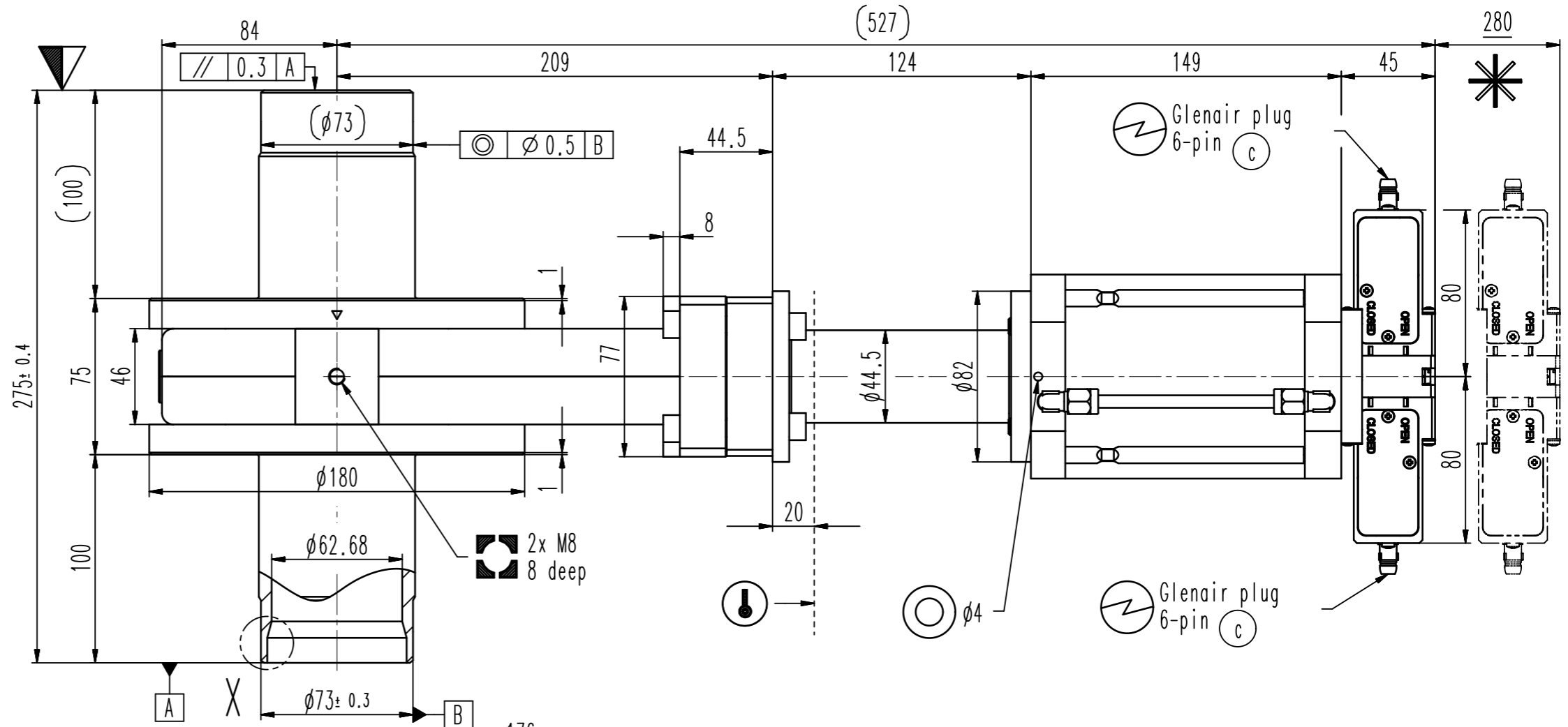
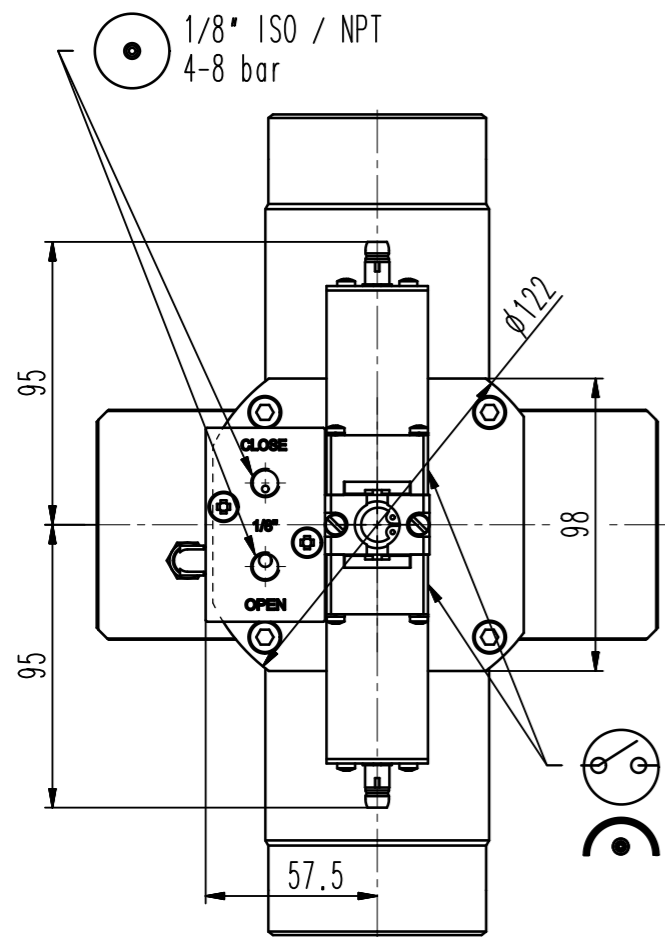


This drawing is the property of VAT.

Revision

Customer number



center of gravity valve closed  
 center of gravity valve open  
 (B) weight 18.9 kg / 41.7 lbs

- ▼ Seat side
- ⊙ Comp. air connection
- ⊕ Electrical connection
- ⊗ Leak detection port
- ⊖ Mech. pos. indication
- ⊙ Position indicator
- ✱ Required for dismantling
- ⊕ Emergency actuation
- ⊖ For attachment
- ⊙ Bake-out area
- ⊖ Differential pumping port

**All-metal gate valve**  
 product: valve typ ITER 2; flange A+B; ; weld stub flange:  
 Scheduel No. 10S;

**VAT** Vakuumentile AG  
 CH-9469 Haag, Switzerland  
 Tel ++41 81 7716161 Fax ++41 81 7714830

Rev.-Date: 25.05.20  
 Visa: MAT

Series	482	Ordering No.	48236-RE24-ARJ1
Projection E	DN	Flange	R
	63		
Dimensional Drawing	828382	Rev.	C