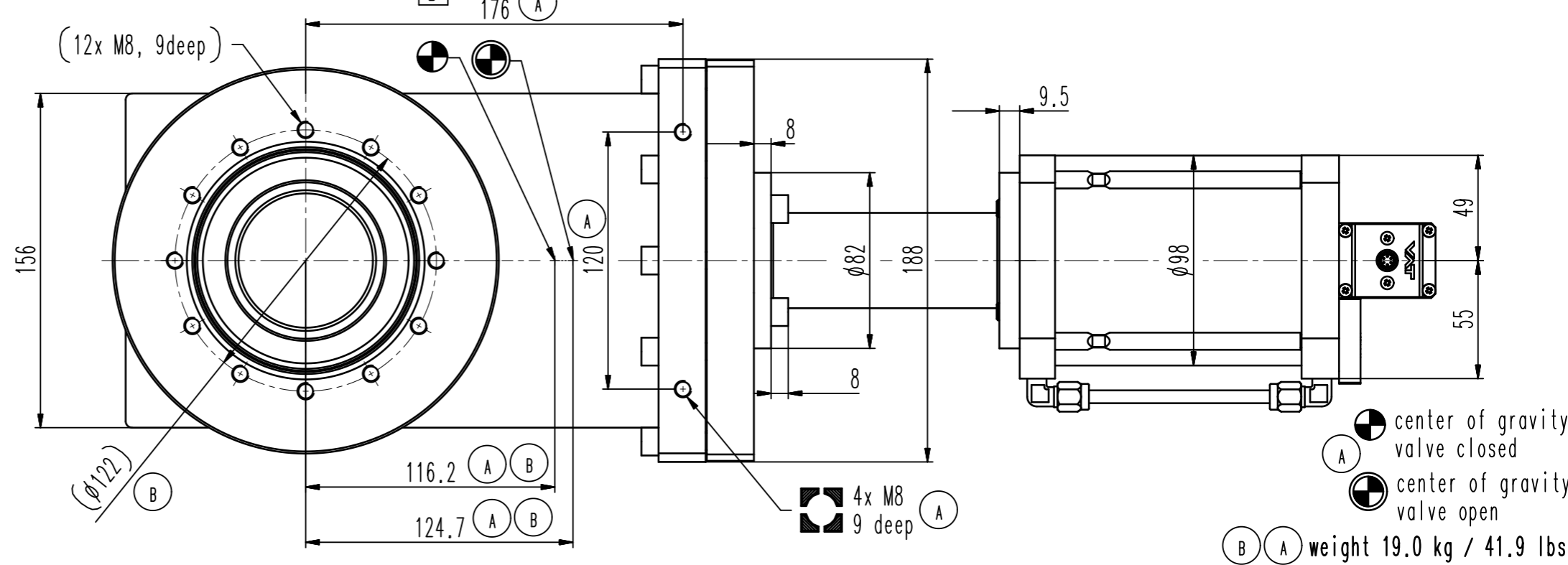
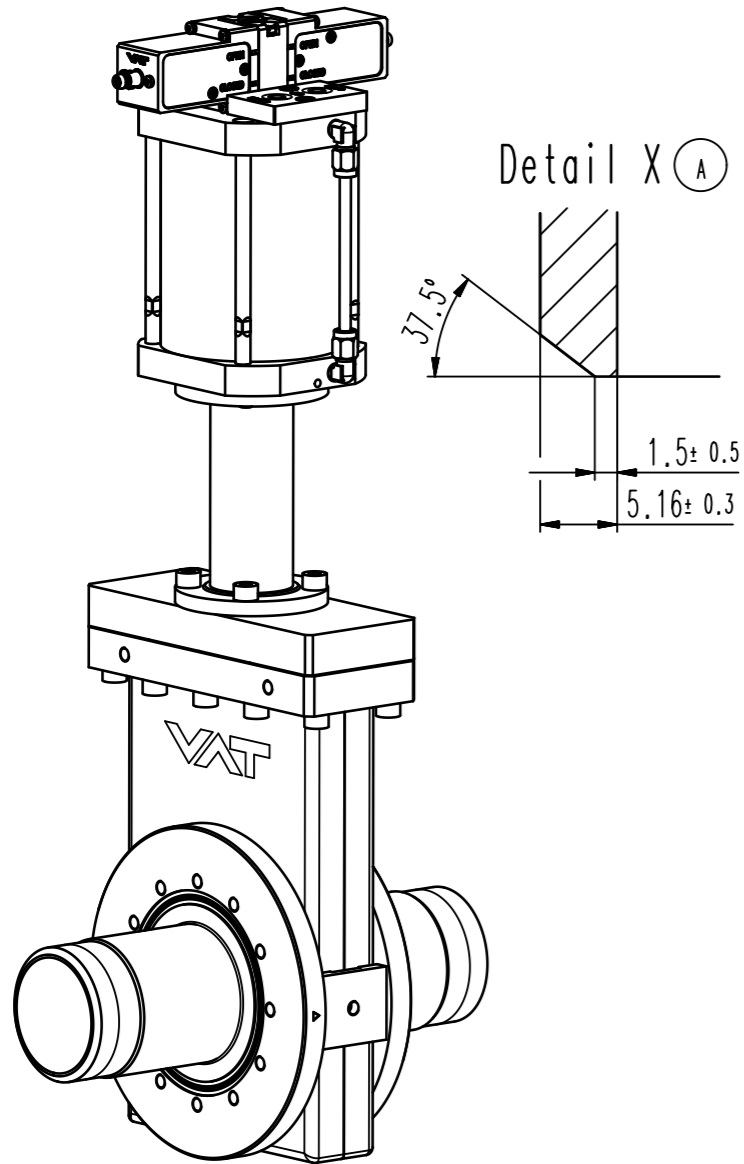
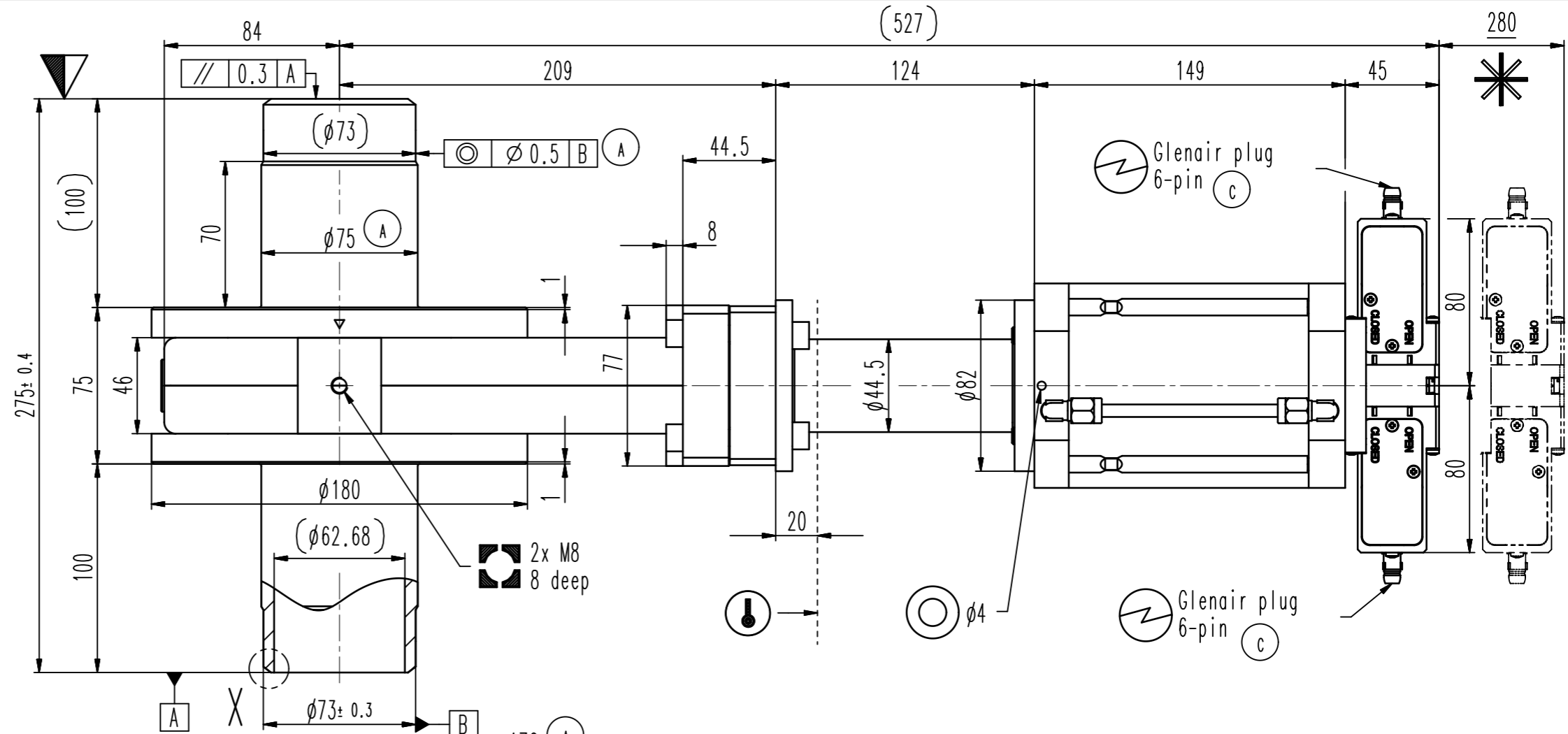
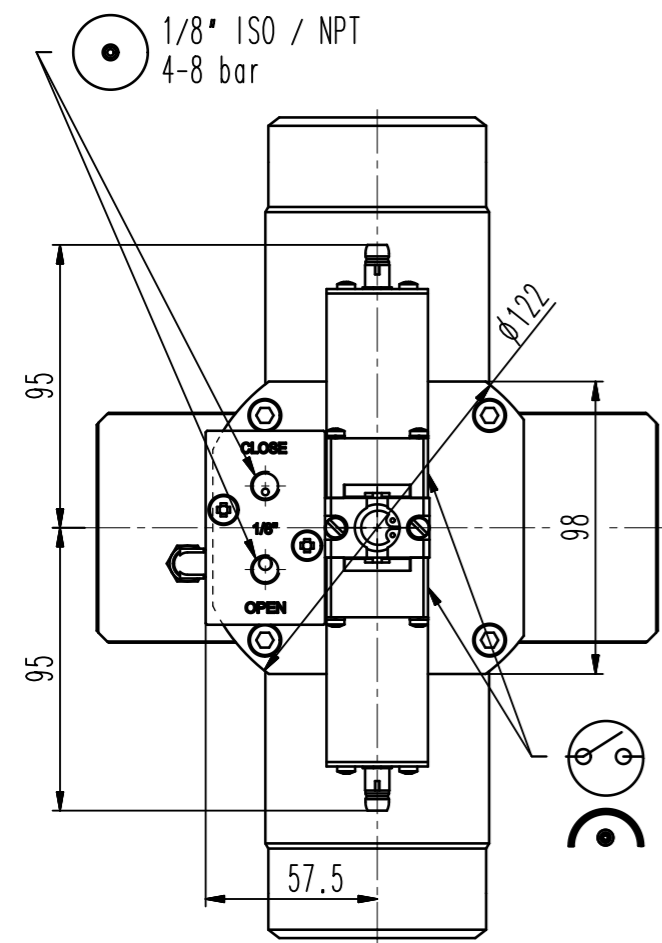


This drawing is the property of VAT.

Revision

Customer number



- ▼ Seat side
- ⊙ Comp. air connection
- ⊙ Electrical connection
- ⊙ Leak detection port
- ⊙ Mech. pos. indication
- ⊙ Position indicator
- ⊙ Required for dismantling
- ⊙ Emergency actuation
- ⊙ For attachment
- ⊙ Bake-out area
- ⊙ Differential pumping port

All-metal gate valve
 product: valve typ ITER 2; flange A+B; ; weld stub flange:
 Scheduel No. 40S;

VAT Vakuumentile AG
 CH-9469 Haag, Switzerland
 Tel ++41 81 7716161 Fax ++41 81 7714830

Rev.-Date: 26.05.20
 Visa: MAT

Series	482	Ordering No.	48236-RE24-ARL1
Projection E	DN	Flange	R
	63		
Dimensional Drawing		749584	Rev. C