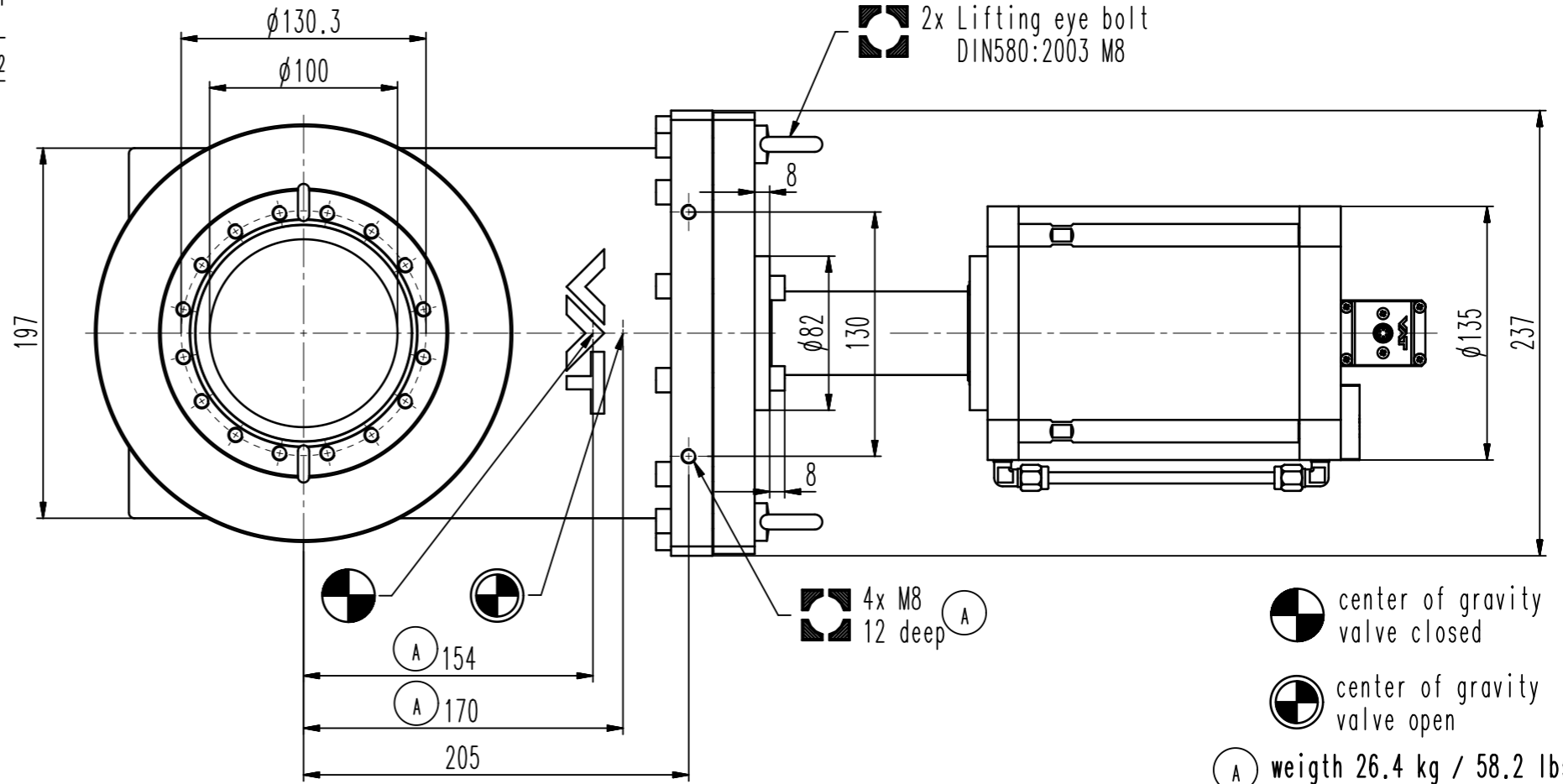
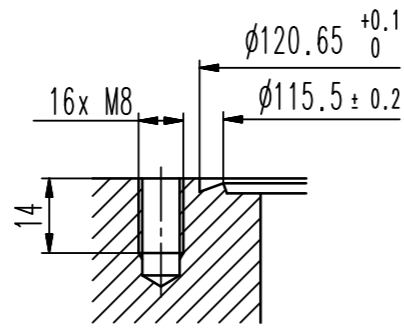
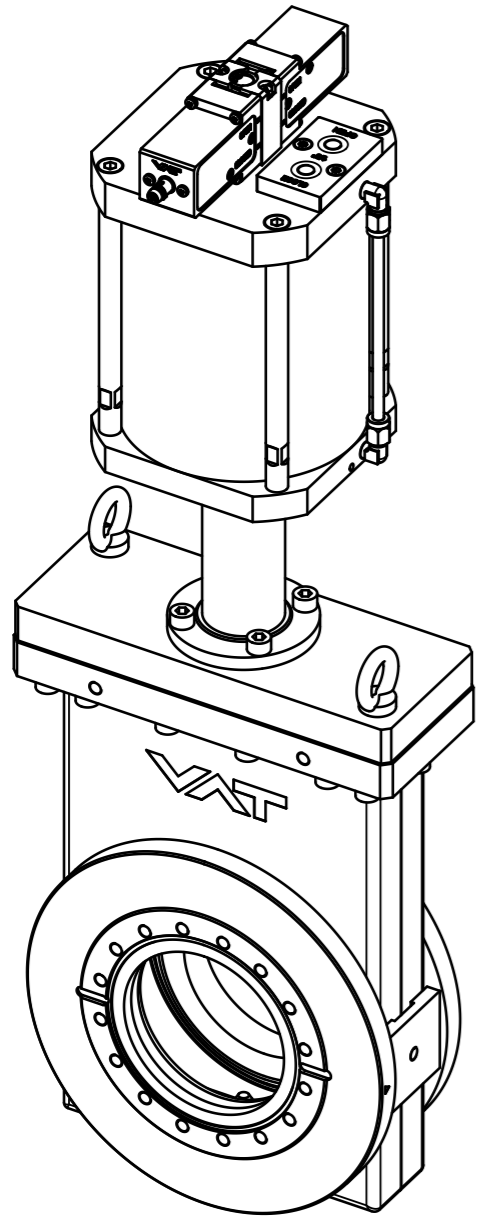


Detail X



- center of gravity valve closed
- center of gravity valve open
- (A)** weight 26.4 kg / 58.2 lbs



- Seat side
- Comp. air connection
- Electrical connection
- Leak detection port
- Mech. pos. indication
- Position indicator
- Required for dismantling
- Emergency actuation
- For attachment
- Bake-out area
- Differential pumping port

All-metal gate valve

product: valve type ITER 2;



VAT Vakuumventile AG
CH-9469 Haag, Switzerland
Tel ++41 81 7716161 Fax ++41 81 7714830

Rev.-Date: 26.05.20
Visa: MAT

Series	482	Ordering No.	48240-CE24-APW1
Projection E	DN	Flange	
	100	CF-F m	
Dimensional Drawing	749453	Rev.	B