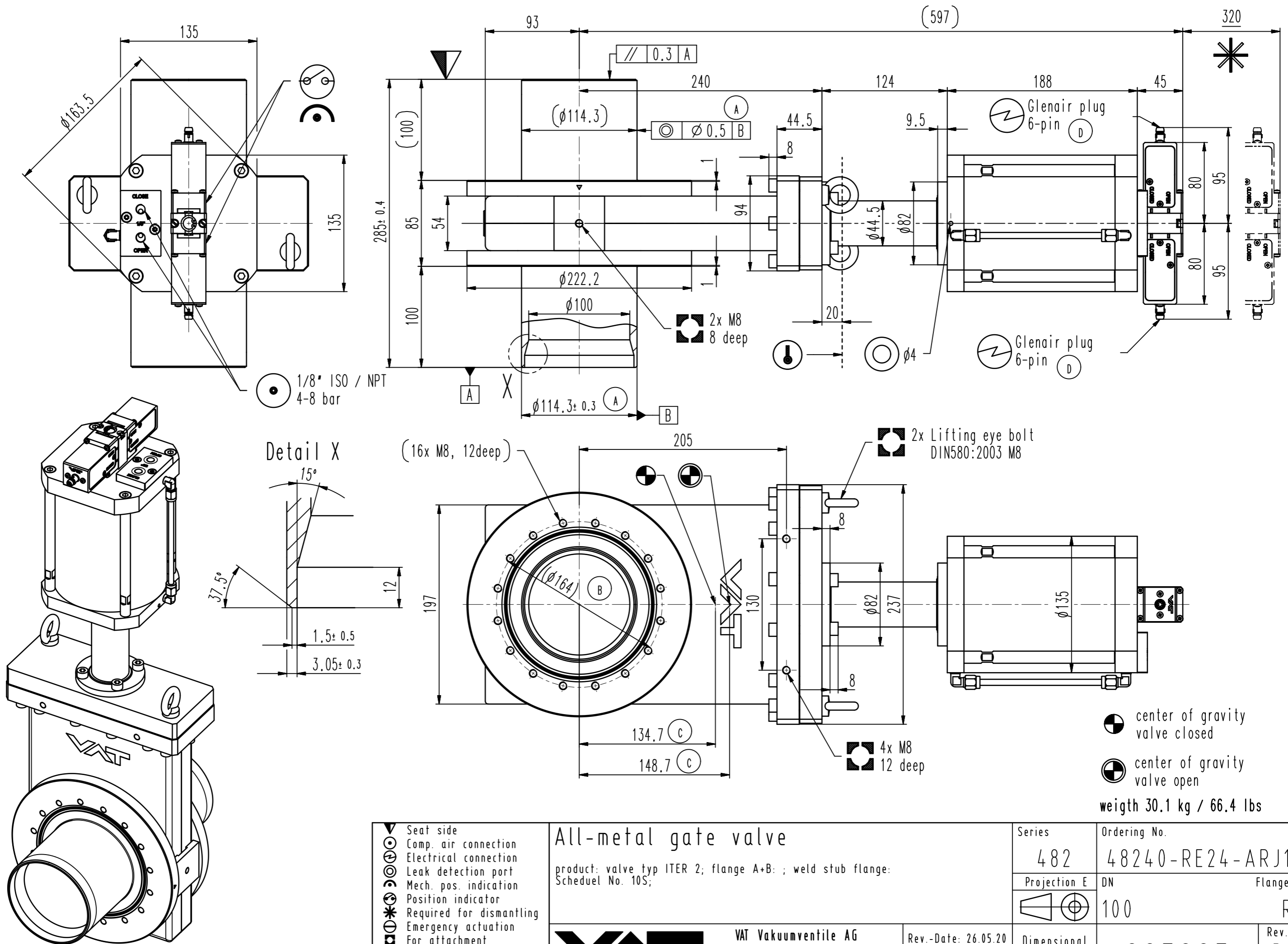


This drawing is the property of VAT.

Revision

Customer number



- ▼ Seat side
- ⊙ Comp. air connection
- ⊙ Electrical connection
- ⊙ Leak detection port
- ⊙ Mech. pos. indication
- ⊙ Position indicator
- ⊙ Required for dismantling
- ⊙ Emergency actuation
- ⊙ For attachment
- ⊙ Bake-out area
- ⊙ Differential pumping port

**All-metal gate valve**  
 product: valve typ ITER 2; flange A+B; ; weld stub flange:  
 Scheduel No. 10S;

**VAT** Vakuumentile AG  
 CH-9469 Haag, Switzerland  
 Tel ++41 81 7716161 Fax ++41 81 7714830

Rev.-Date: 26.05.20  
 Visa: MAT

Series	482	Ordering No.	48240-RE24-ARJ1
Projection E	DN	Flange	R
Dimensional Drawing	100		
	827895		Rev. D

⊙ center of gravity valve closed  
 ⊙ center of gravity valve open  
 weight 30.1 kg / 66.4 lbs