



VAT Vakuumventile AG
CH-9469 Haag, Schweiz

Product data sheet

Mini UHV gate valve, Series 010, DN 40 (ID 1½")

Ordering No. 01032-CE24-BFR1

Description

Flange		CF-F 40
Actuator		pneumatic, double acting – without solenoid valve – with position indicator
Feedthrough		Bellows
Options	BFR =	– Product: valve type ITER 31 – Actuator: seal material EPDM – Gate: seal material EPDM (vulcanized) – Position indicator: double; Glenair 4 pin connector; 125 °C

Technical data¹

Leak rate (nominal condition)	– Valve body – Valve seat	$< 1 \cdot 10^{-8}$ mbar ls ⁻¹ $< 1 \cdot 10^{-8}$ mbar ls ⁻¹
Leak rate (accidental condition)	– Valve body – Valve seat	$\leq 1 \cdot 10^{-8}$ mbar ls ⁻¹ n/a
Pressure range		$1 \cdot 10^{-8}$ mbar to 1.5 bar (abs)
Differential pressure on the gate		≤ 1.5 bar
Differential pressure at opening		≤ 30 mbar
Conductance (molecular flow)		180 ls ⁻¹
Cycles until first service (nominal condition)		10 000
Temperature (Maximum values: depending on operating conditions and sealing materials)	– Valve Body – Actuator – Position indicator	≤ 150 °C (bake-out max. 24h) ≤ 150 °C ≤ 150 °C
Heating and cooling rate		≤ 50 °C h ⁻¹
Material	– Valve Body – Gate – Bellows	AISI 304 (1.4301), AISI 316L (1.4435) AISI 304 (1.4301) AISI 316L (1.4404, 1.4435)
Seal	– Bonnet – Gate – Actuator	metal EPDM EPDM
Weight		2.2 kg / 4.85 lbs
Mounting position		any
Radiation resistance		10^6 Gy (10^8 rad)
Maximum magnetic field levels		≤ 150 mT
Volume of pneumatic actuator		0.06 l / 0.002 ft ³
Compressed air ²		5 – 7 bar / 73 – 102 psi

¹ Values according technical specification D_R8752R v.1.1

Created by: Phil Schneider	Release date: 18.06.2020	1/2
Modified by: Phil Schneider	Release date: 12.02.2021	862164EB



VAT Vakuumventile AG
CH-9469 Haag, Schweiz

Product data sheet

Mini UHV gate valve, Series 010, DN 40 (ID 1½")

Ordering No. 01032-CE24-BFR1

(min. – max. overpressure)

Compressed air connection		1/8" ISO/NPT
Actuation time	– closing	0.7 s
	– opening	0.7 s
Behavior in case of compressed air pressure drop	– Valve closed	valve remains closed
	– Valve open	undefined
	– During actuation	undefined
Behavior in case of power failure	– Valve closed	depending on customer installation
	– Valve open	
	– During actuation	
Assembly cleanliness level		ISO Class 8

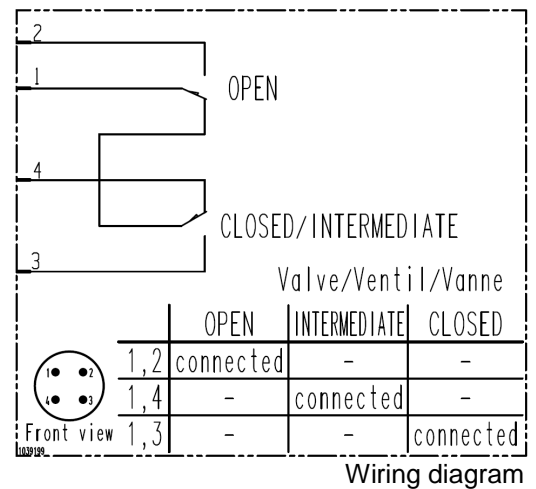
Related documents

Dimensional drawing No.	858736 Rev A
STEP file No.	858794 Rev A

Electrical connections

Position indicator

Type	Micro switch
Voltage	≤ 50 V AC
Current max.	≤ 1.2 A
Connector on the valve:	8070-2530-02Z16-4GA
Mating connector:*	8070-3039-01Z16-4KA (pins compatible with AWG 20 wire)



*The mating connector is not part of the valve and needs to be ordered separately at Glenair.

² Deviation to technical specification D_R8752R v.1.1 in agreement with responsible IO department

Created by: Phil Schneider	Release date: 18.06.2020	2/2
Modified by: Phil Schneider	Release date: 12.02.2021	862164EB