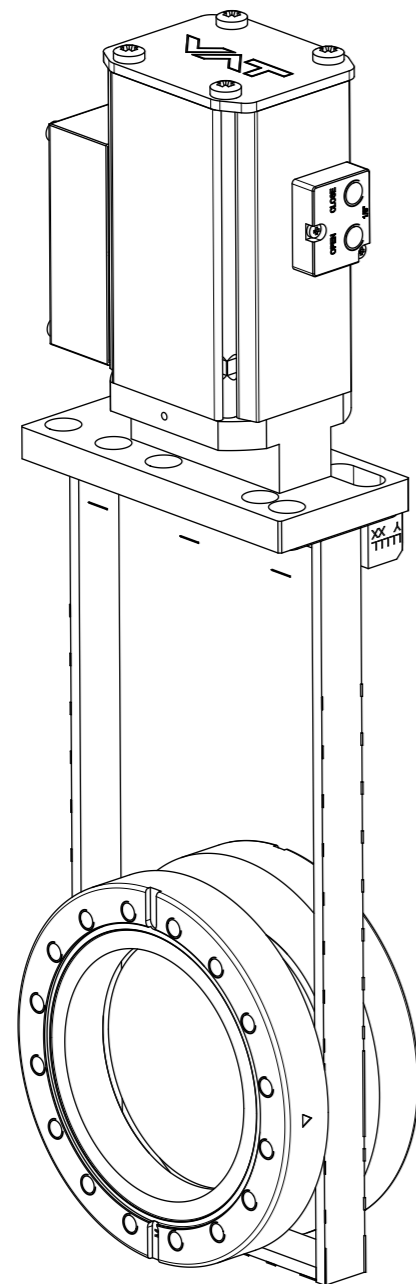


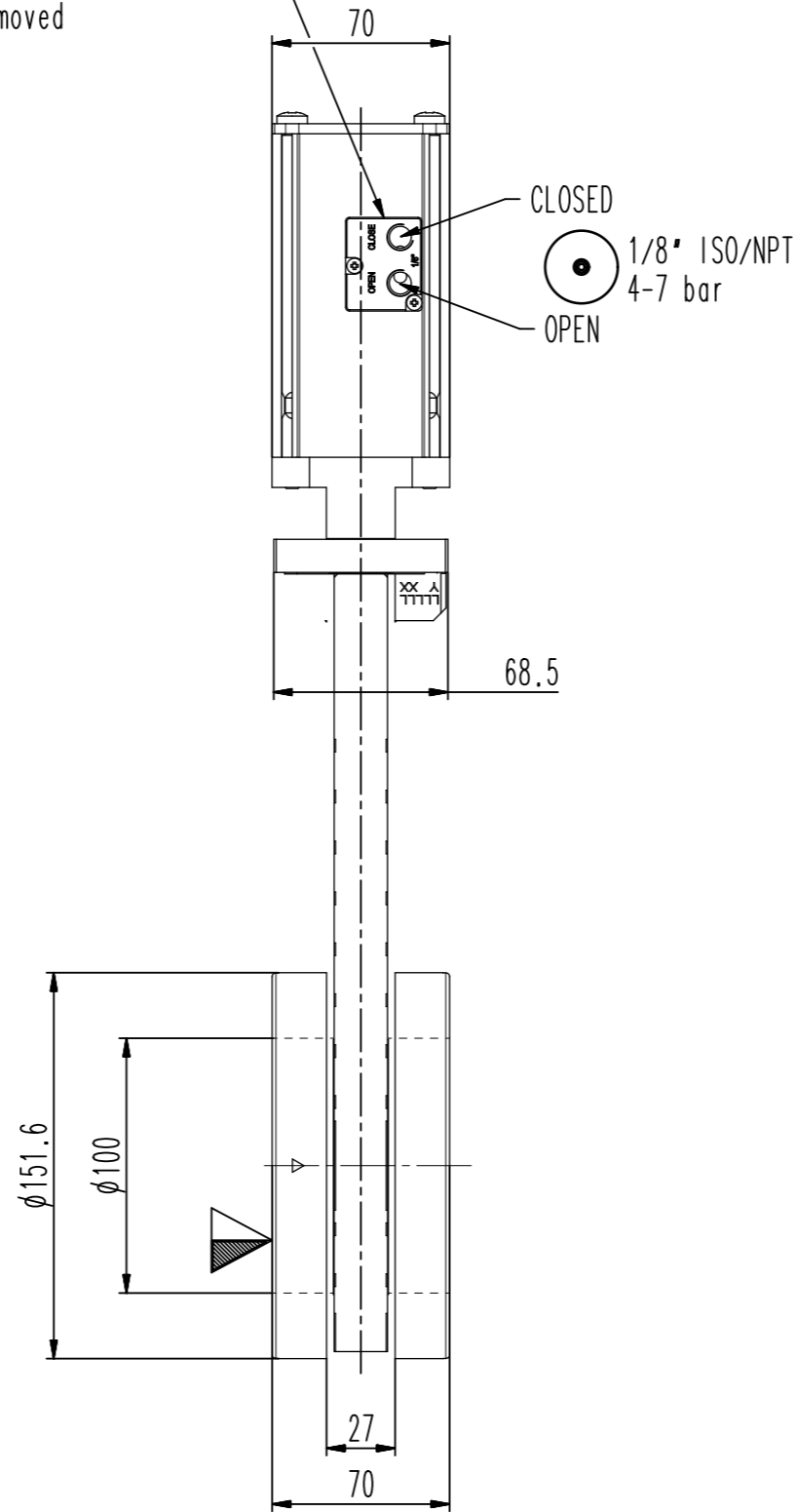
This drawing is the property of VAT.

Revision

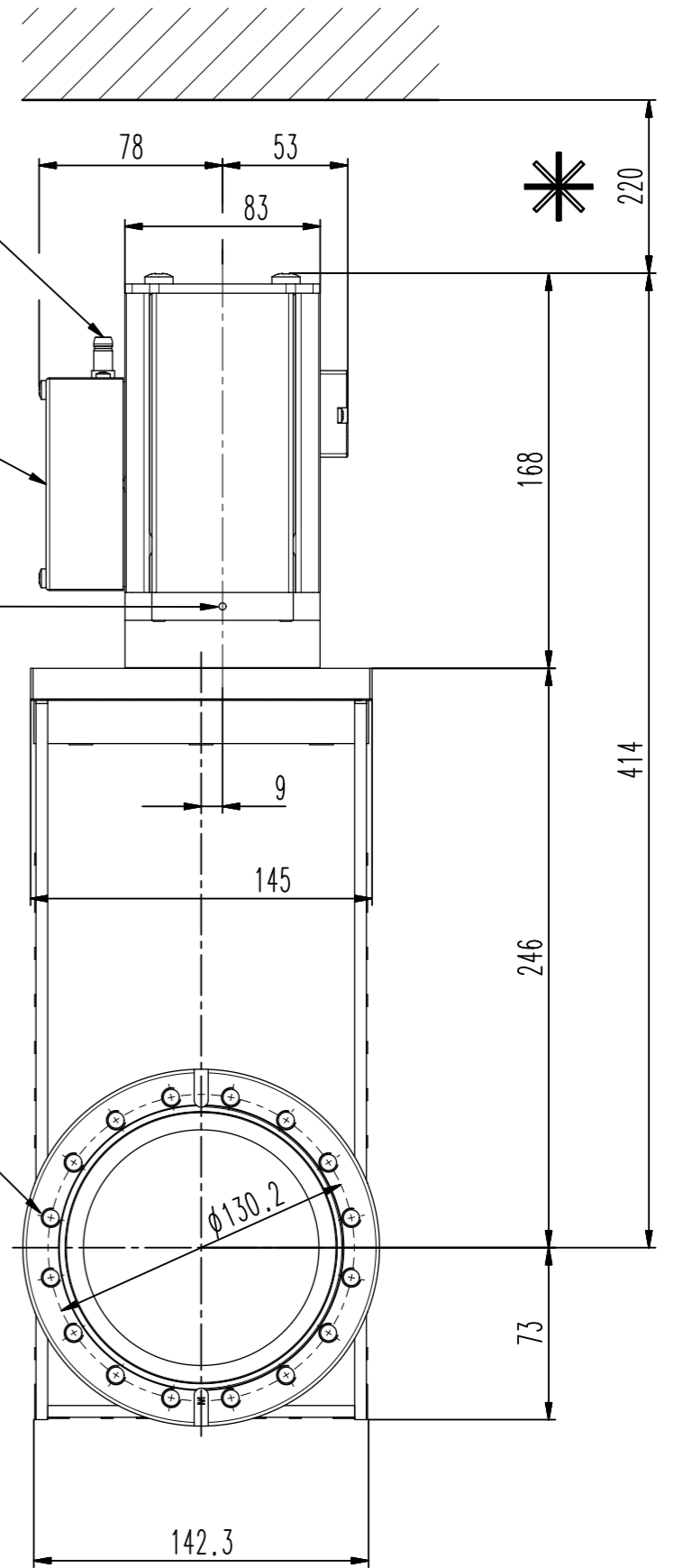
Customer number



2xM5 (10-32 UNF suitable) in air cylinder if adapter plate is removed



Glenair plug 4pin



- ▼ Seat side
- ⊙ Comp. air connection
- ⊕ Electrical connection
- ⊖ Leak detection port
- ⊙ Mech. pos. indication
- ⊙ Position indicator
- ⊙ Required for dismantling
- ⊙ Emergency actuation
- ⊙ For attachment
- ⊙ Bake-out area
- ⊙ Differential pumping port

### UHV gate valve

product: valve type ITER 41;



VAT Vakuumventile AG  
CH-9469 Haag, Switzerland  
Tel ++41 81 7716161 Fax ++41 81 7714830

Rev.-Date: 11.06.20  
Visa: WAG

Series	108	Ordering No.	10840-CE24-BUD1
Projection E	DN	Flange	
	100	CF-F m	
Dimensional Drawing	857668	Rev.	A