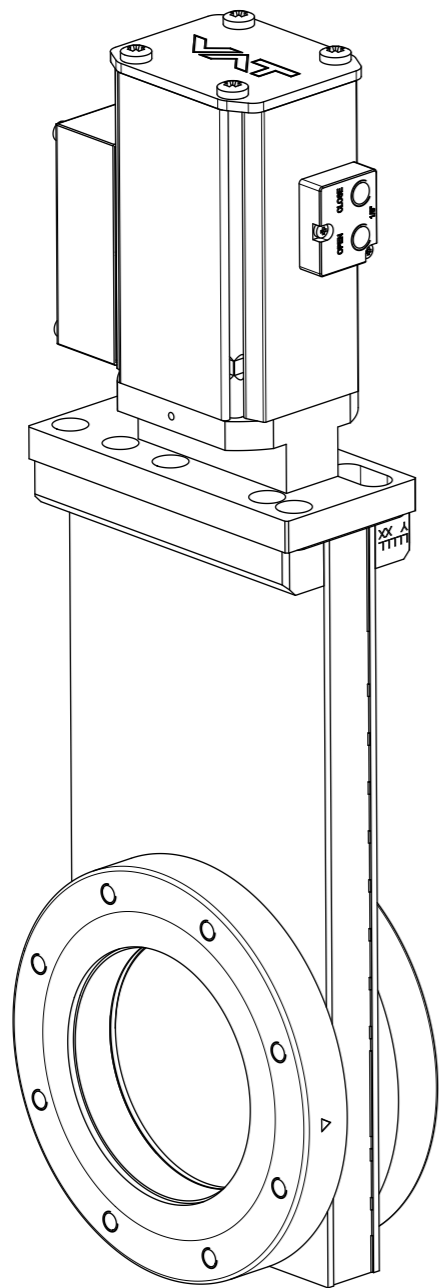


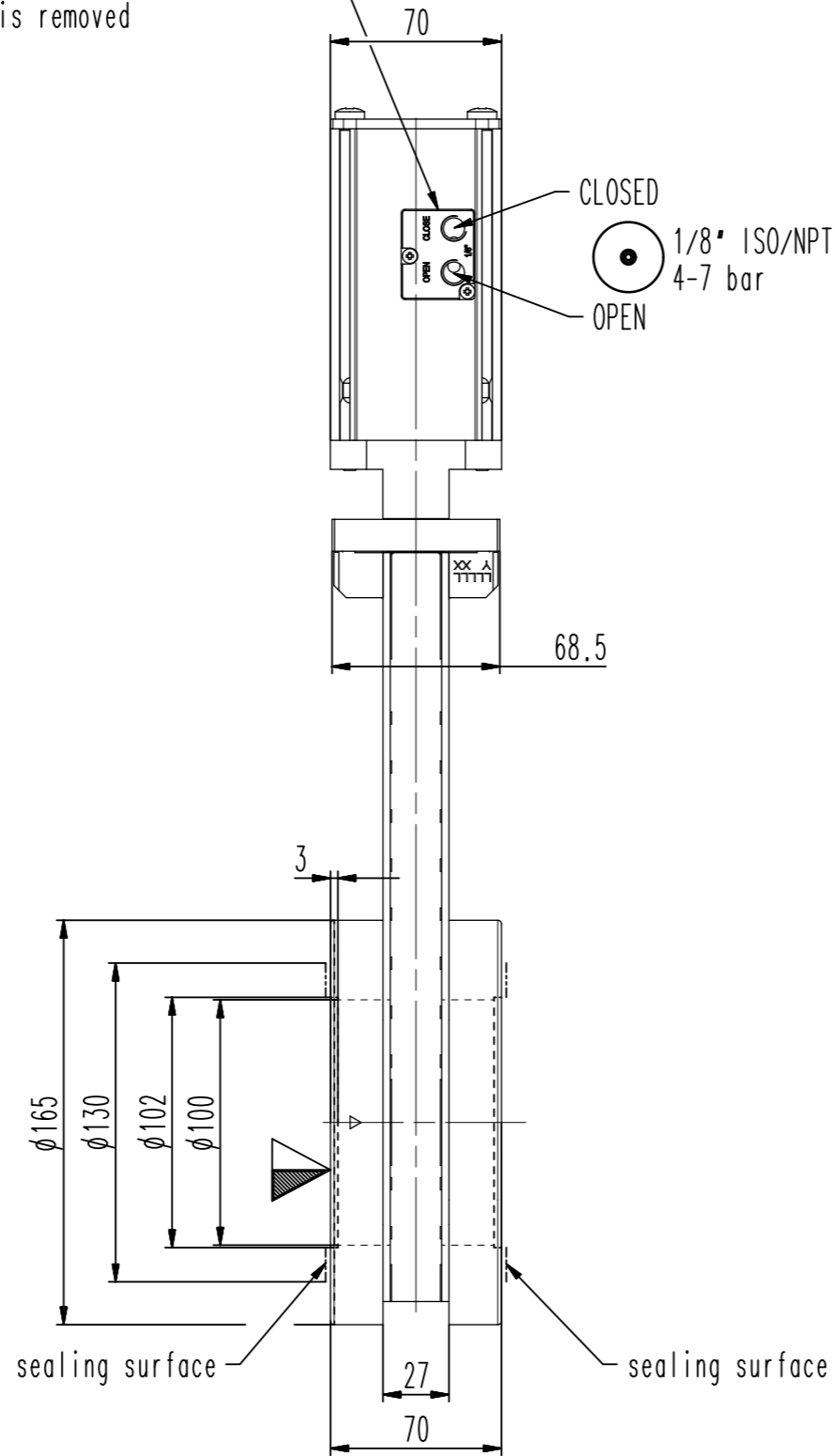
This drawing is the property of VAT.

Revision

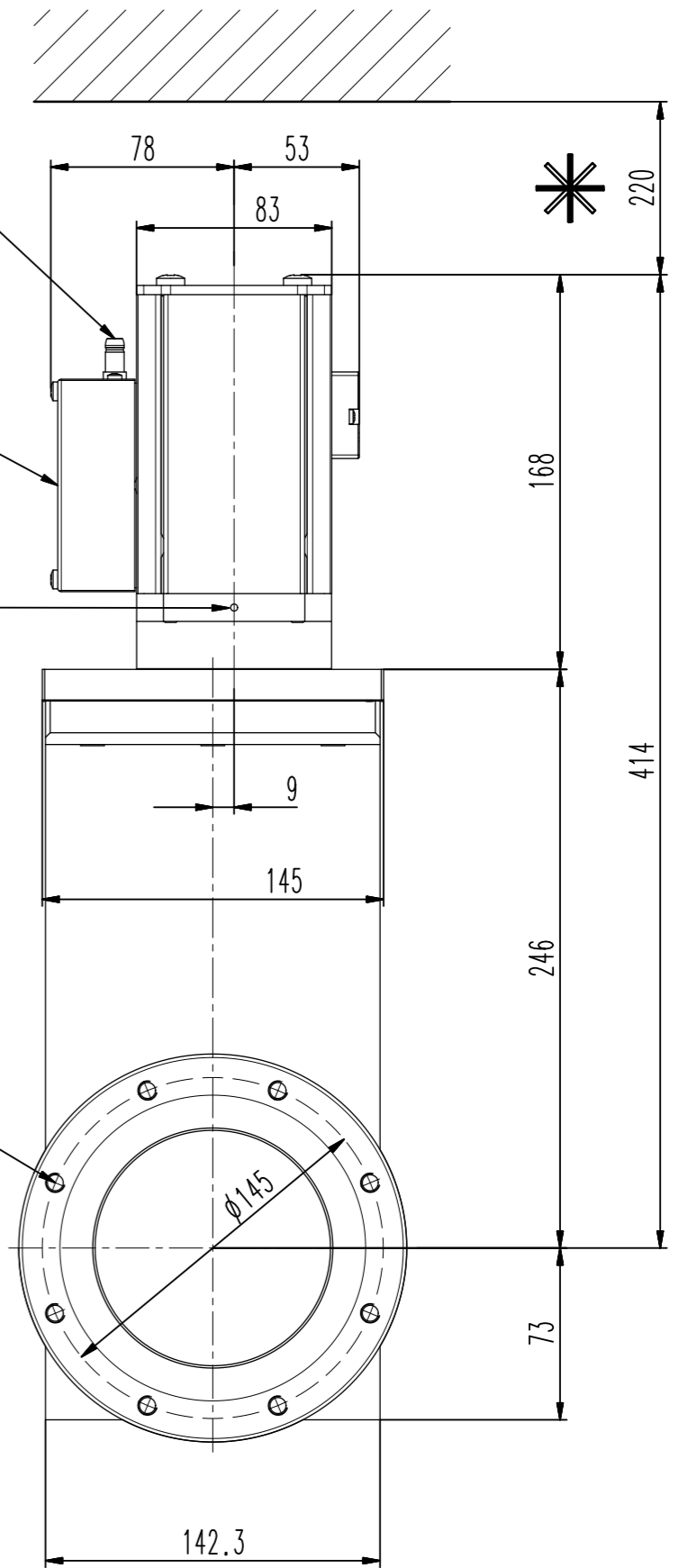
Customer number



2xM5 (10-32 UNF suitable) in air cylinder if adapter plate is removed



Glenair plug 4pin



8x M8
13 deep

- ▼ Seat side
- ⊙ Comp. air connection
- ⊙ Electrical connection
- ⊙ Leak detection port
- ⊙ Mech. pos. indication
- ⊙ Position indicator
- ⊙ Required for dismantling
- ⊙ Emergency actuation
- ⊙ For attachment
- ⊙ Bake-out area
- ⊙ Differential pumping port

UHV gate valve

product: valve type ITER 41;



VAT Vakuumventile AG

CH-9469 Haag, Switzerland
Tel ++41 81 7716161 Fax ++41 81 7714830

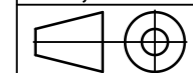
Rev.-Date: 15.06.20

Visa: WAG

Series

108

Projection E



Dimensional Drawing

Ordering No.

10840-PE24-BUD1

DN

100

Flange

ISO-F

891386

Rev.

A

VAT/DA