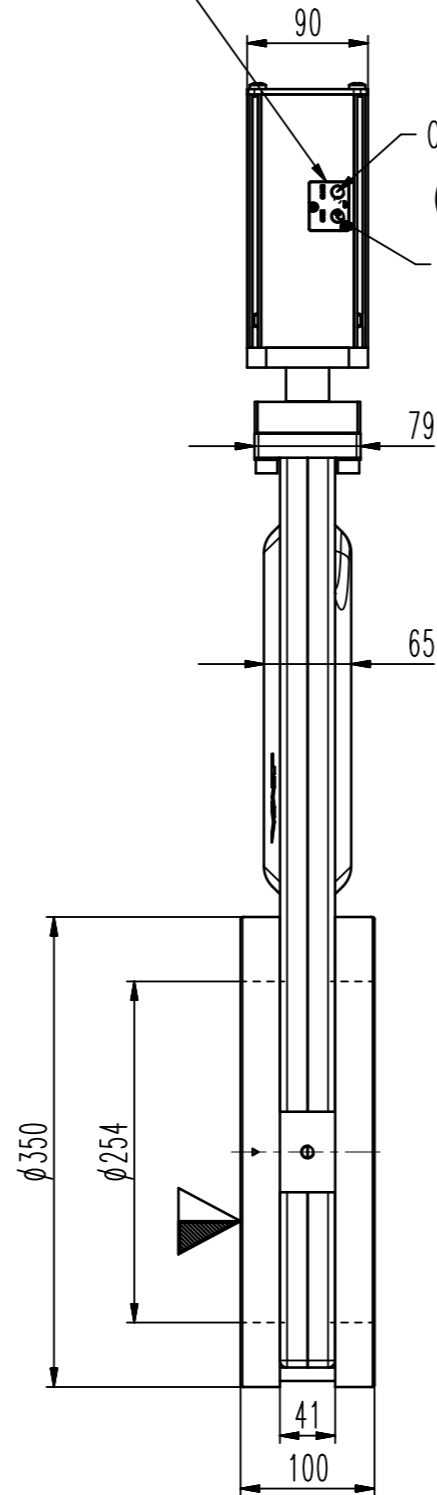
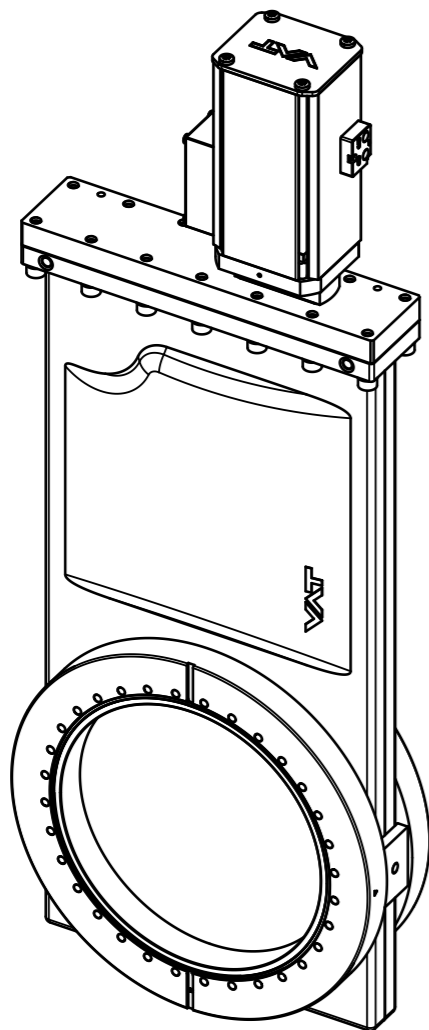
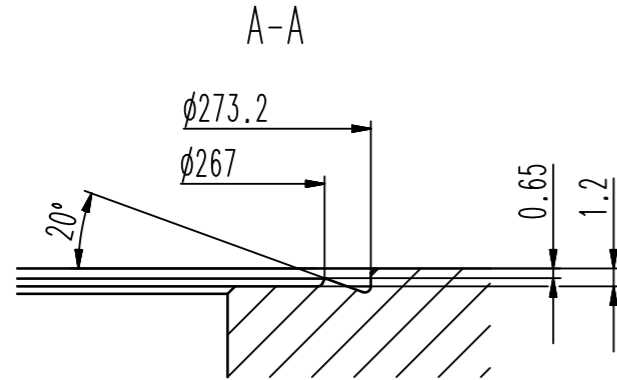


This drawing is the property of VAT.

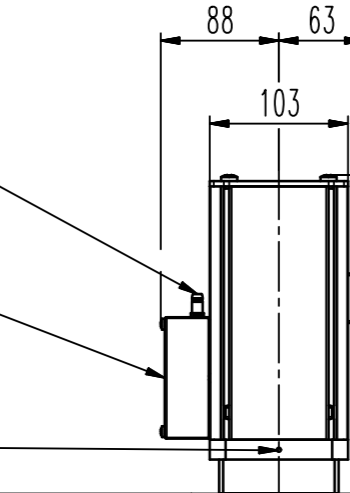
Revision

Customer number

2xM5 (10-32 UNF suitable) in air cylinder
if adapter plate is removed



Glenair plug 4pin

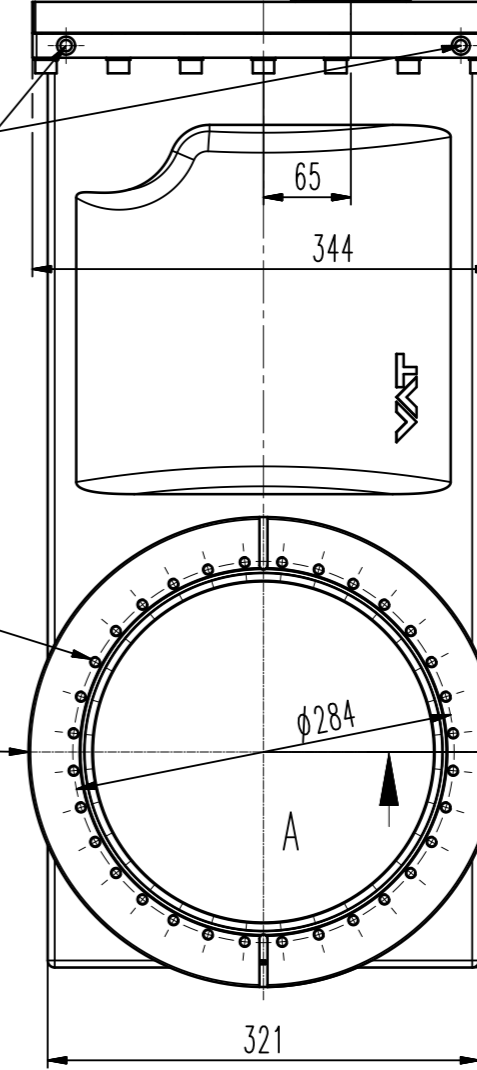


Lifting eye bolt M10 (2x)
DIN 580:2003



32xM8, 13 deep

M10 - 10 deep (5x)
Lifting point suitable for
eye bolt DIN 580:2003



- ▼ Seat side
- ⊙ Comp. air connection
- ⊙ Electrical connection
- ⊙ Leak detection port
- ⊙ Mech. pos. indication
- ⊙ Position indicator
- ⊙ Required for dismantling
- ⊙ Emergency actuation
- ⊙ For attachment
- ⊙ Bake-out area
- ⊙ Differential pumping port

UHV gate valve

product: valve type ITER 41;



VAT Vakuumventile AG

CH-9469 Haag, Switzerland
 Tel ++41 81 7716161 Fax ++41 81 7714830

Rev.-Date: 18.06.20

Visa: WAG

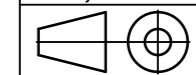
Series

108

Ordering No.

10848-CE24-BUD1

Projection E



DN

250

Flange

CF-F m

Dimensional
Drawing

954405

Rev.

A