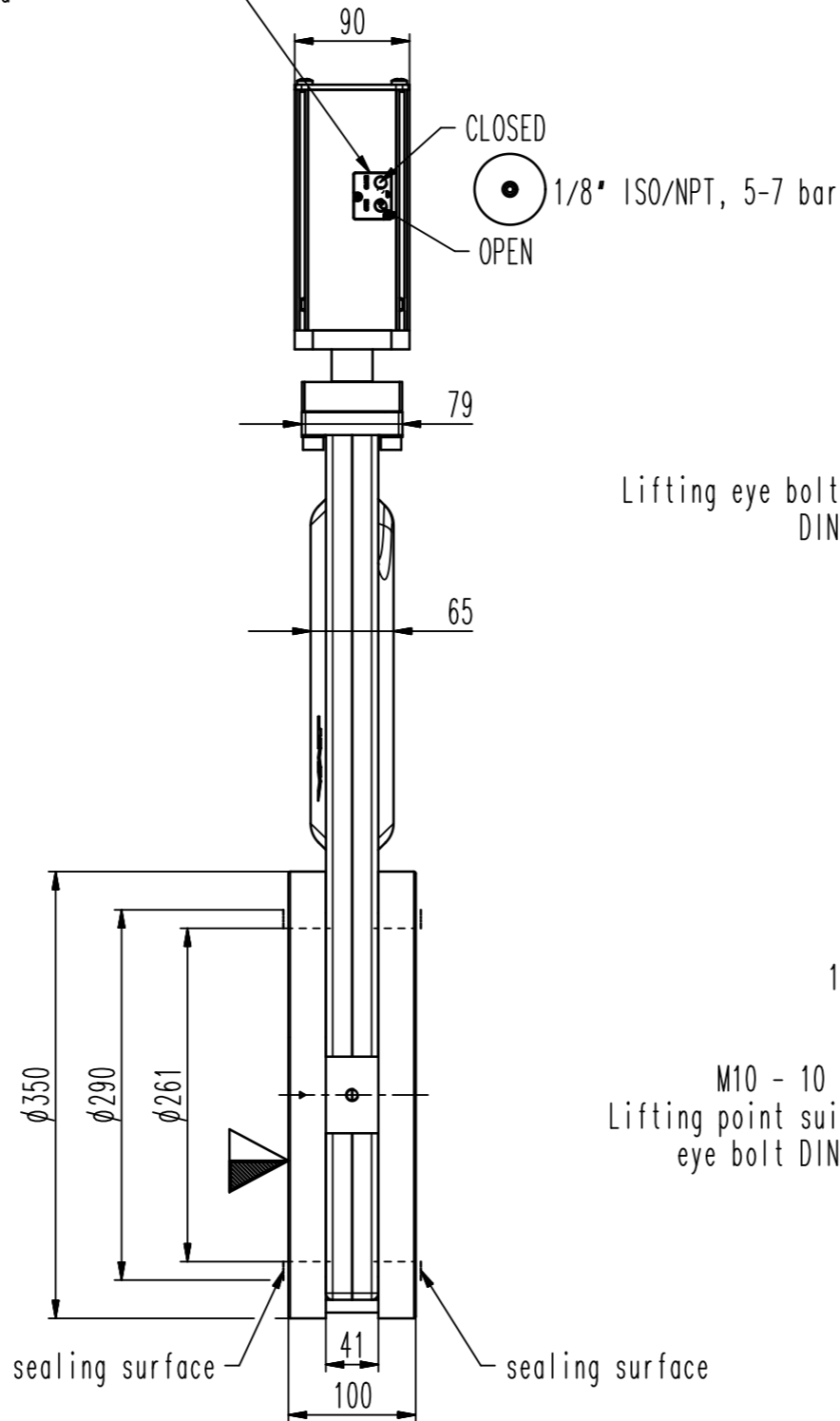


2xM5 (10-32 UNF suitable) in air cylinder if adapter plate is removed

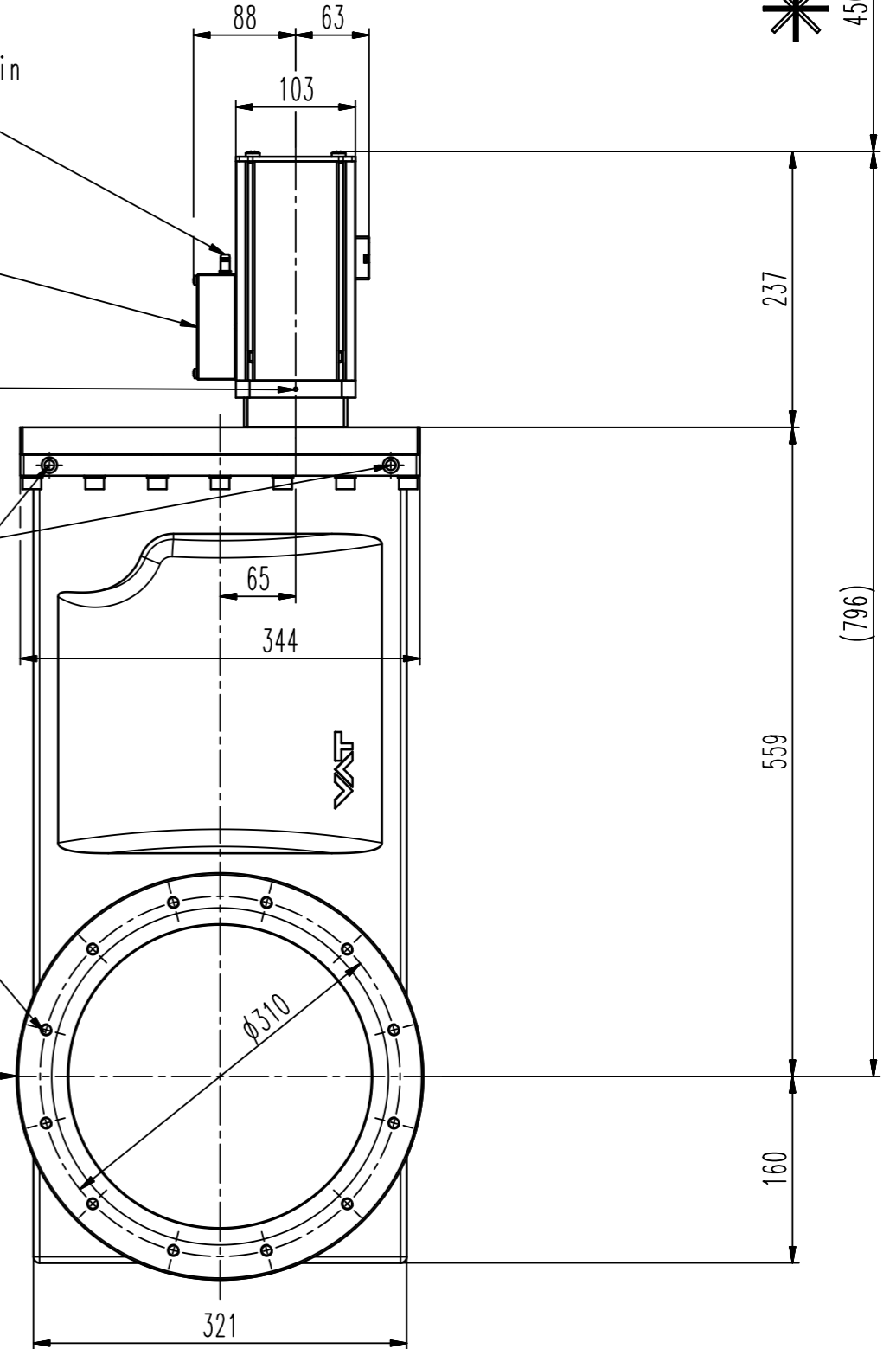


Glenair plug 4pin

Lifting eye bolt M10 (2x) DIN 580:2003

12xM10, 15 deep

M10 - 10 deep (5x) Lifting point suitable for eye bolt DIN 580:2003



- ▼ Seat side
- ⊙ Comp. air connection
- ⊙ Electrical connection
- ⊙ Leak detection port
- ⊙ Mech. pos. indication
- ⊙ Position indicator
- ⊙ Required for dismantling
- ⊙ Emergency actuation
- ⊙ For attachment
- ⊙ Bake-out area
- ⊙ Differential pumping port

### UHV gate valve

product: valve type ITER 41;



VAT Vakuumventile AG

CH-9469 Haag, Switzerland  
Tel ++41 81 7716161 Fax ++41 81 7714830

Rev.-Date: 18.06.20

Visa: WAG

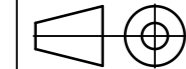
Series

108

Ordering No.

10848-PE24-BUD1

Projection E



DN

250

Flange

ISO-F

Dimensional Drawing

954394

Rev.

A