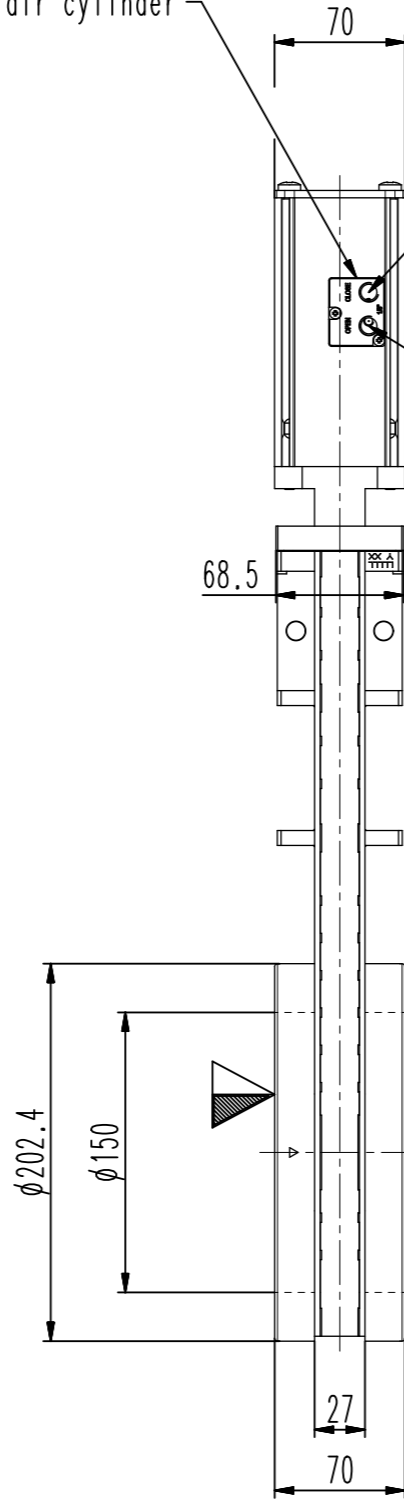
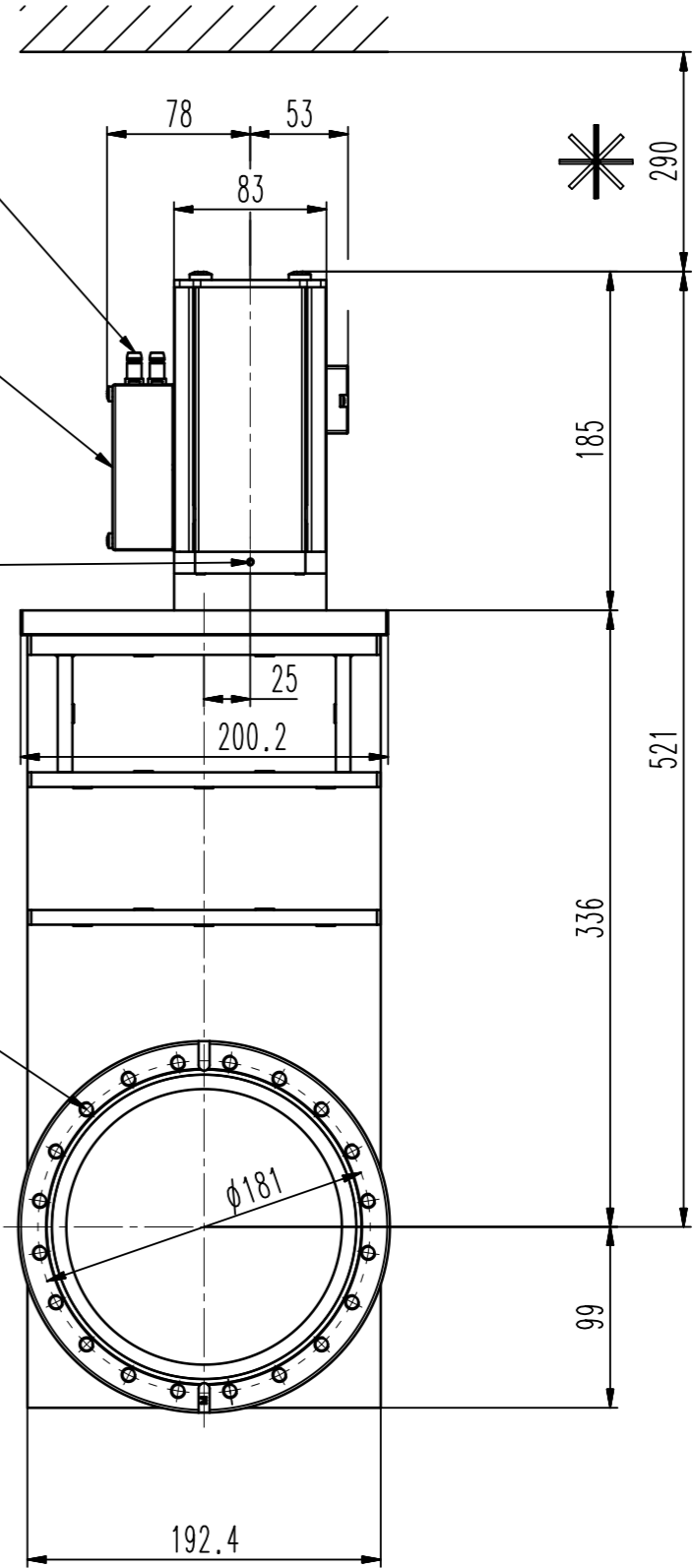
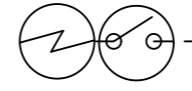


2xM5 (10-32 UNF suitable) in air cylinder if adapter plate is removed



CLOSED  
1/8" ISO/NPT  
4-7 bar  
OPEN

Glenair plug 4pin



20x M8,  
13deep

- ▼ Seat side
- ⊕ Comp. air connection
- ⊕ Electrical connection
- ⊕ Leak detection port
- ⊕ Mech. pos. indication
- ⊕ Position indicator
- ⊕ Required for dismantling
- ⊕ Emergency actuation
- ⊕ For attachment
- ⊕ Bake-out area
- ⊕ Differential pumping port

### UHV gate valve

product: valve type ITER 42;



VAT Vakuumventile AG

CH-9469 Haag, Switzerland  
Tel ++41 81 7716161 Fax ++41 81 7714830

Rev.-Date: 17.06.20

Visa: WAG

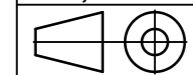
Series

108

Ordering No.

10844-CE24-BUE1

Projection E



DN

160

Flange

CF-F m

Dimensional  
Drawing

857735

Rev.

B