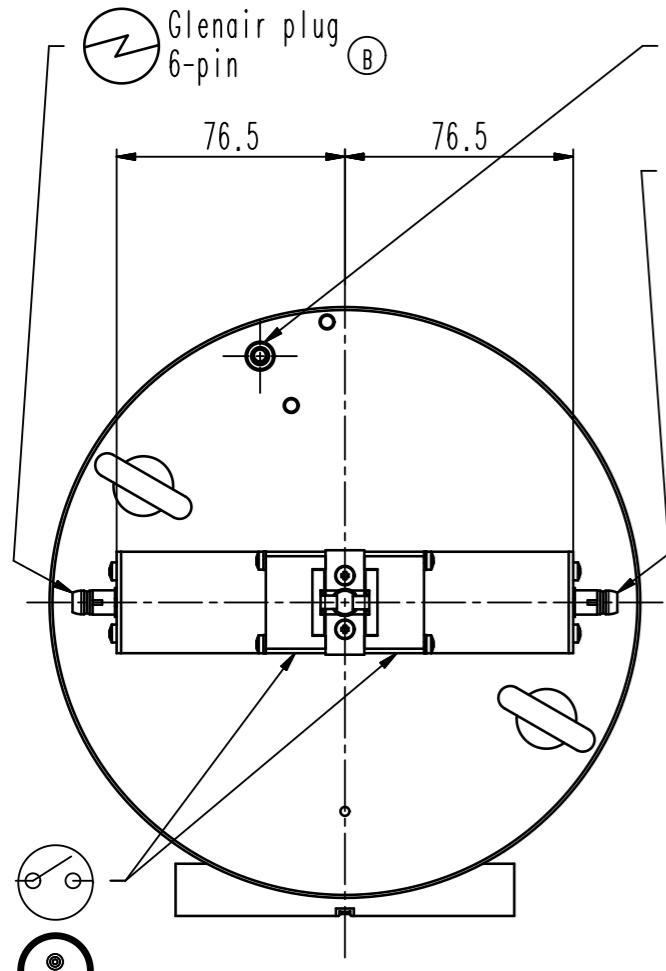


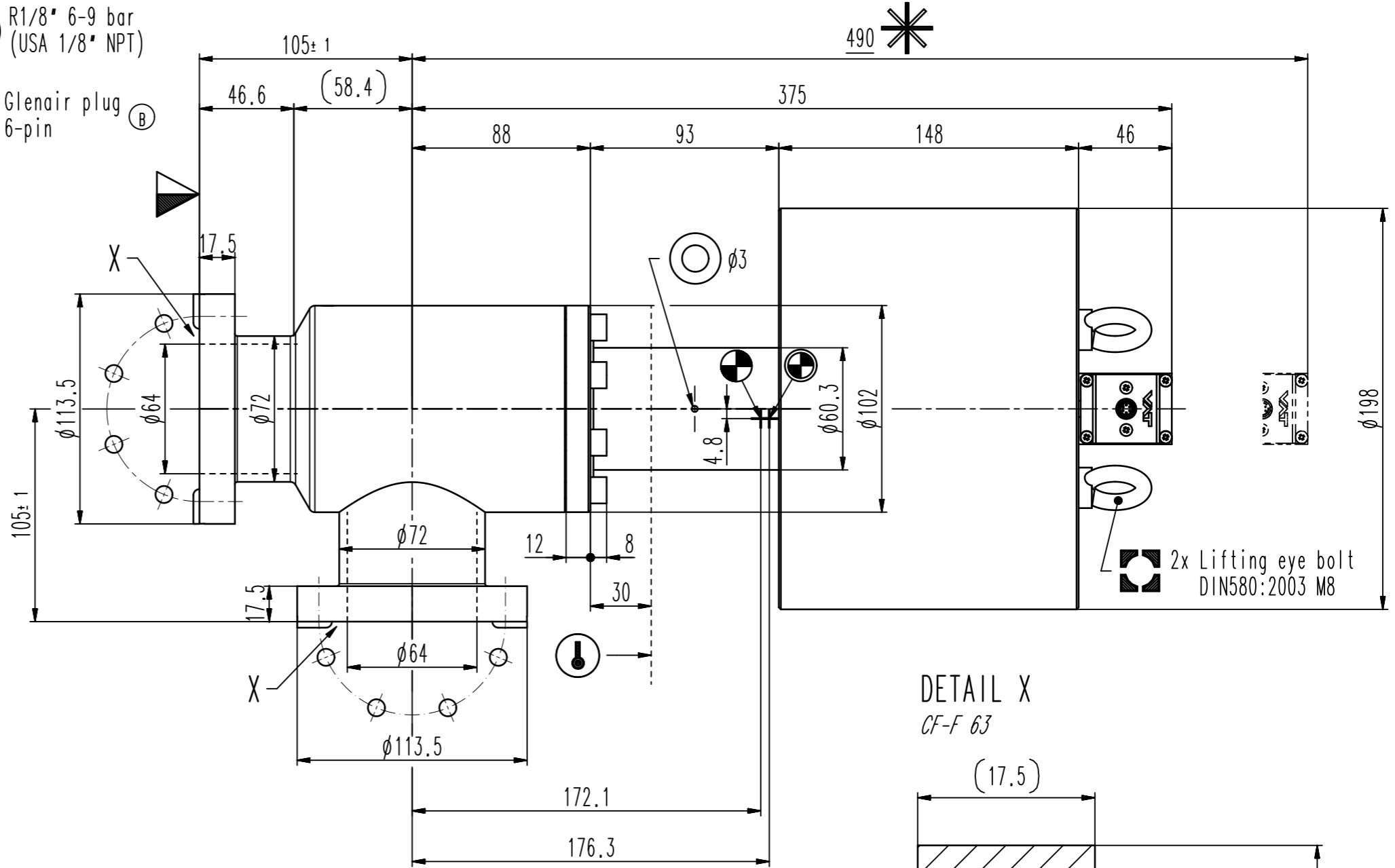
This drawing is the property of VAT.

Revision

Customer number

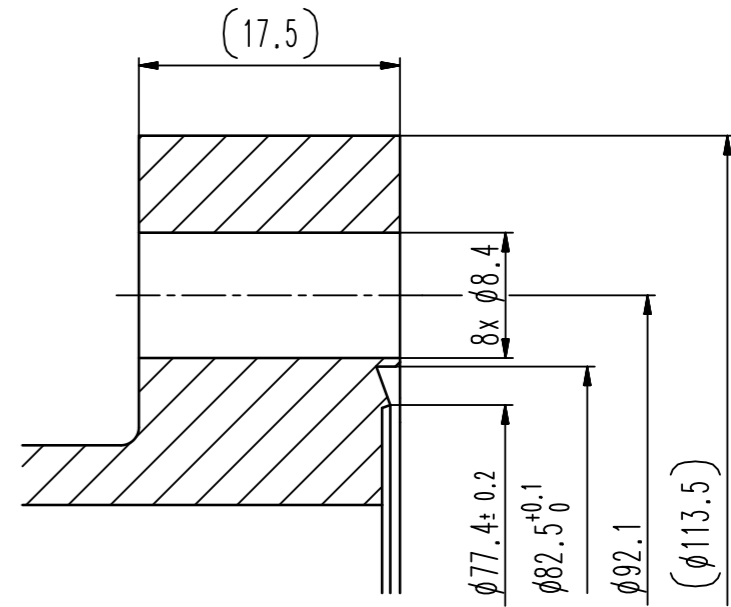


- R1/8" 6-9 bar (USA 1/8" NPT)
- Glenair plug 6-pin



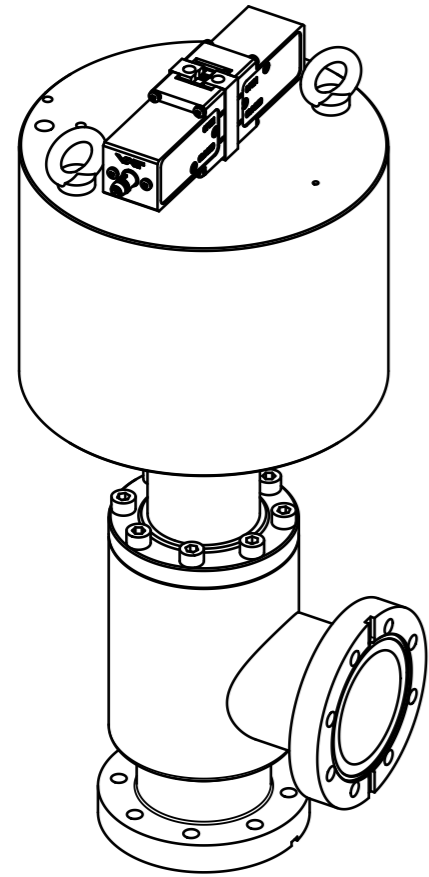
2x Lifting eye bolt
DIN580:2003 M8

DETAIL X
CF-F 63



weight: 20,3 kg / 44,8 lbs

- center of gravity valve closed
- center of gravity valve open



- Seat side
- Comp. air connection
- Electrical connection
- Leak detection port
- Mech. pos. indication
- Position indicator
- Required for dismantling
- Emergency actuation
- For attachment
- Bake-out area
- Differential pumping port

All-metal angle valve

product: valve type ITER 4;



VAT Vakuumventile AG
CH-9469 Haag, Switzerland
Tel ++41 81 7716161 Fax ++41 81 7714830

Rev.-Date: 10.06.20
Visa: LBR

Series	570	Ordering No.	57036-CE21-AHA1
Projection E		DN	63
		Flange	CF-F
Dimensional Drawing			750084
		Rev.	B