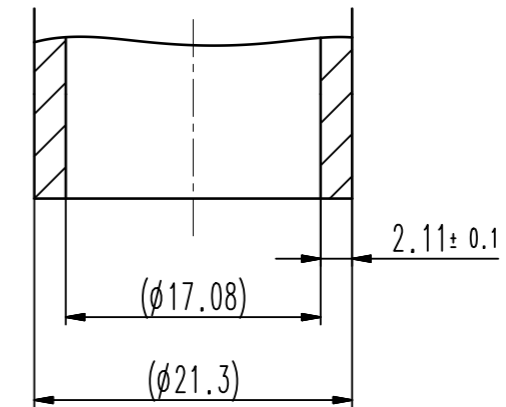
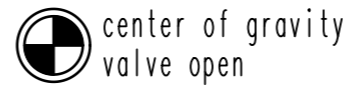
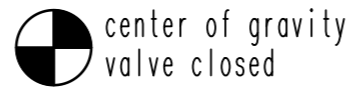


Detail X



weight: 3.0 kg / 6,6 lbs



- ▼ Seat side
- ⊙ Comp. air connection
- ⊙ Electrical connection
- ⊙ Leak detection port
- ⊙ Mech. pos. indication
- ⊙ Position indicator
- ⊙ Required for dismantling
- ⊙ Emergency actuation
- ⊙ For attachment
- ⊙ Bake-out area
- ⊙ Differential pumping port

All-metal angle valve

product: valve typ ITER 4; flange A+B: ; weld stub flange:  
Scheduel No. 10S;



VAT Vakuumentile AG

CH-9469 Haag, Switzerland  
Tel ++41 81 7716161 Fax ++41 81 7714830

Rev.-Date: 27.05.20

Visa: LBR

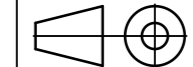
Series

571

Ordering No.

57124-RE21-AIZ1

Projection E



DN

16

Flange

R

Dimensional Drawing

948059

Rev.

A