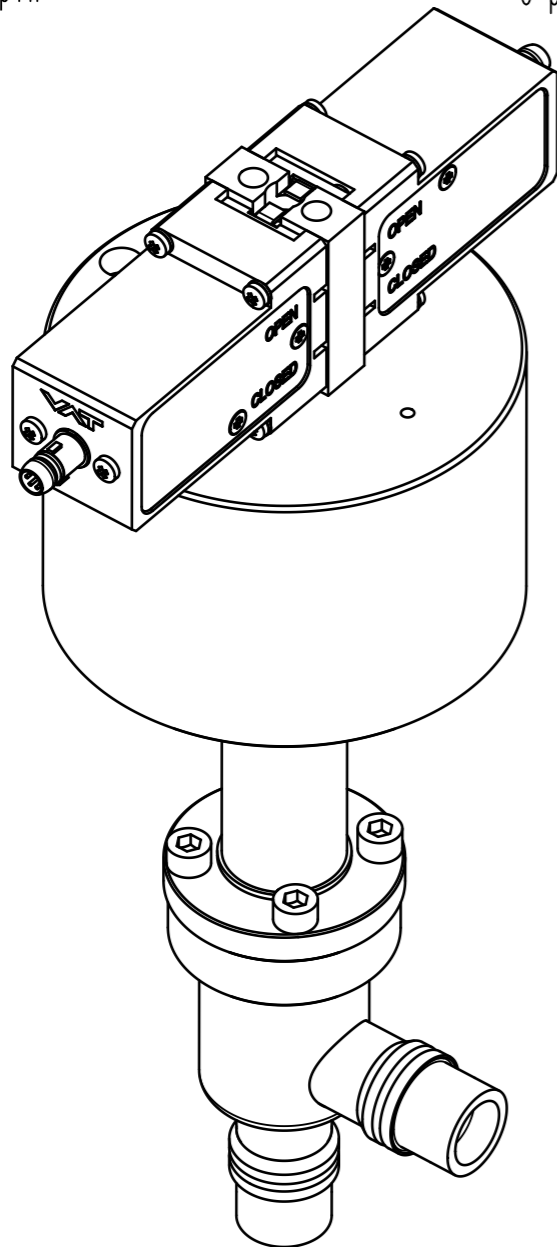
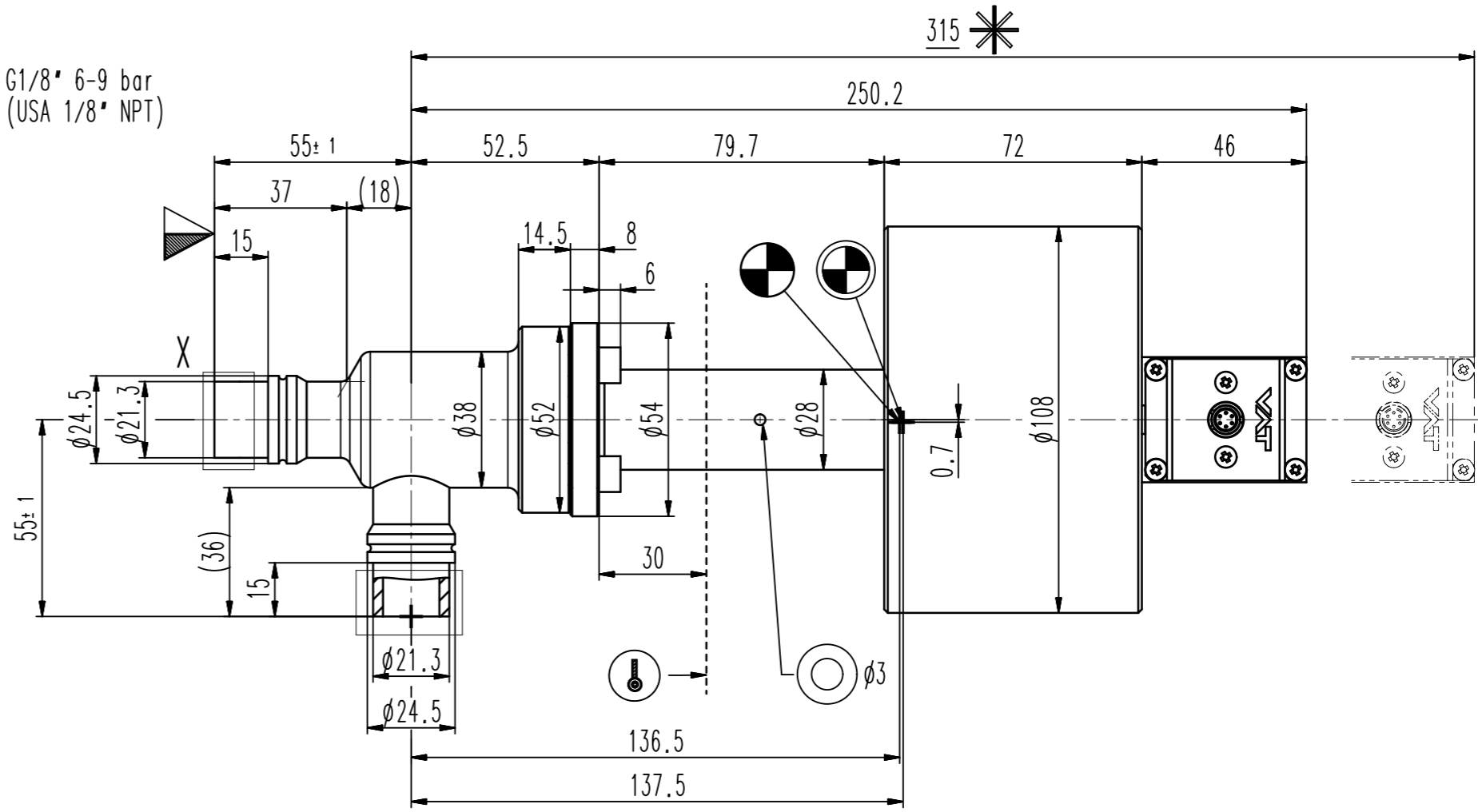
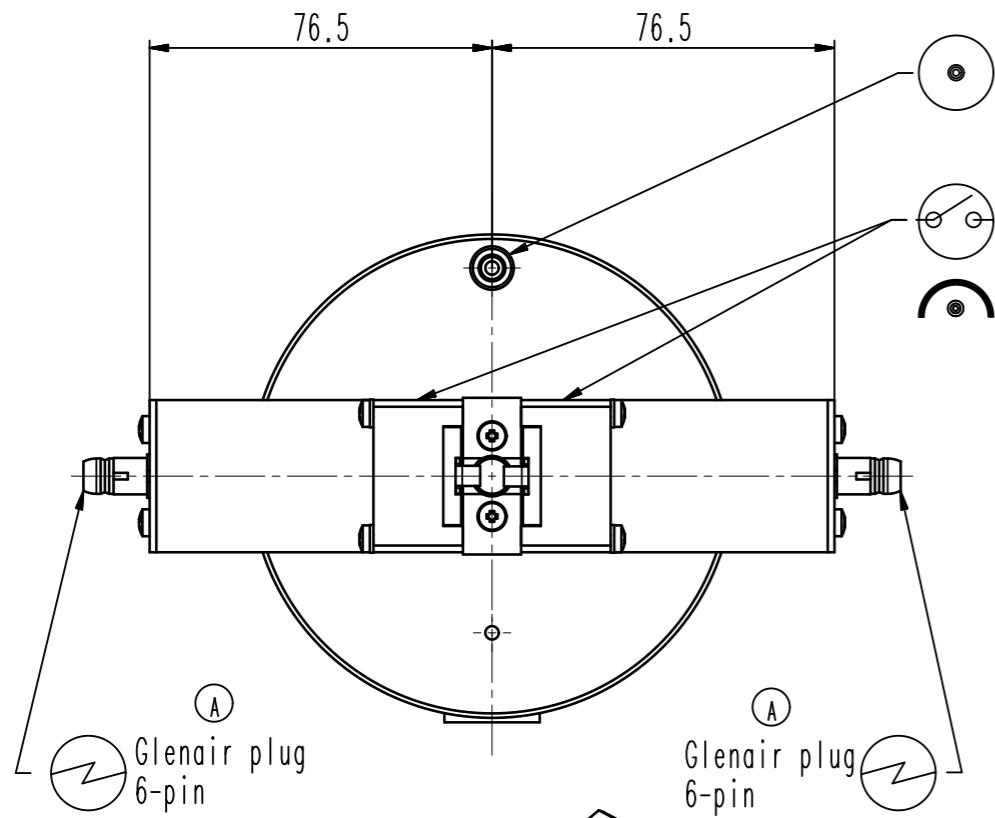


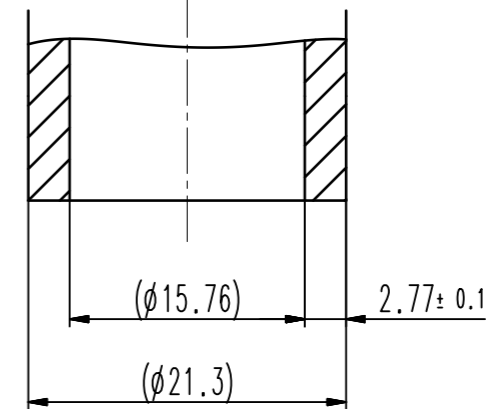
This drawing is the property of VAT.

Revision

Customer number



Detail X



weight: 3.1 kg / 6,8 lbs



center of gravity valve closed



center of gravity valve open

- ▽ Seat side
- ⊙ Comp. air connection
- ⊙ Electrical connection
- ⊙ Leak detection port
- ⊙ Mech. pos. indication
- ⊙ Position indicator
- ✱ Required for dismantling
- ⊙ Emergency actuation
- ⊙ For attachment
- ⊙ Bake-out area
- ⊙ Differential pumping port

### All-metal angle valve

product: valve typ ITER 4; flange A+B; ; weld stub flange:  
Scheduel No. 40S;



VAT Vakuumentile AG

CH-9469 Haag, Switzerland  
Tel ++41 81 7716161 Fax ++41 81 7714830

Rev.-Date: 03.06.20

Visa: LBR

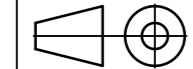
Series

571

Ordering No.

57124-RE21-AJK1

Projection E



DN

16

Flange

R

Dimensional Drawing

996578

Rev.

A

VAT/DA