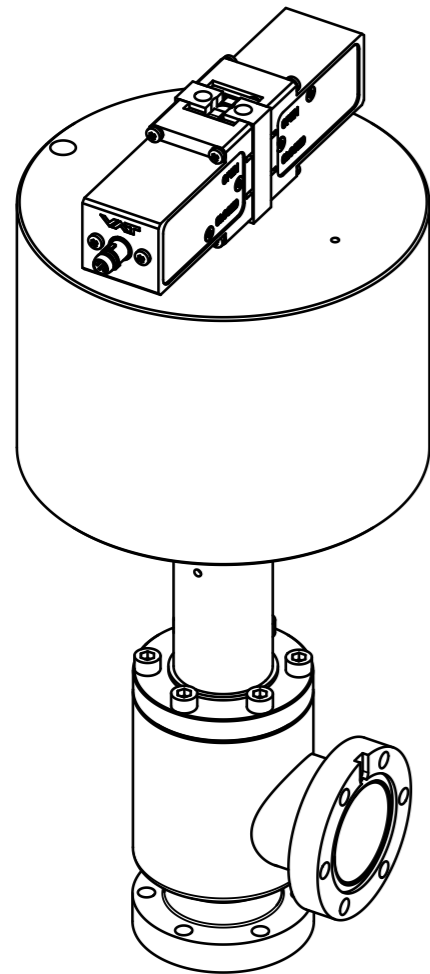
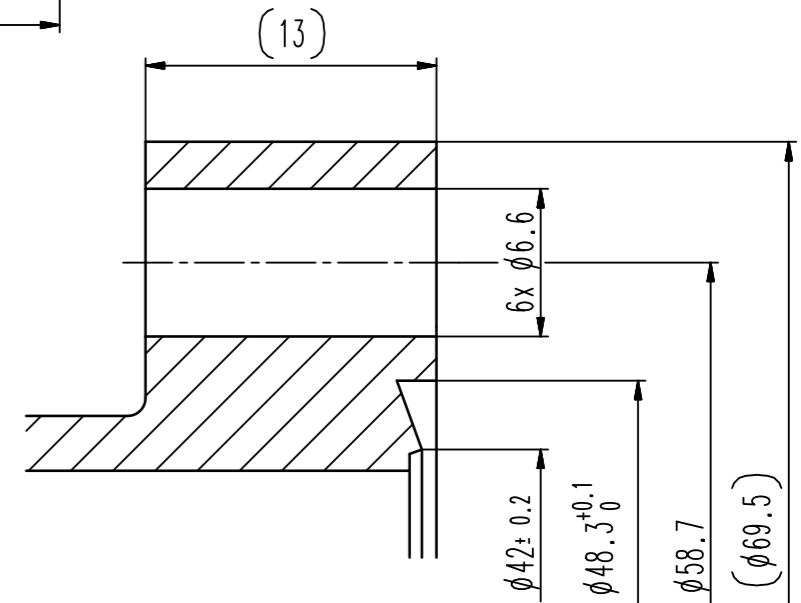
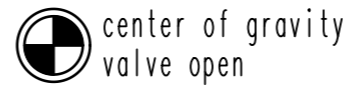
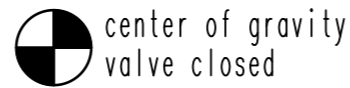


DETAIL X  
CF-F 40



weight: 8,9 kg / 19,6 lbs



- ▼ Seat side
- ⊙ Comp. air connection
- ⊙ Electrical connection
- ⊙ Leak detection port
- ⊙ Mech. pos. indication
- ⊙ Position indicator
- ⊙ Required for dismantling
- ⊙ Emergency actuation
- ⊙ For attachment
- ⊙ Bake-out area
- ⊙ Differential pumping port

### All-metal angle valve

product: valve type ITER 4;



VAT Vakuumentile AG  
CH-9469 Haag, Switzerland  
Tel ++41 81 7716161 Fax ++41 81 7714830

Rev.-Date: 10.06.20  
Visa: LBR

Series	571	Ordering No.	57132-CE21-AHA1
Projection E	DN	Flange	CF-F
	40		
Dimensional Drawing	750330	Rev.	A