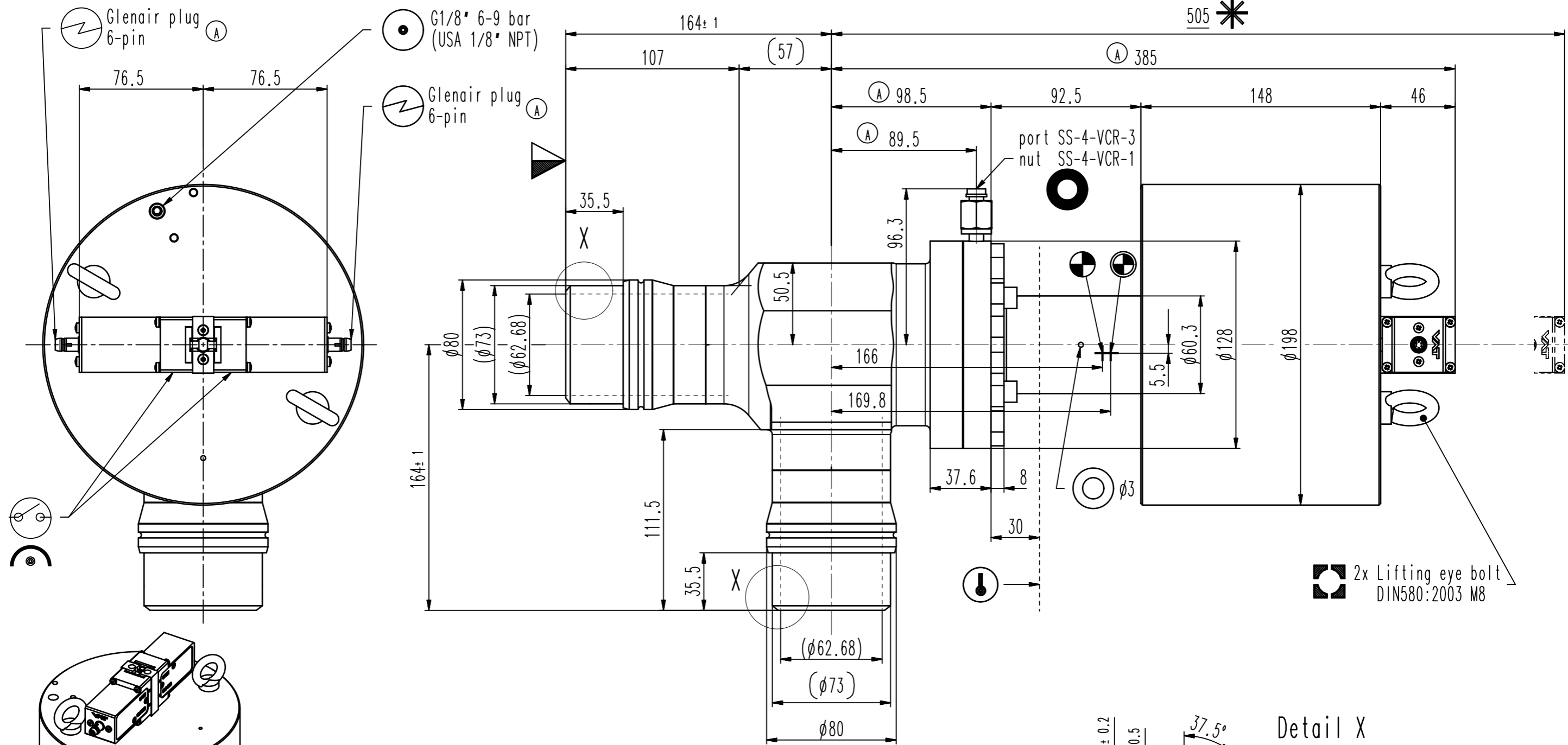


This drawing is the property of VAT.

Revision

Customer number

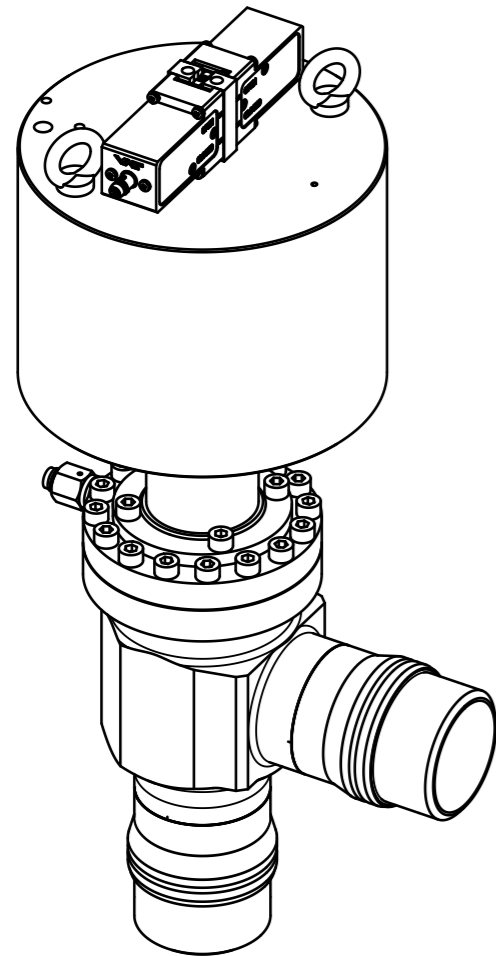
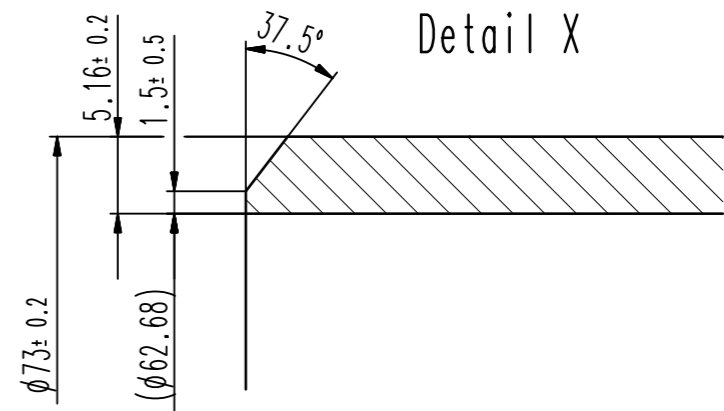


weight: 22.9 kg / 50.5 lbs

○ port VCR 1/4" for intermediate pumping (between two bellows and between two head-flange-seals)

◐ center of gravity valve closed

◑ center of gravity valve open



- ▽ Seat side
- ⊙ Comp. air connection
- ⊙ Electrical connection
- ⊙ Leak detection port
- ⊙ Mech. pos. indication
- ⊙ Position indicator
- ⊙ Required for dismantling
- ⊙ Emergency actuation
- ⊙ For attachment
- ⊙ Bake-out area
- ⊙ Differential pumping port

All-metal angle valve

product: valve typ ITER 51; flange A+B: ; weld stub flange:
Scheduel No. 40S;



VAT Vakuumventile AG

CH-9469 Haag, Switzerland
Tel ++41 81 7716161 Fax ++41 81 7714830

Rev.-Date: 11.06.20

Visa: LBR

Series	570	Ordering No.	57036-RE21-AJD1
Projection E	DN	Flange	R
	63		
Dimensional Drawing	994203	Rev.	A