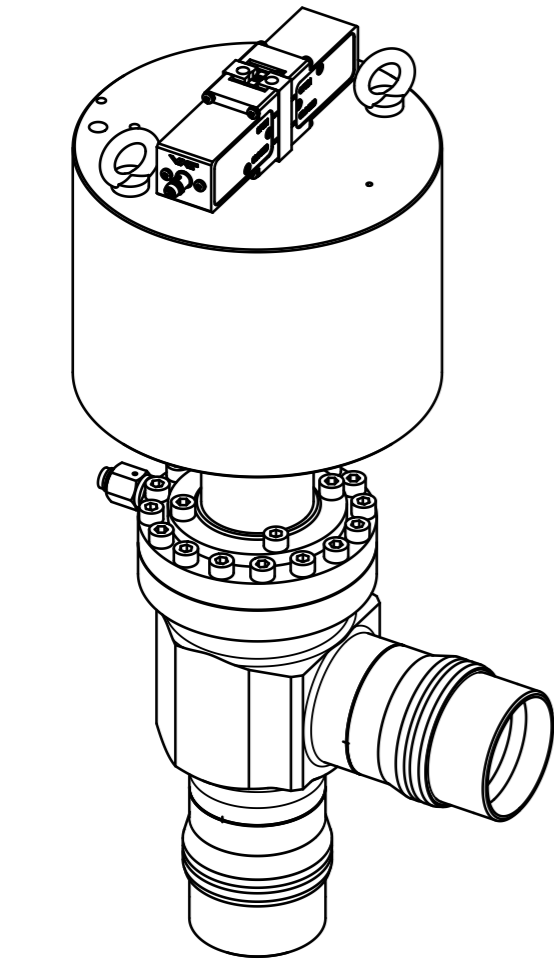
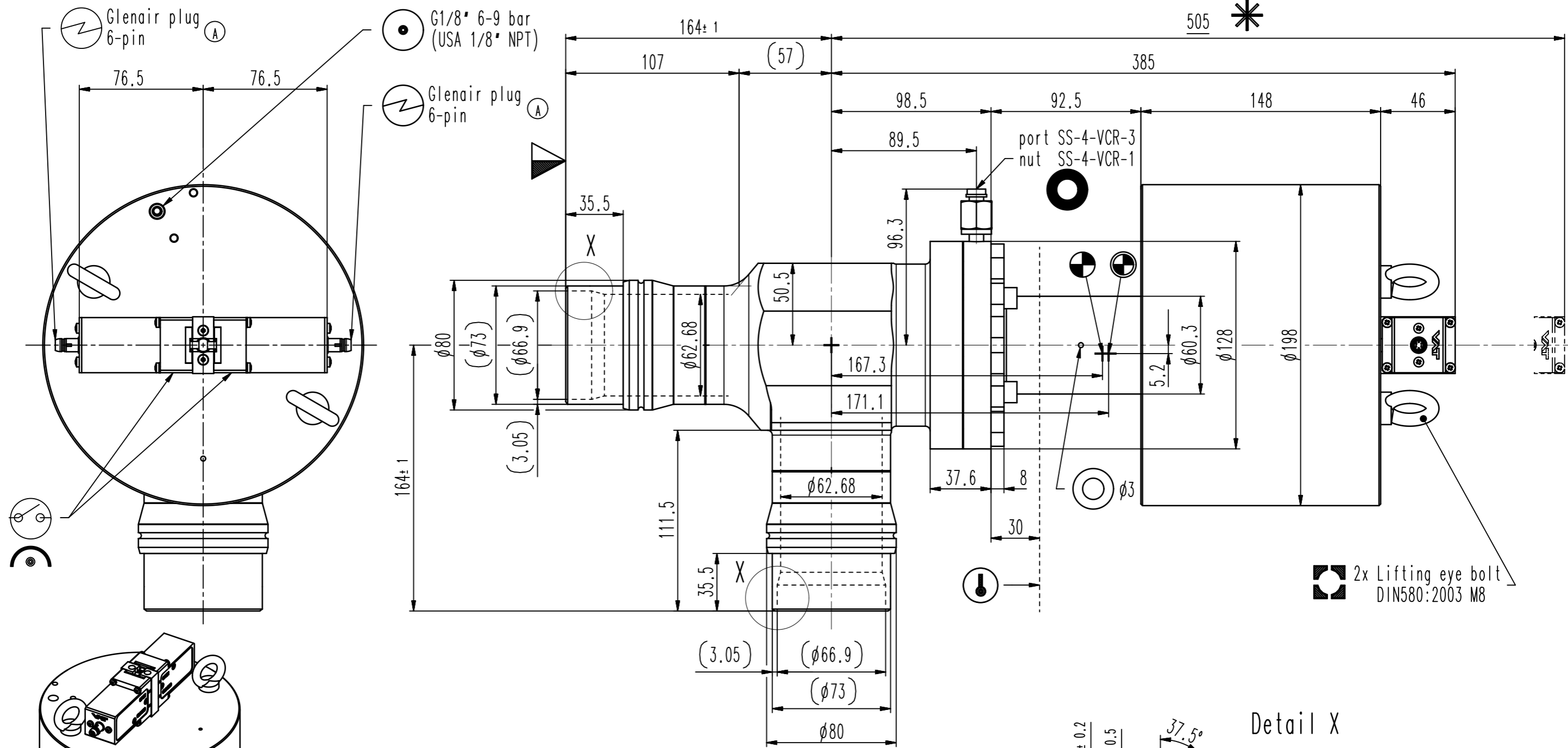


This drawing is the property of VAT.

Revision

Customer number

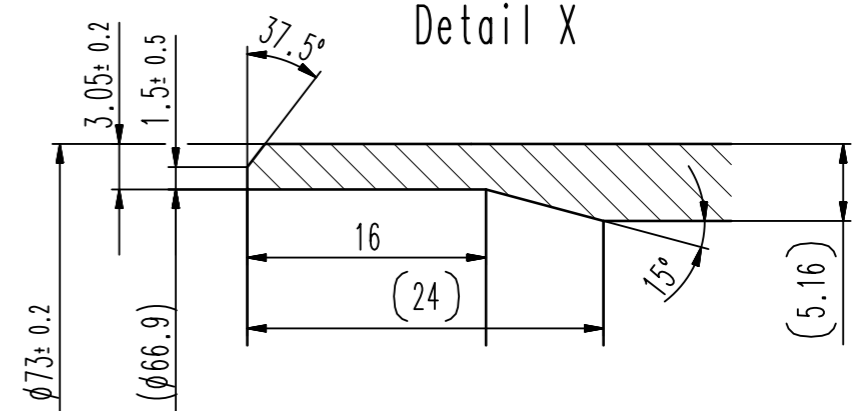


weight: 22.8 kg / 50.3 lbs

○ port VCR 1/4" for intermediate pumping
(between two bellows and between two head-flange-seals)

◐ center of gravity
valve closed

◑ center of gravity
valve open



- ▽ Seat side
- ⊙ Comp. air connection
- ⊙ Electrical connection
- ⊙ Leak detection port
- ⊙ Mech. pos. indication
- ⊙ Position indicator
- ⊙ Required for dismantling
- ⊙ Emergency actuation
- ⊙ For attachment
- ⊙ Bake-out area
- ⊙ Differential pumping port

All-metal angle valve
 product: valve typ ITER 51; flange A+B: ; weld stub flange:
 Scheduel No. 10S;

VAT VAT Vakuumventile AG
 CH-9469 Haag, Switzerland
 Tel ++41 81 7716161 Fax ++41 81 7714830

Rev.-Date: 11.06.20
 Visa: LBR

Series	570	Ordering No.	57036-RE21-AJE1
Projection E	DN	Flange	R
63			
Dimensional Drawing	994254	Rev.	A