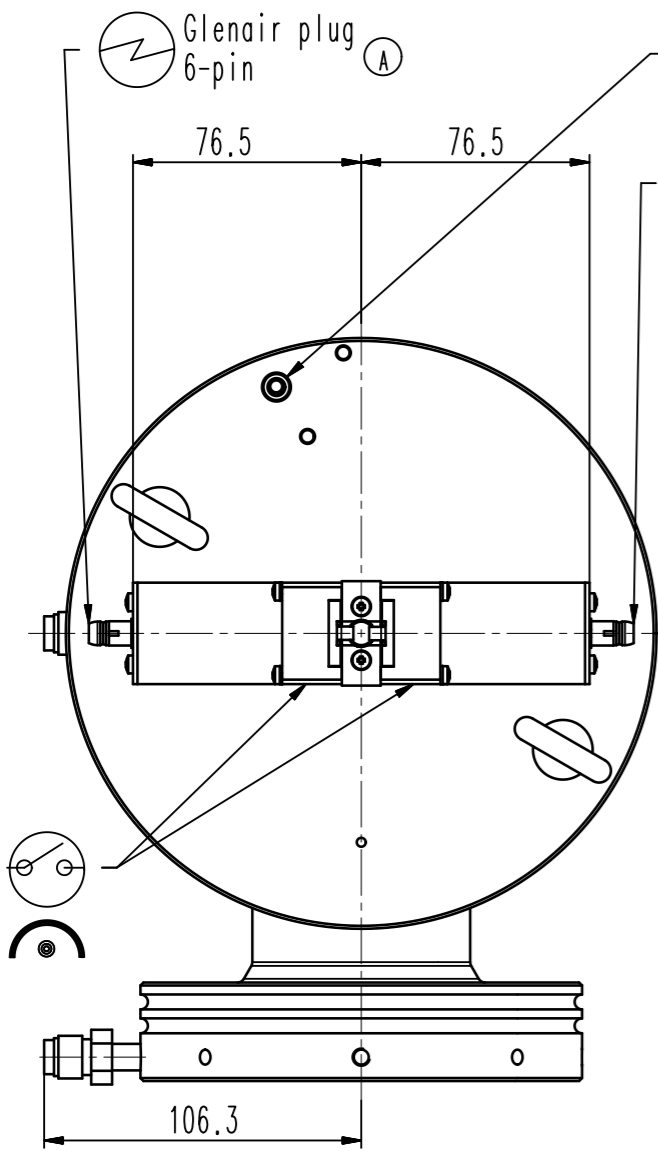


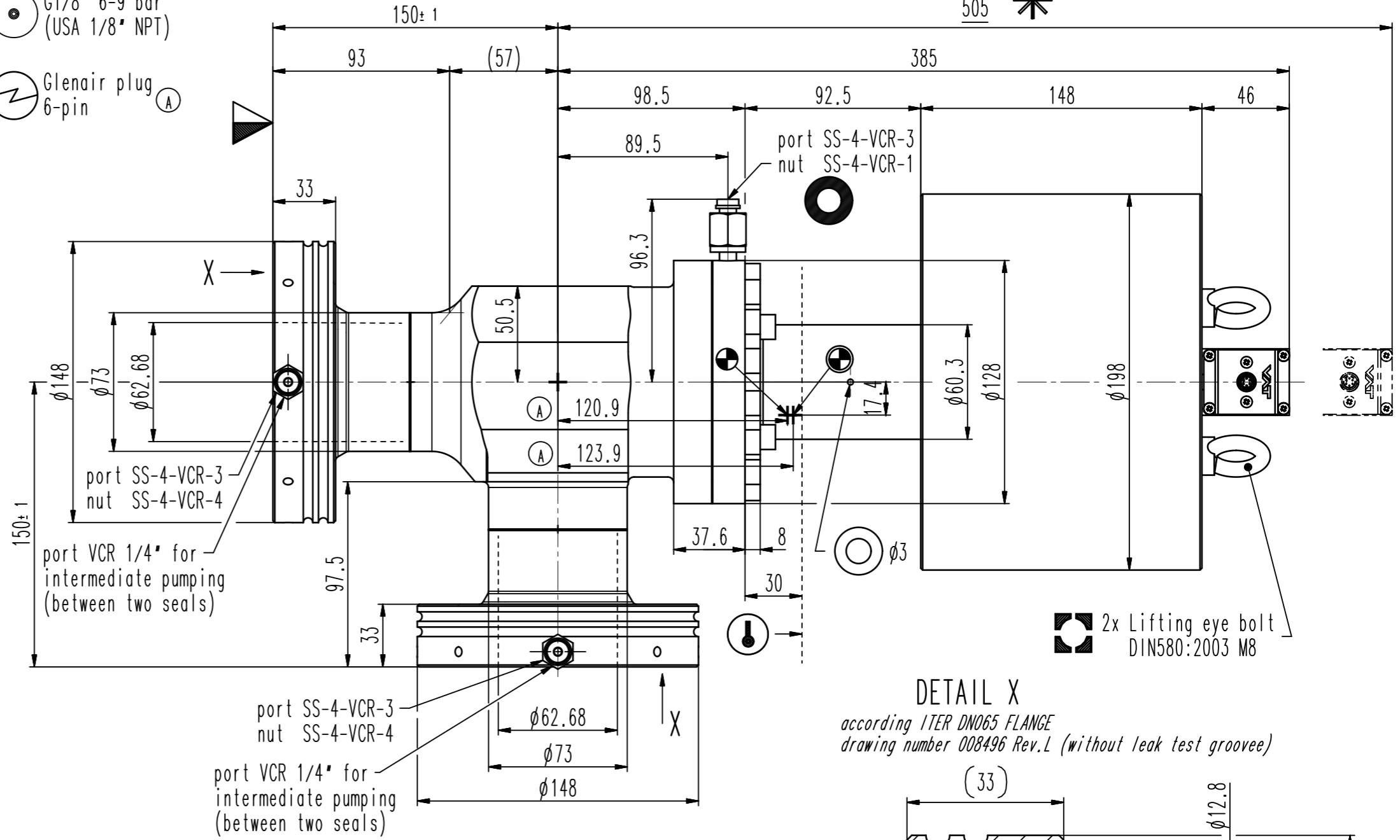
This drawing is the property of VAT.

Revision

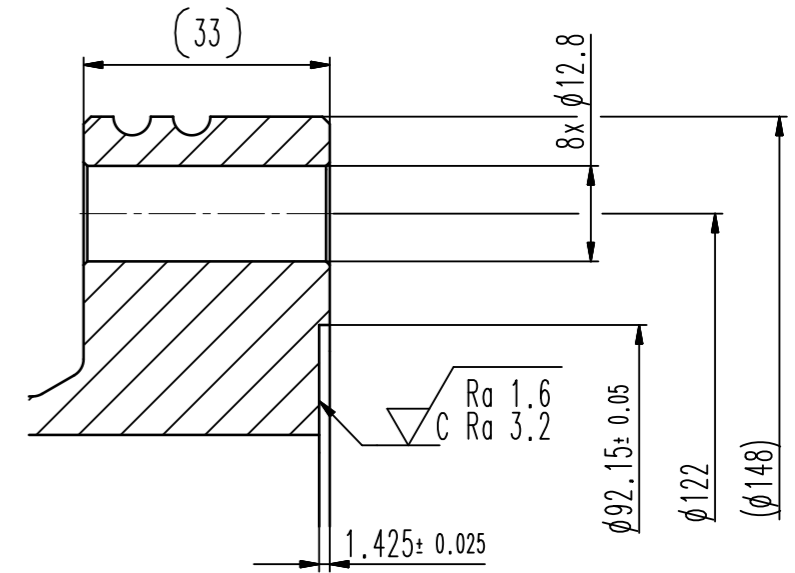
Customer number



- G1/8" 6-9 bar (USA 1/8" NPT)
- Glenair plug 6-pin

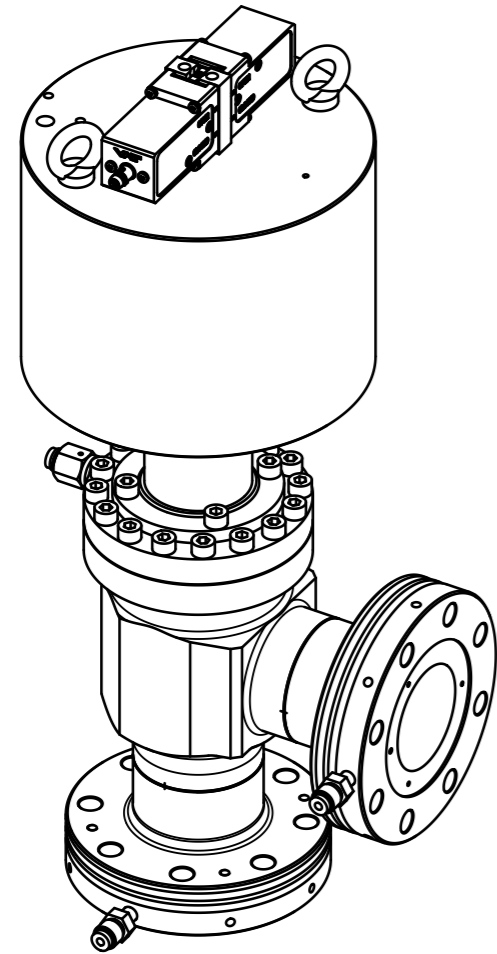


DETAIL X  
according ITER DN065 FLANGE  
drawing number 008496 Rev.L (without leak test groove)



weight: 28.5 kg / 62.8 lbs

- port VCR 1/4" for intermediate pumping (between two bellows and between two head-flange-seals)
- center of gravity valve closed
- center of gravity valve open



- Seat side
- Comp. air connection
- Electrical connection
- Leak detection port
- Mech. pos. indication
- Position indicator
- Required for dismantling
- Emergency actuation
- For attachment
- Bake-out area
- Differential pumping port

All-metal angle valve

product: valve type ITER 51; flange A+B: ; type ITER;



VAT Vakuumventile AG  
CH-9469 Haag, Switzerland  
Tel ++41 81 7716161 Fax ++41 81 7714830

Rev.-Date: 11.06.20  
Visa: LBR

Series	570	Ordering No.	57036-XE21-AJF1
Projection E	DN	Flange	X
	63		
Dimensional Drawing	994292	Rev.	A