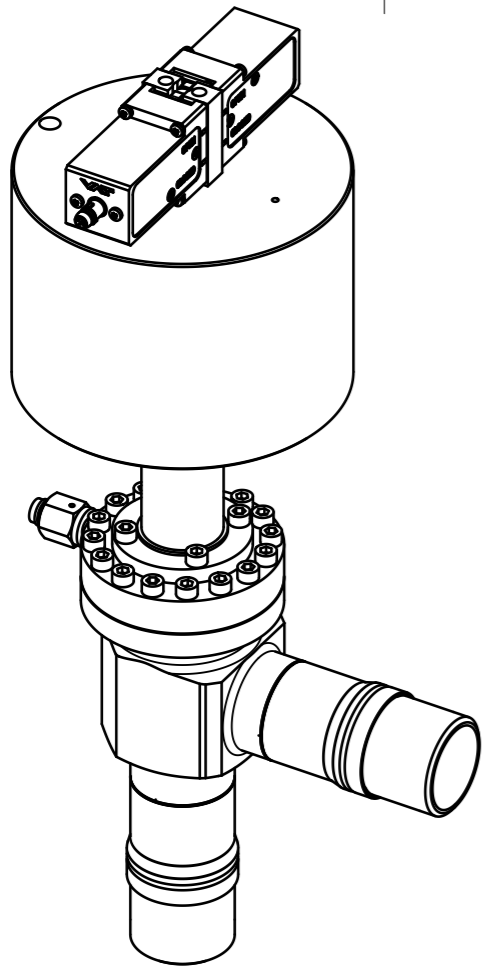
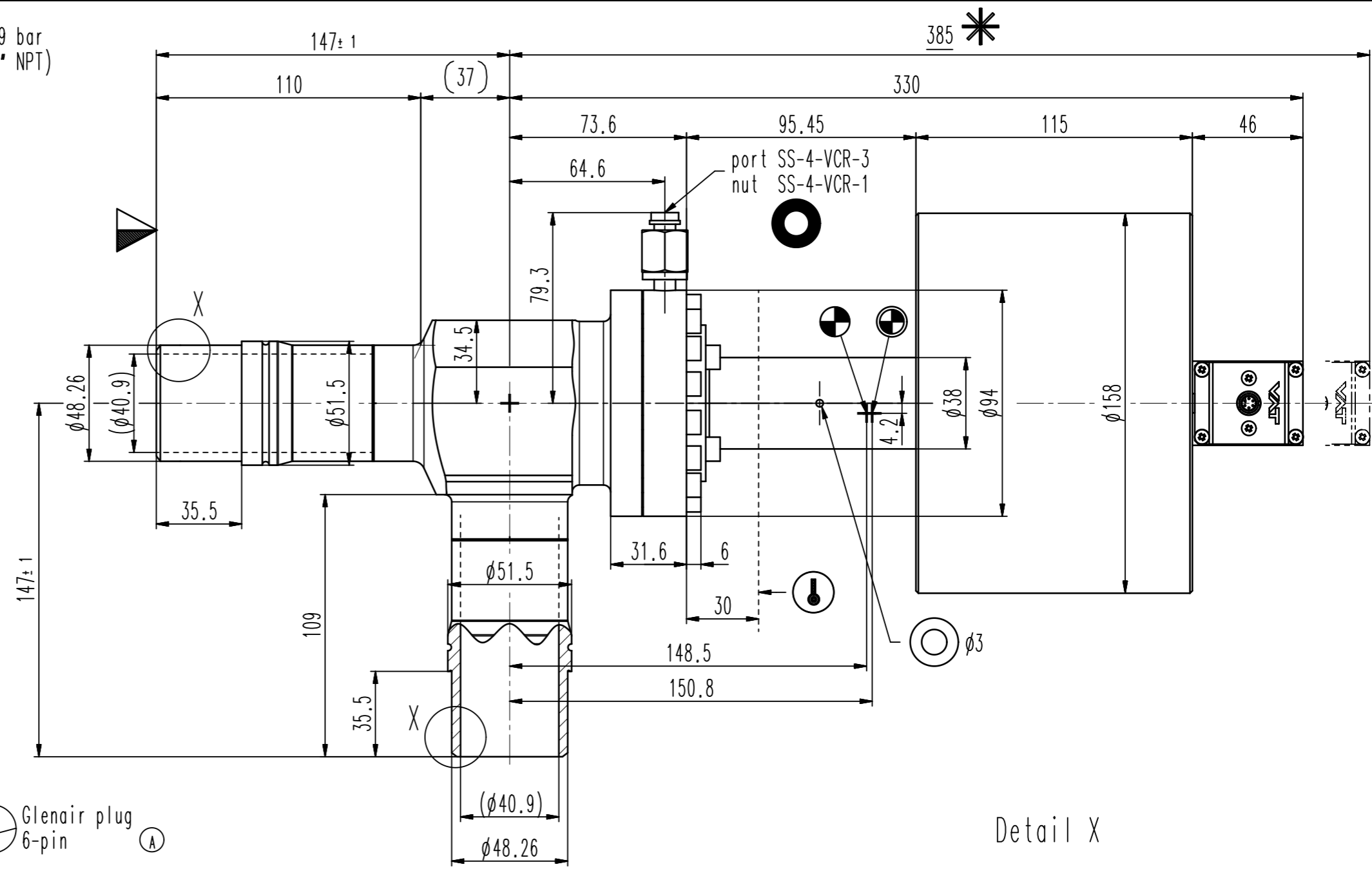
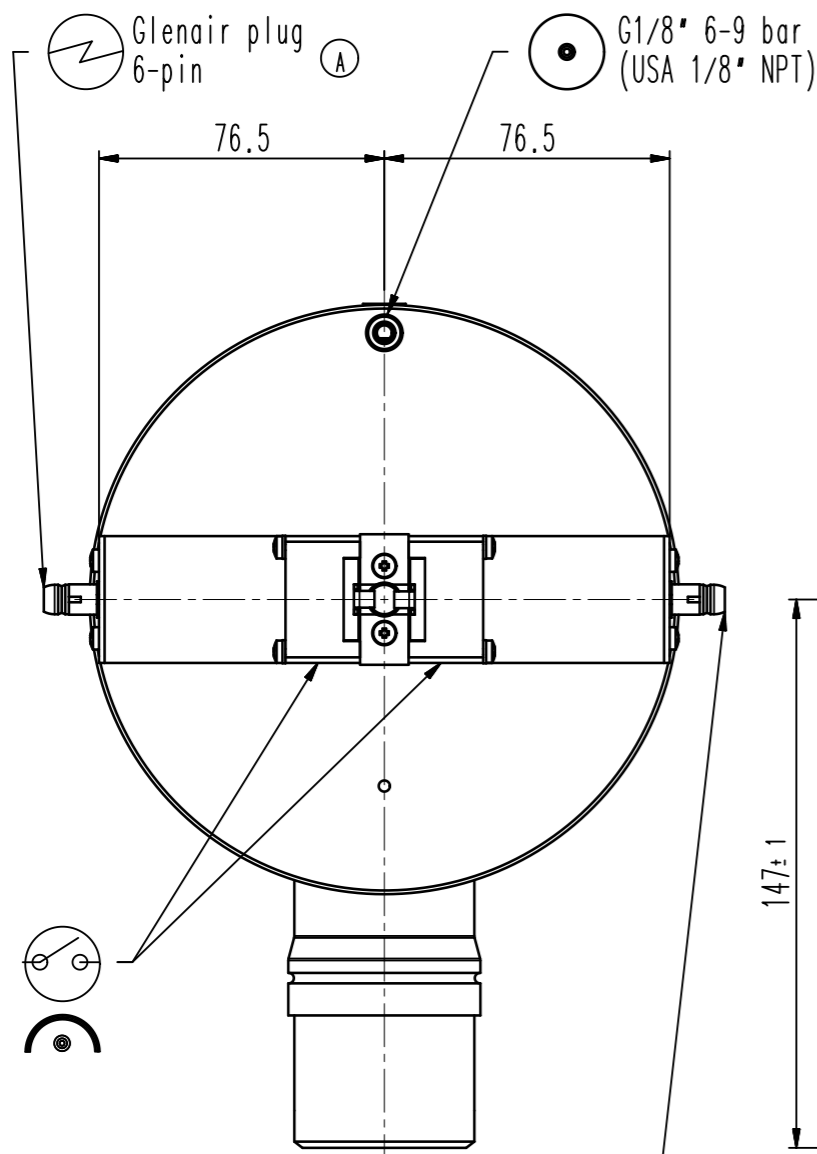


This drawing is the property of VAT.

Revision

Customer number



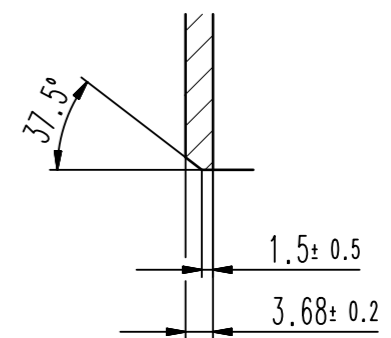
weight: 10.8 kg / 23.8 lbs

port VCR 1/4" for intermediate pumping (between two bellows and between two head-flange-seals)

center of gravity valve closed

center of gravity valve open

Detail X



- Seat side
- Comp. air connection
- Electrical connection
- Leak detection port
- Mech. pos. indication
- Position indicator
- Required for dismantling
- Emergency actuation
- For attachment
- Bake-out area
- Differential pumping port

### All-metal angle valve

product: valve typ ITER 51; flange A+B: ; weld stub flange:  
Scheduel No. 40S;



VAT Vakuumventile AG

CH-9469 Haag, Switzerland  
Tel ++41 81 7716161 Fax ++41 81 7714830

Rev.-Date: 10.06.20

Visa: LBR

Series	571	Ordering No.	57132-RE21-AJD1
Projection E		DN	40
Flange			R
Dimensional Drawing			994307
Rev.			A