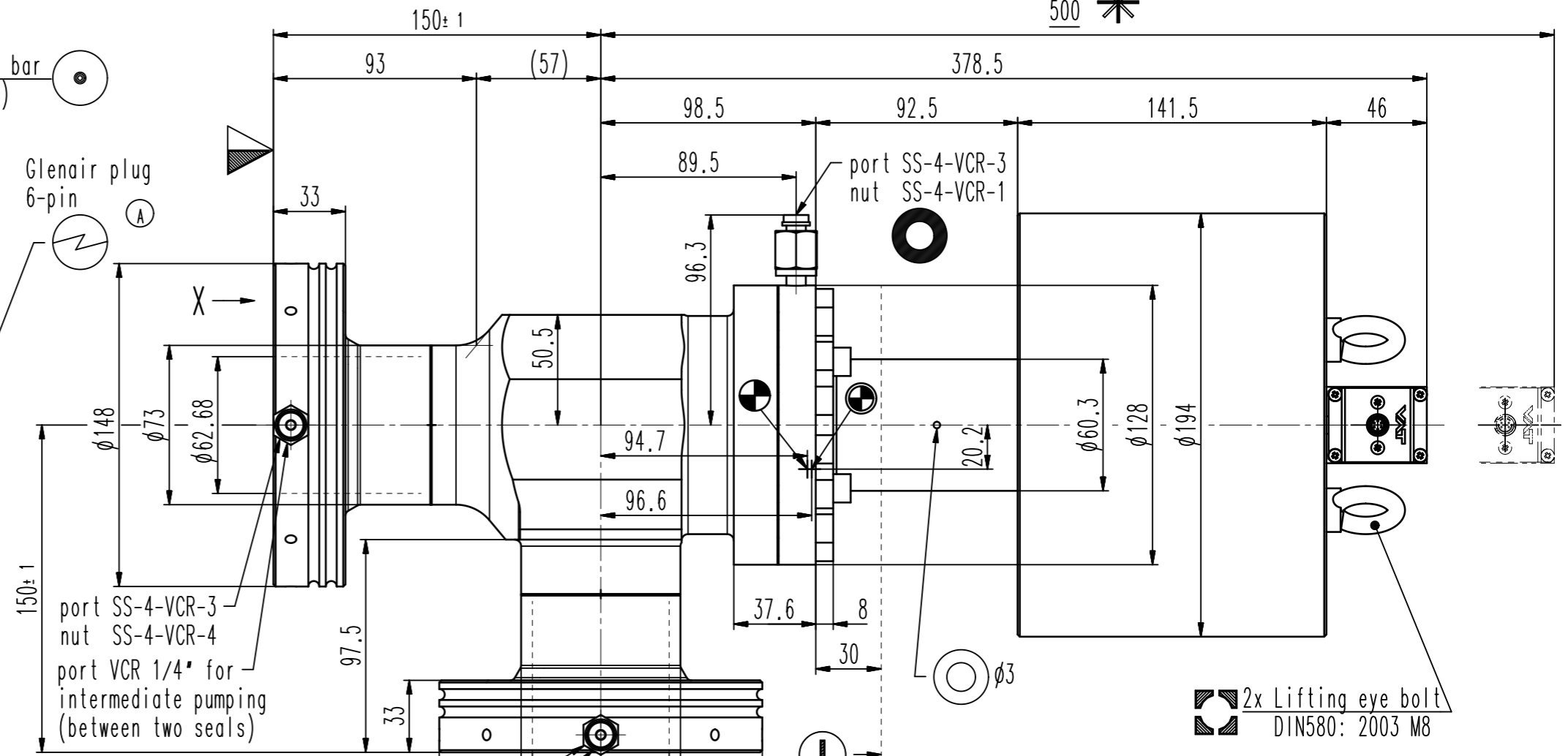
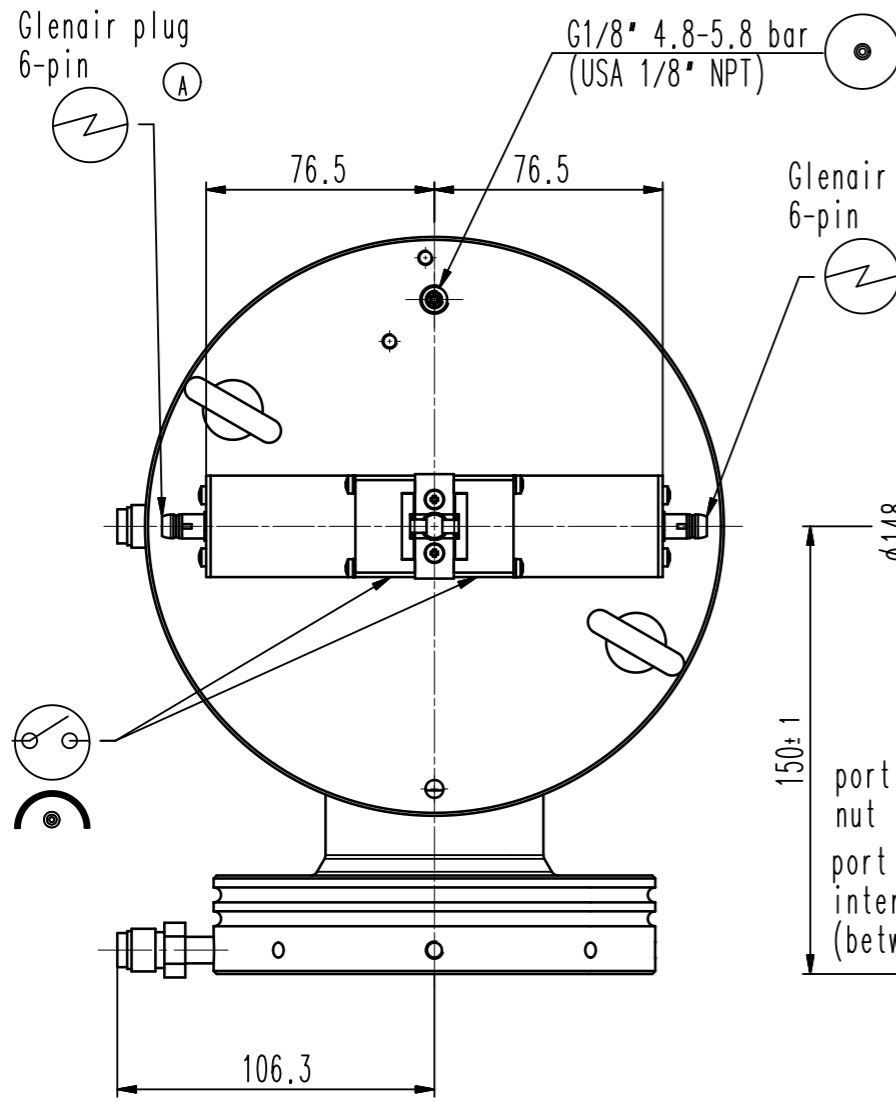


This drawing is the property of VAT.

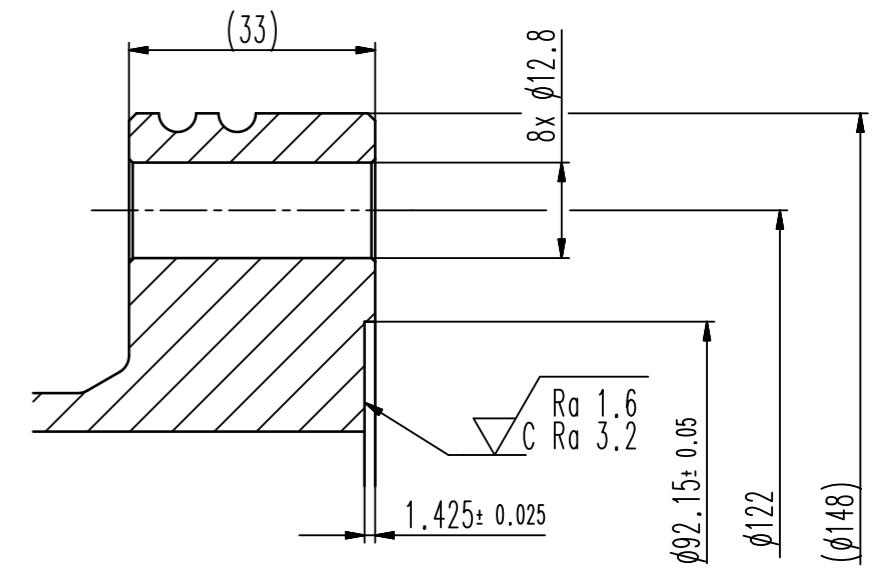
Revision

Customer number



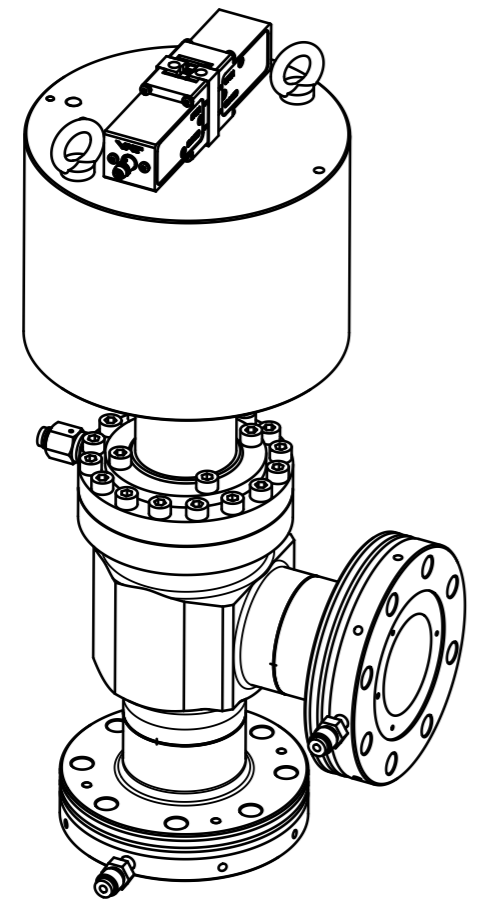
2x Lifting eye bolt  
DIN580: 2003 M8

**DETAIL X**  
according ITER DN065 FLANGE  
drawing number 008496 Rev.L (without leak test groove)



weight: 24.4 kg / 53.8 lbs

- port VCR 1/4" for intermediate pumping (between two bellows and between two head-flange-seals)
- center of gravity valve closed
- center of gravity valve open



- Seat side
- Comp. air connection
- Electrical connection
- Leak detection port
- Mech. pos. indication
- Position indicator
- Required for dismantling
- Emergency actuation
- For attachment
- Bake-out area
- Differential pumping port

**All-metal angle valve**  
product: valve type ITER 52; flange A+B: ; type ITER;

**VAT** Vakuumentile AG  
CH-9469 Haag, Switzerland  
Tel ++41 81 7716161 Fax ++41 81 7714830

Rev.-Date: 12.06.20  
Visa: LBR

Series	570	Ordering No.	57036-XE22-AJG1
Projection E	DN	Flange	X
	63		
Dimensional Drawing	994366	Rev.	A