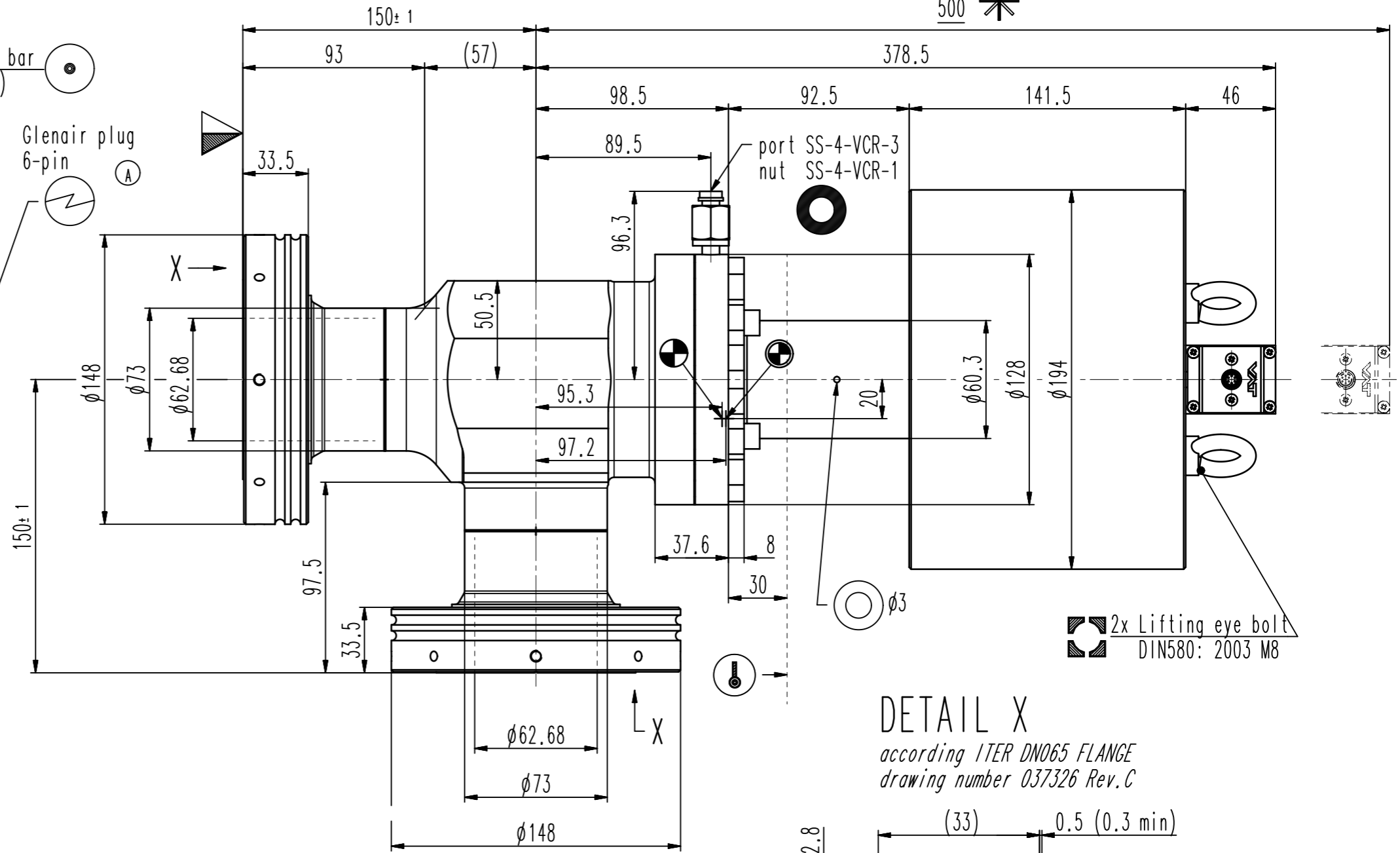
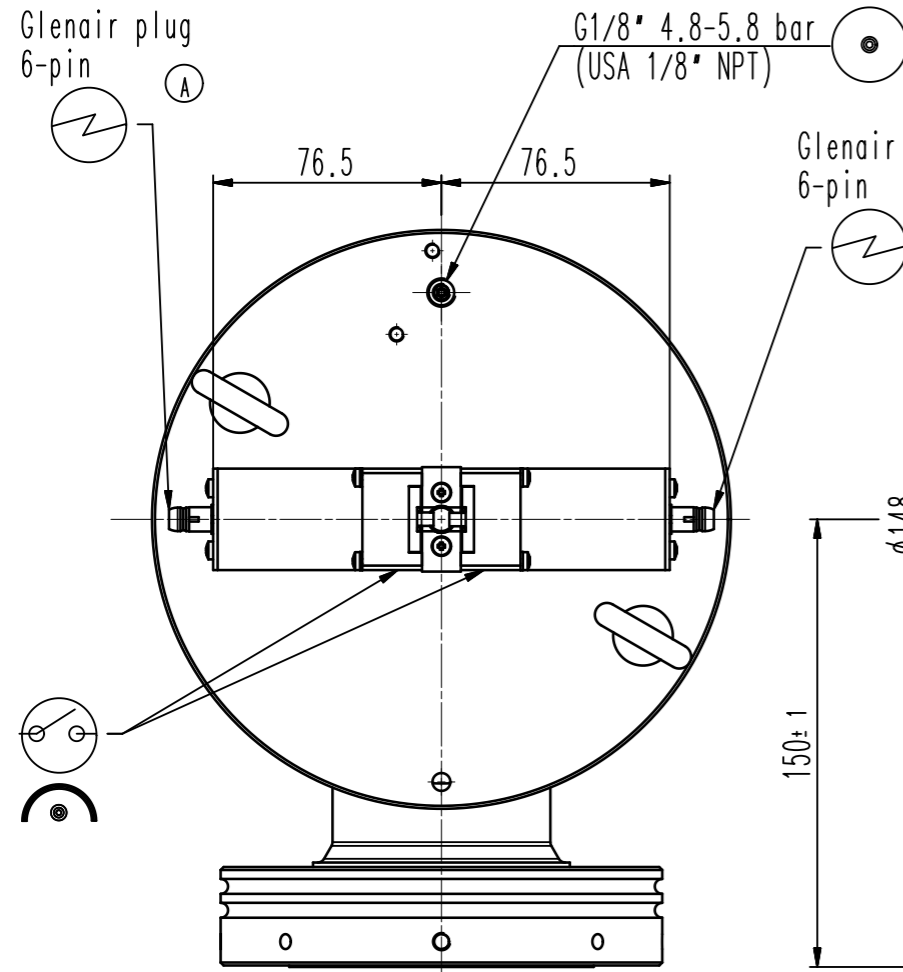


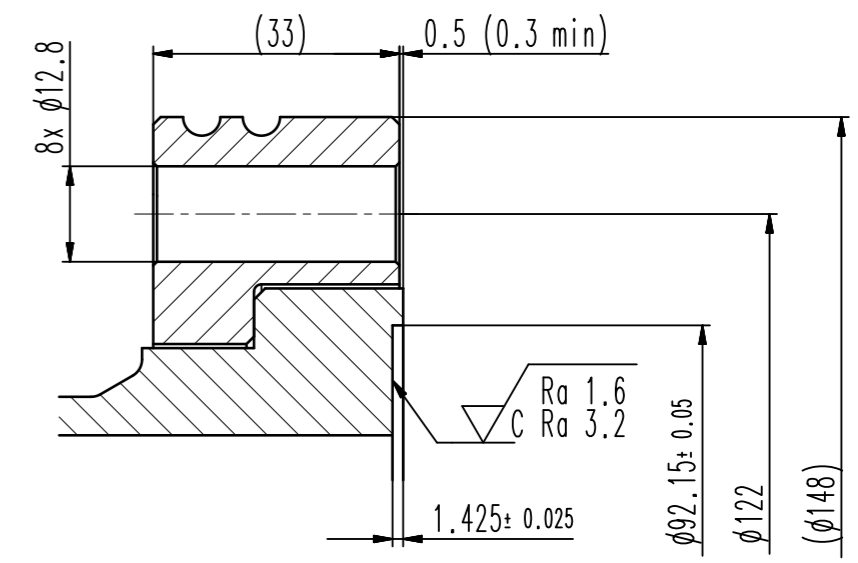
This drawing is the property of VAT.

Revision

Customer number

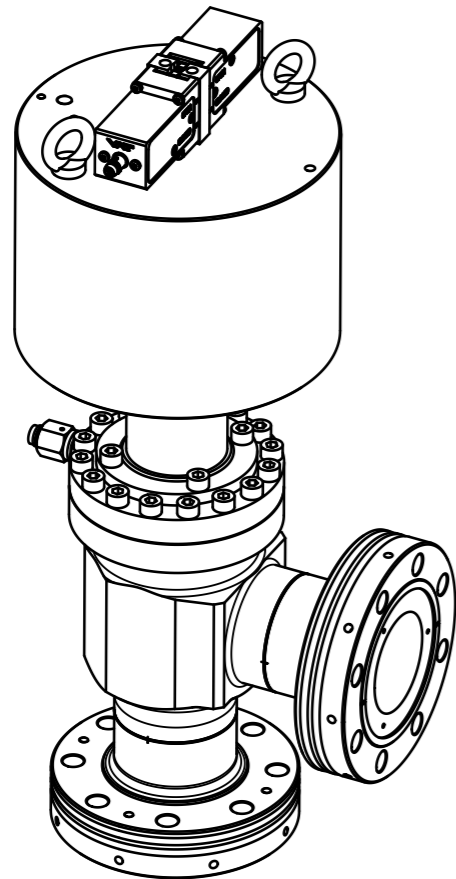


DETAIL X  
according ITER DN065 FLANGE  
drawing number 037326 Rev.C



weight: 24.3 kg / 53.6 lbs

- port VCR 1/4" for intermediate pumping (between two bellows and between two head-flange-seals)
- center of gravity valve closed
- center of gravity valve open



- Seat side
- Comp. air connection
- Electrical connection
- Leak detection port
- Mech. pos. indication
- Position indicator
- Required for dismantling
- Emergency actuation
- For attachment
- Bake-out area
- Differential pumping port

### All-metal angle valve

product: valve type ITER 52; flange A+B: ; type ITER; rotatable;



VAT Vakuumentile AG

CH-9469 Haag, Switzerland  
Tel ++41 81 7716161 Fax ++41 81 7714830

Rev.-Date: 12.06.20

Visa: LBR

Series	570	Ordering No.	57036-XE22-AJJ1
Projection E	63	DN	Flange
Dimensional Drawing	995083	Rev.	A