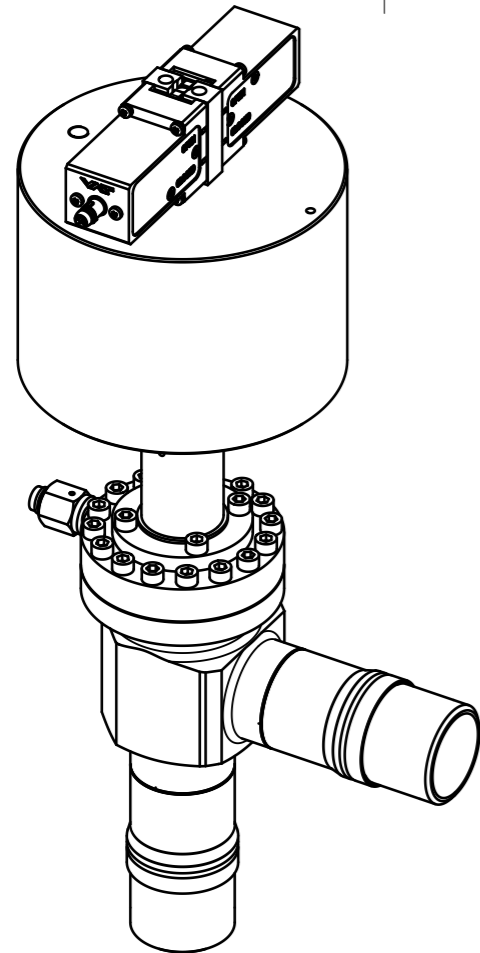
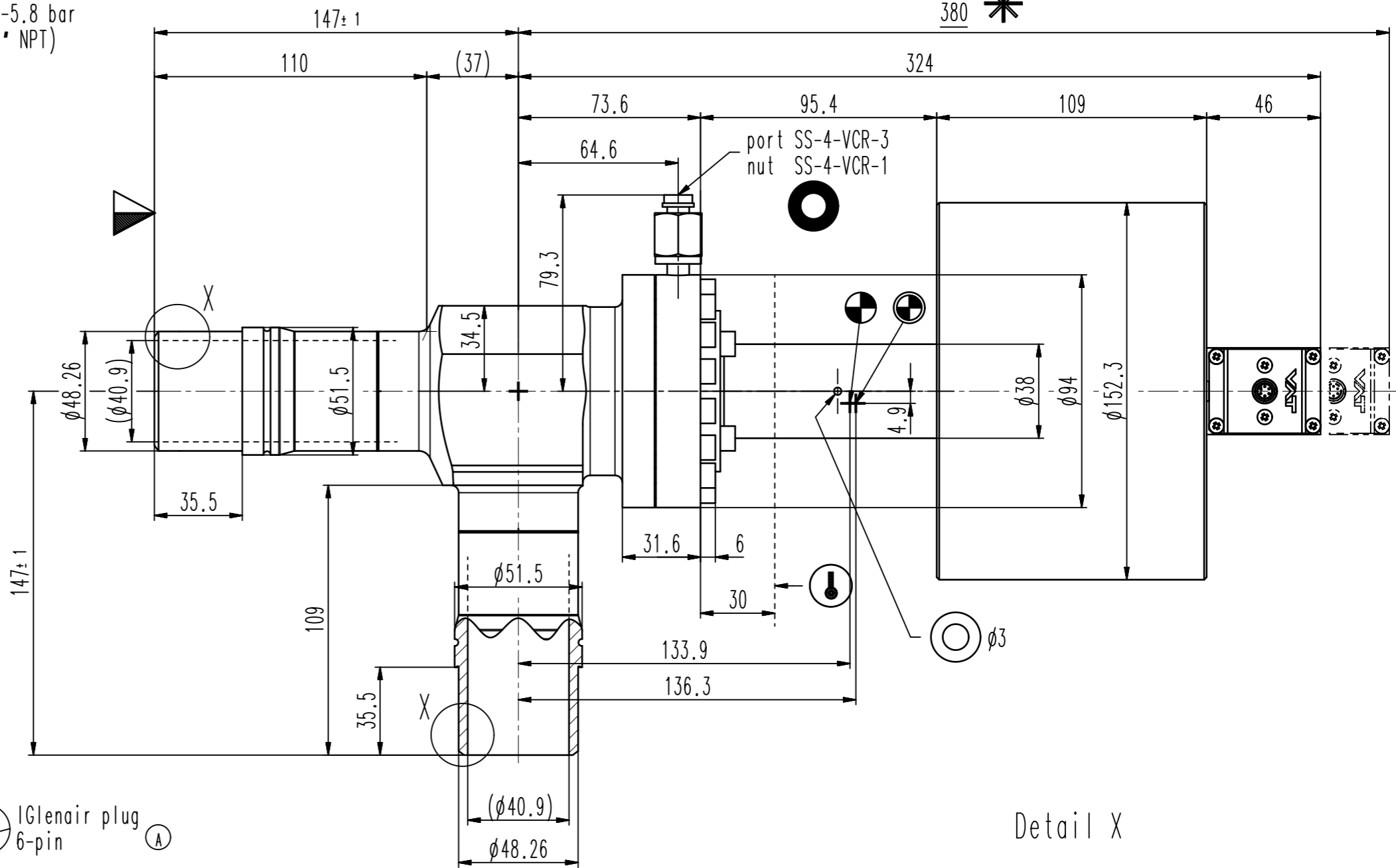
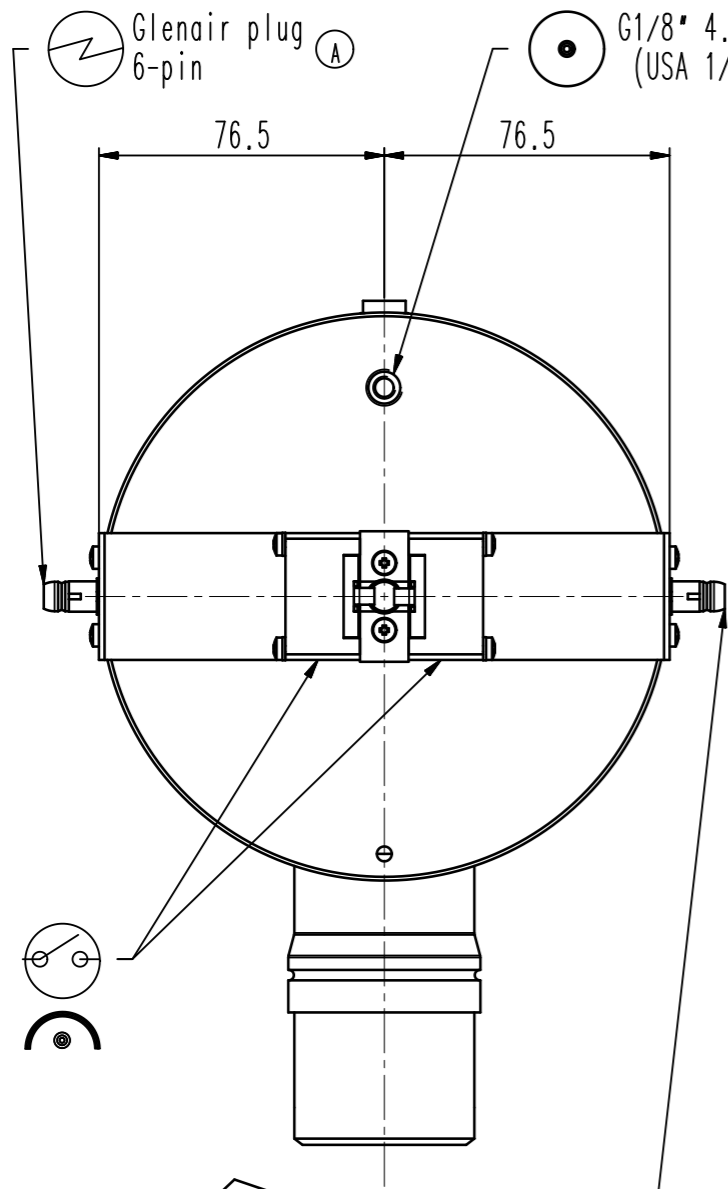


This drawing is the property of VAT.

Revision

Customer number



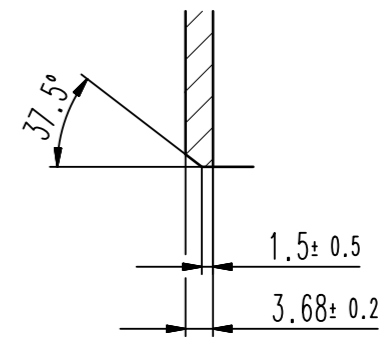
weight: 9.3 kg / 20.5 lbs

port VCR 1/4" for intermediate pumping (between two bellows and between two head-flange-seals)

center of gravity valve closed

center of gravity valve open

Detail X



- Seat side
- Comp. air connection
- Electrical connection
- Leak detection port
- Mech. pos. indication
- Position indicator
- Required for dismantling
- Emergency actuation
- For attachment
- Bake-out area
- Differential pumping port

All-metal angle valve

product: valve typ ITER 52; flange A+B; ; weld stub flange: Scheduel No. 40S;



VAT Vakuumventile AG

CH-9469 Haag, Switzerland
Tel ++41 81 7716161 Fax ++41 81 7714830

Rev.-Date: 10.06.20

Visa: LBR

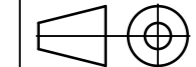
Series

571

Ordering No.

57132-RE22-AJ11

Projection E



DN

40

Flange

R

Dimensional Drawing

995824

Rev.

A

VAT/DA