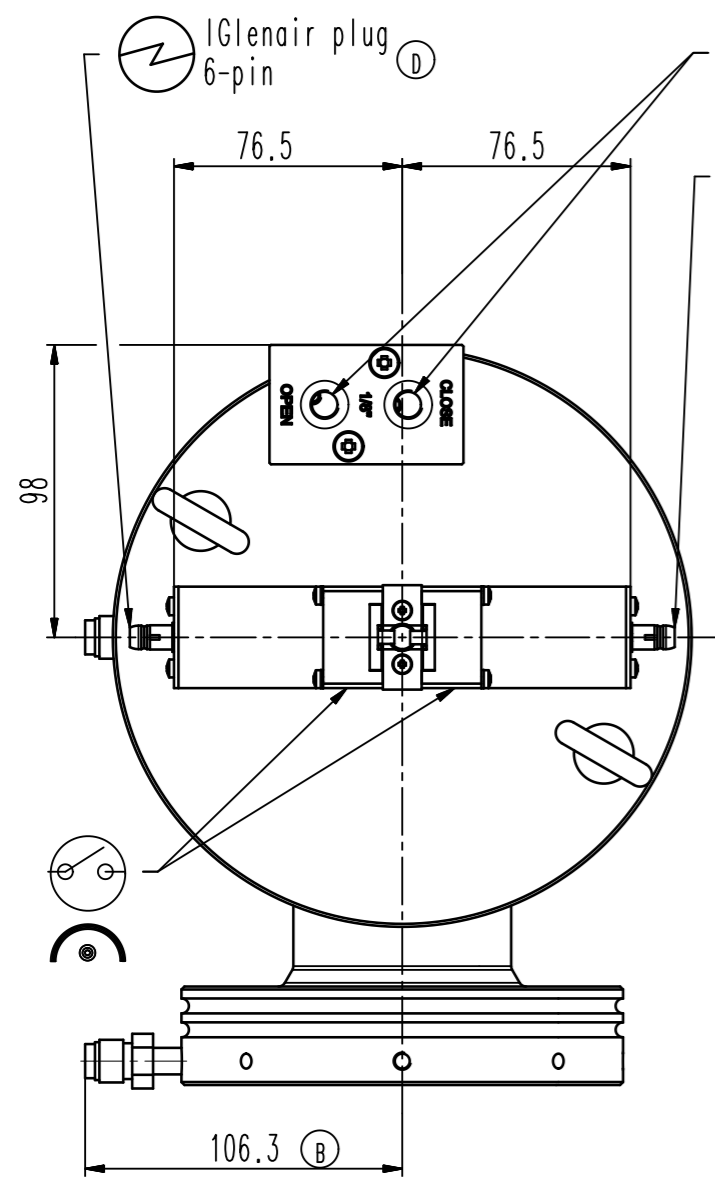


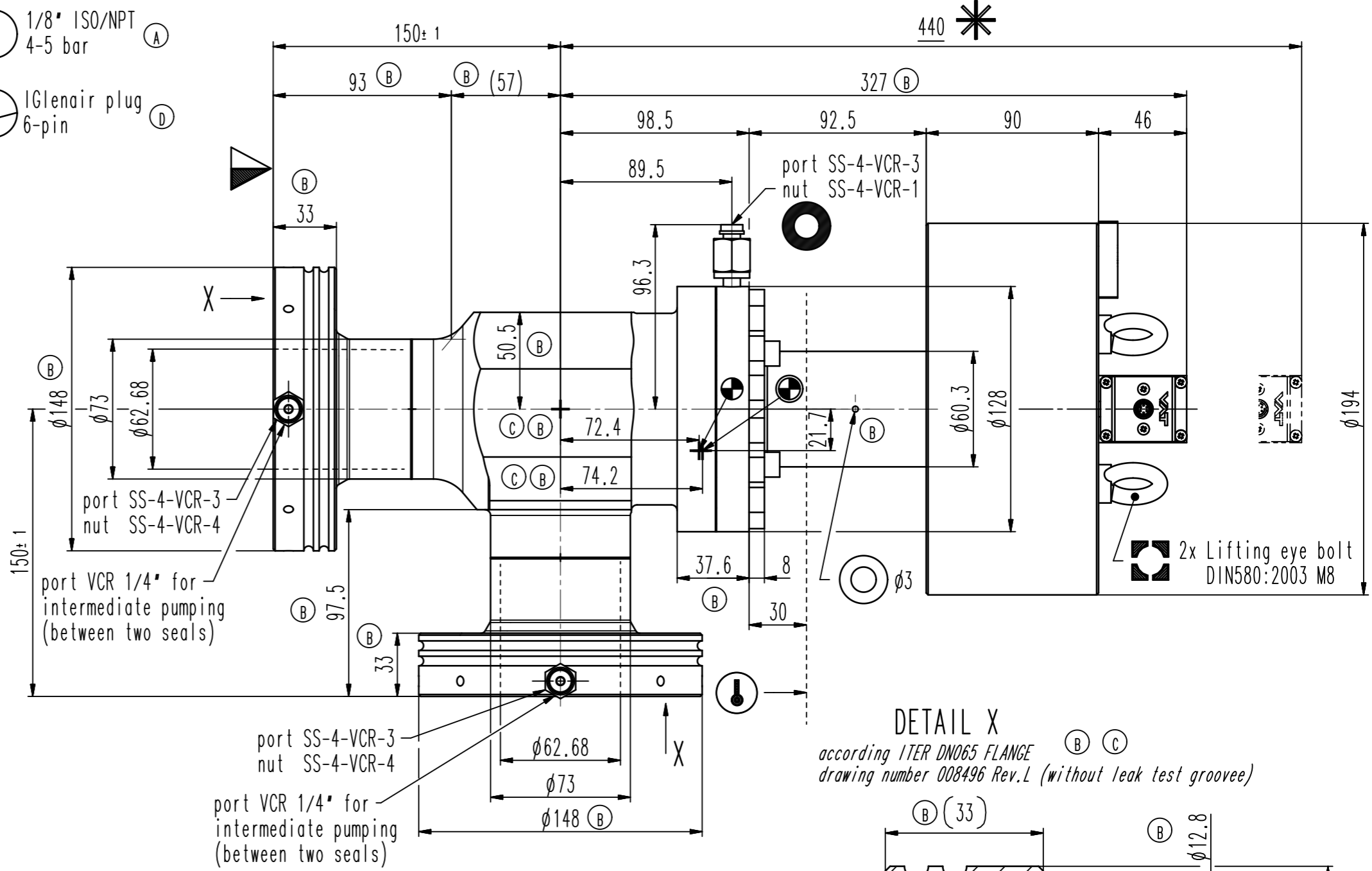
This drawing is the property of VAT.

Revision

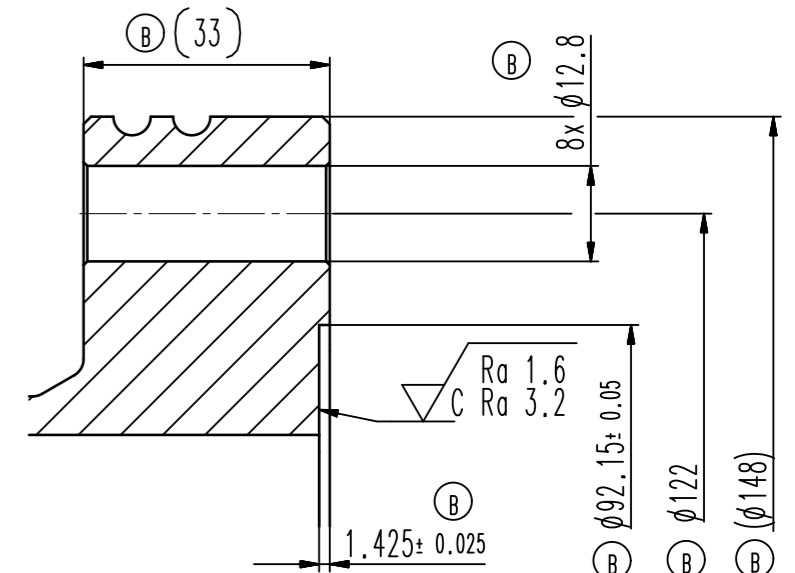
Customer number



- 1/8" ISO/NPT 4-5 bar (A)
- IGlenair plug 6-pin (D)

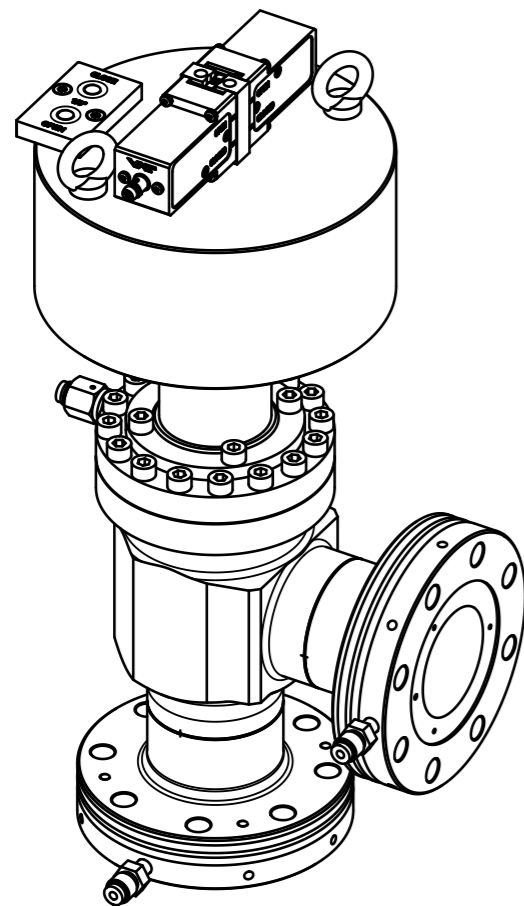


DETAIL X
according ITER DN065 FLANGE (B) (C)
drawing number 008496 Rev.L (without leak test groovee)



weight: 22.5 kg / 49.6 lbs

- port VCR 1/4" for intermediate pumping (between two bellows and between two head-flange-seals)
- center of gravity valve closed
- center of gravity valve open



- Seat side
- Comp. air connection
- Electrical connection
- Leak detection port
- Mech. pos. indication
- Position indicator
- Required for dismantling
- Emergency actuation
- For attachment
- Bake-out area
- Differential pumping port

All-metal angle valve

product: valve type ITER 5; flange A+B; ; type ITER;



VAT Vakuumventile AG

CH-9469 Haag, Switzerland
Tel ++41 81 7716161 Fax ++41 81 7714830

Rev.-Date: 11.06.20

Visa: LBR

Series	570	Ordering No.	57036-XE24-AHB1
Projection E	DN	Flange	X
	63		
Dimensional Drawing	749439	Rev.	D