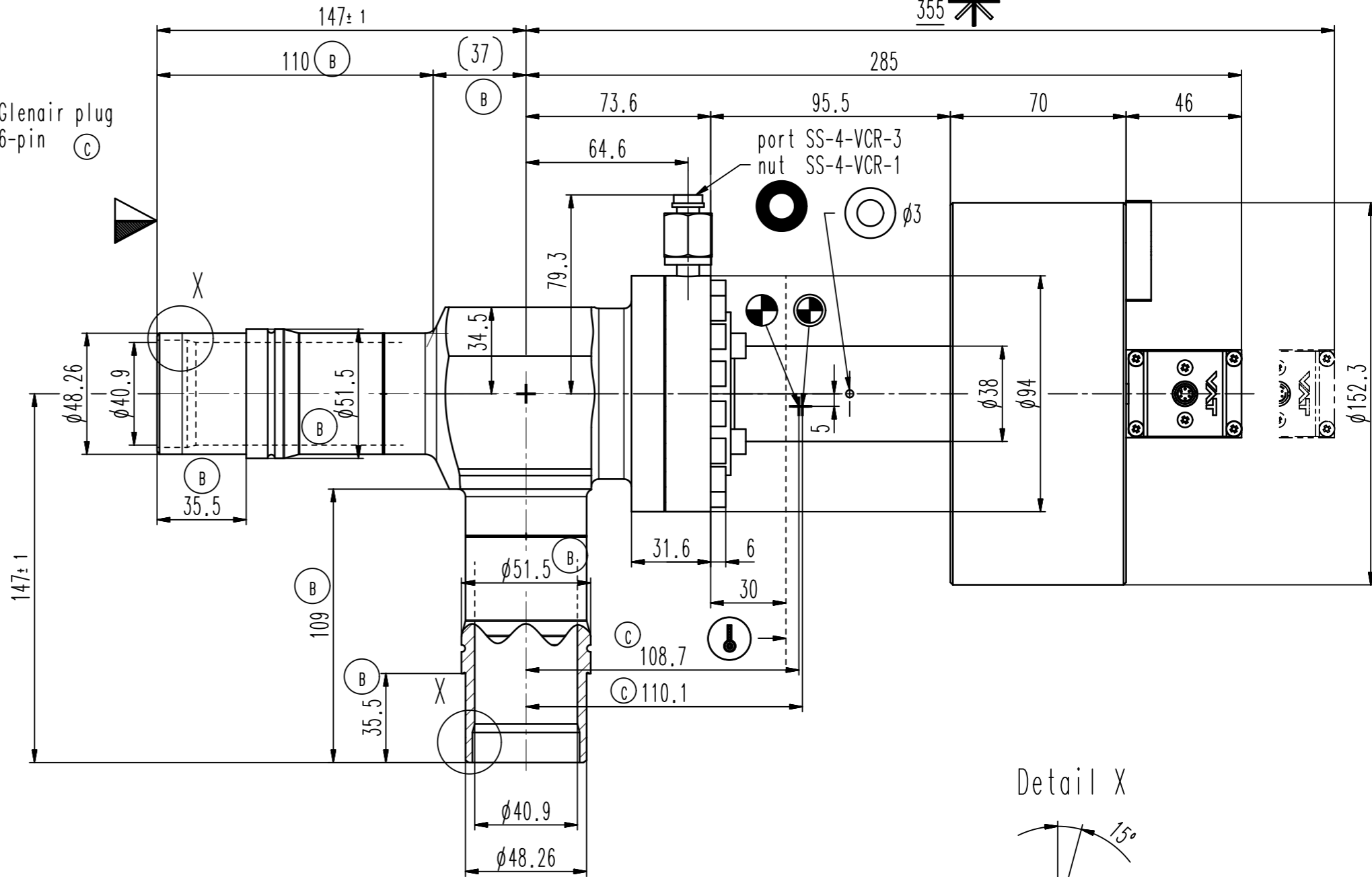
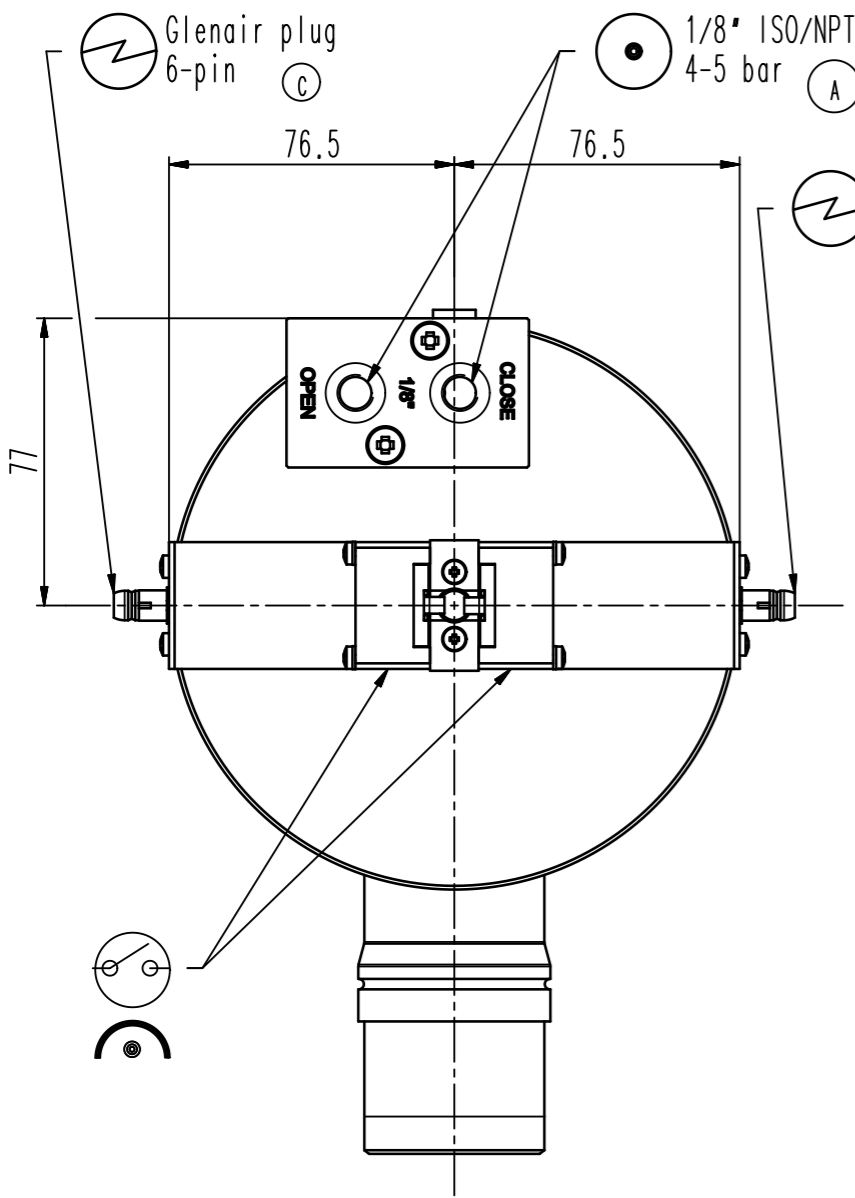


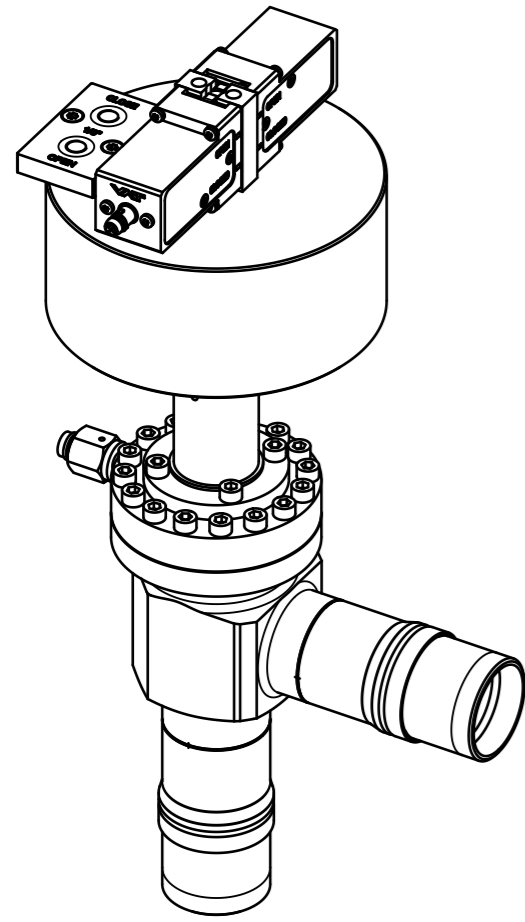
This drawing is the property of VAT.

Revision

Customer number

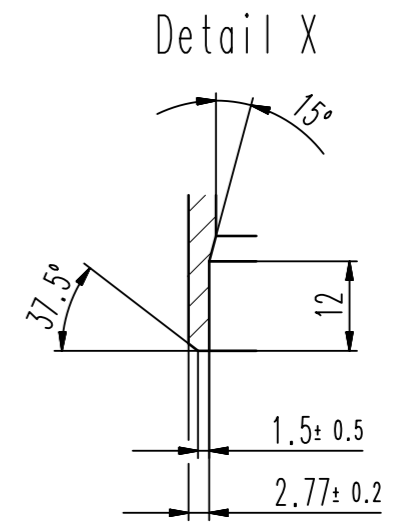


355 *



weight: $\text{\textcircled{B}}$ 7,9 kg / $\text{\textcircled{B}}$ 17,4 lbs

- port VCR 1/4" for intermediate pumping (between two bellows and between two head-flange-seals)
- center of gravity valve closed
- center of gravity valve open



- Seat side
- Comp. air connection
- Electrical connection
- Leak detection port
- Mech. pos. indication
- Position indicator
- Required for dismantling
- Emergency actuation
- For attachment
- Bake-out area
- Differential pumping port

All-metal angle valve
 product: valve typ ITER 5; flange A+B; ; weld stub flange:
 Scheduel No. 10S;

VAT Vakuumentile AG
 CH-9469 Haag, Switzerland
 Tel ++41 81 7716161 Fax ++41 81 7714830

Rev.-Date: 12.06.20
 Visa: LBR

Series	571	Ordering No.	57132-RE24-AHX1
Projection E	DN	Flange	R
	40		
Dimensional Drawing	826201	Rev.	C