

## All-metal angle valve with double acting pneumatic actuator

Series 570 / 571  
DN 40 – 63 mm (I. D. 1½" – 2½")

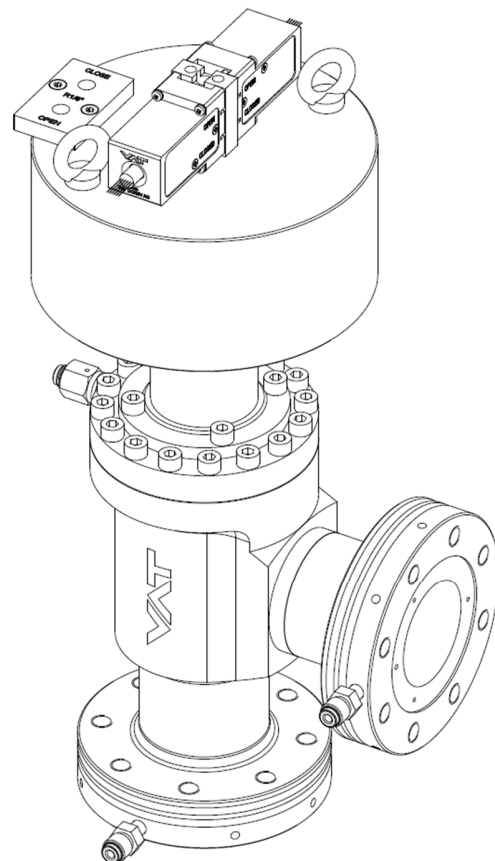
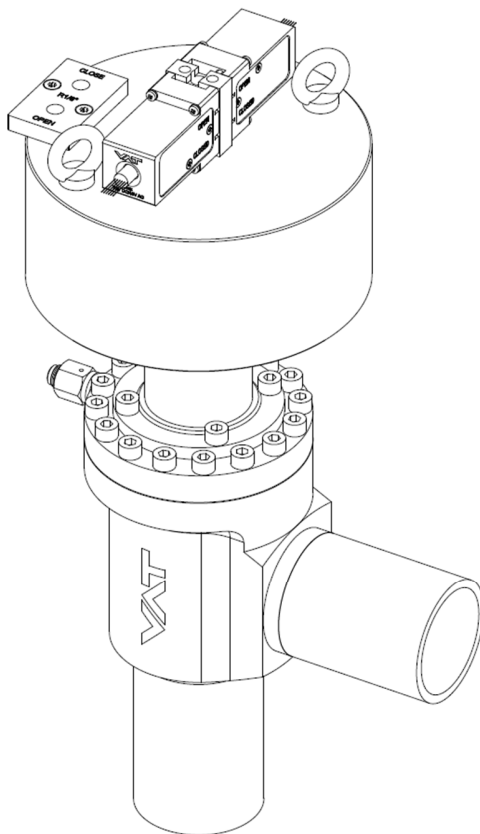
This manual is valid for the following product ordering number/s:

With weld stubs

**57132-RE24-AHX . / AHY .**  
**57036-RE24-AHX . / AHY .**

With ITER flanges

**57036-XE24-AHB .**



Sample picture

## Imprint

Manufacturer VAT Vakuumventile AG, CH-9469 Haag, Switzerland

Website: [www.vatvalve.com](http://www.vatvalve.com)  
Phone: +41 81 771 61 61  
Fax: +41 81 771 48 30  
Email: [CH@vatvalve.com](mailto:CH@vatvalve.com)

Publisher VAT Vakuumventile AG, CH-9469 Haag, Switzerland

Editor VAT Vakuumventile AG, CH-9469 Haag, Switzerland

Print VAT Vakuumventile AG, CH-9469 Haag, Switzerland

Copyright © VAT Vakuumventile AG 2020

No part of these instructions may be reproduced in any way (photocopies, microfilms or any other reproduction processes) nor may it be manipulated with electronic systems, duplicated or distributed without written permission from VAT. Offenders are liable to pay damages.

The original VAT firmware and updated state of the art versions of the VAT firmware are intended for use with VAT products. The VAT firmware contains a limited, time unlimited user license. The VAT firmware may not be used for purposes other than those intended nor is it permitted to make copies of the VAT firmware. In particular, it is strictly forbidden to give copies of the VAT firmware to other people.

The use of trade names, brand names, trademarks, etc. in these Instructions does not entitle third parties to consider these names to be unprotected and to use them freely. This is in accordance with the meaning of the laws and acts covering brand names and trademarks.

## Contents

<b>1</b>	<b>Description of product.....</b>	<b>5</b>
1.1	Identification of product.....	5
1.2	Use of product.....	5
1.3	Related documents.....	5
1.4	Important information.....	5
1.5	Technical data.....	5
<b>2</b>	<b>Safety.....</b>	<b>6</b>
2.1	Compulsory reading material.....	6
2.2	Danger levels.....	6
2.3	Personnel qualifications.....	7
2.4	Safety labels.....	7
<b>3</b>	<b>Design and Function.....</b>	<b>8</b>
3.1	Design.....	8
3.2	Function.....	9
<b>4</b>	<b>Installation.....</b>	<b>10</b>
4.1	Unpacking.....	10
4.2	Installation into the system.....	12
4.2.1	Preparation for installation.....	12
4.2.2	Mounting to the system.....	14
4.3	Compressed air connection.....	15
4.4	Electrical connection.....	16
<b>5</b>	<b>Operation.....</b>	<b>17</b>
5.1	Normal operation.....	17
5.2	Operation under increased temperature.....	18
5.3	Bake-out.....	18
5.4	Behavior in case of air pressure drop.....	18
5.5	Behavior in case of power failure.....	18
5.5.1	Manual emergency operation.....	18
5.6	Trouble shooting.....	20
<b>6</b>	<b>Maintenance.....</b>	<b>21</b>
6.1	Maintenance intervals.....	21
<b>7</b>	<b>Repairs.....</b>	<b>22</b>
7.1	Replacement of dynamic seal VATRING.....	23
<b>8</b>	<b>Dismounting and Storage.....</b>	<b>27</b>
8.1	Dismounting.....	28
8.2	Storage.....	31
<b>9</b>	<b>Packaging and Transport.....</b>	<b>33</b>
9.1	Packaging.....	34
9.2	Transport.....	34
<b>10</b>	<b>Disposal.....</b>	<b>35</b>

<b>11</b>	<b>Spare parts</b> .....	<b>36</b>
<b>12</b>	<b>Appendix</b> .....	<b>38</b>

# 1 Description of product

## 1.1 Identification of product

The fabrication number is lasered or etched directly on the product.



XXXXX-XXXX-XXXX/XXXX ← Fabrication number

Made in Switzerland

## 1.2 Use of product

Use product for clean and dry vacuum applications only. Other applications are only allowed with the written permission of VAT. Suitable for XHV applications..

## 1.3 Related documents

- Product data sheet
- Dimensional drawing

## 1.4 Important information



This symbol points to a very important statement that requires particular attention.

### Example:



VAT disclaims any liability for damages resulting from inappropriate packaging.

## 1.5 Technical data

See product data sheet and dimensional drawing.

## 2 Safety

### 2.1 Compulsory reading material

Read this chapter prior to performing any work with or on the product. It contains important information that is significant for your own personal safety. This chapter must have been read and understood by all persons who perform any kind of work with or on the product during any stage of its serviceable life.

	NOTICE
	<p><b>Lack of knowledge</b> Failing to read this manual may result in property damage. Firstly, read manual.</p>



These Installation, Operating & Maintenance Instructions are an integral part of a comprehensive documentation belonging to a complete technical system. They must be stored together with the other documentation and accessible for anybody who is authorized to work with the system at any time.

### 2.2 Danger levels



	⚠ DANGER
	<p><b>High risk</b> Indicates a hazardous situation which, if not avoided, will result in death or serious injury.</p>

	⚠ WARNING
	<p><b>Medium risk</b> Indicates a hazardous situation which, if not avoided, could result in death or serious injury.</p>

	⚠ CAUTION
	<p><b>Low risk</b> Indicates a hazardous situation which, if not avoided, may result in minor or moderate injury.</p>

	NOTICE
	<p><b>Command</b> Indicates a hazardous situation which, if not avoided, may result in property damage.</p>

## 2.3 Personnel qualifications

	 <b>WARNING</b>
	<p><b>Unqualified personnel</b>            Inappropriate handling may cause serious injury or property damage.            Only qualified personnel are allowed to carry out the described work.</p>

## 2.4 Safety labels


Label	Part No.	Location on valve
	T-9001-155	On protective covers of flanges

Table 2-1

### 3 Design and Function

#### 3.1 Design

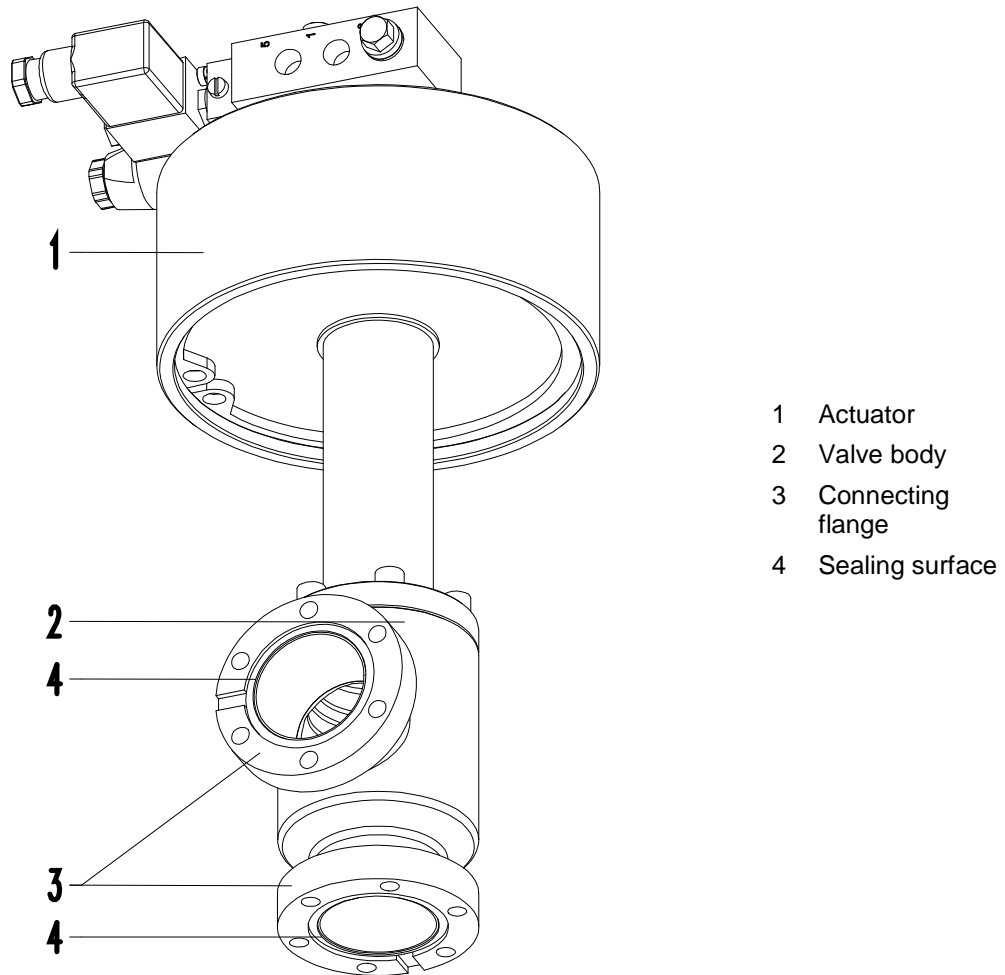


Figure 3-1



### 3.2 Function

Valve is closed and opened with compressed air.

Closing: The valve plate moves towards the seat. The VATRING (1) moves into the valve seat and closes leaktight.

Opening: The valve plate moves back from the seat until the open stop is reached.

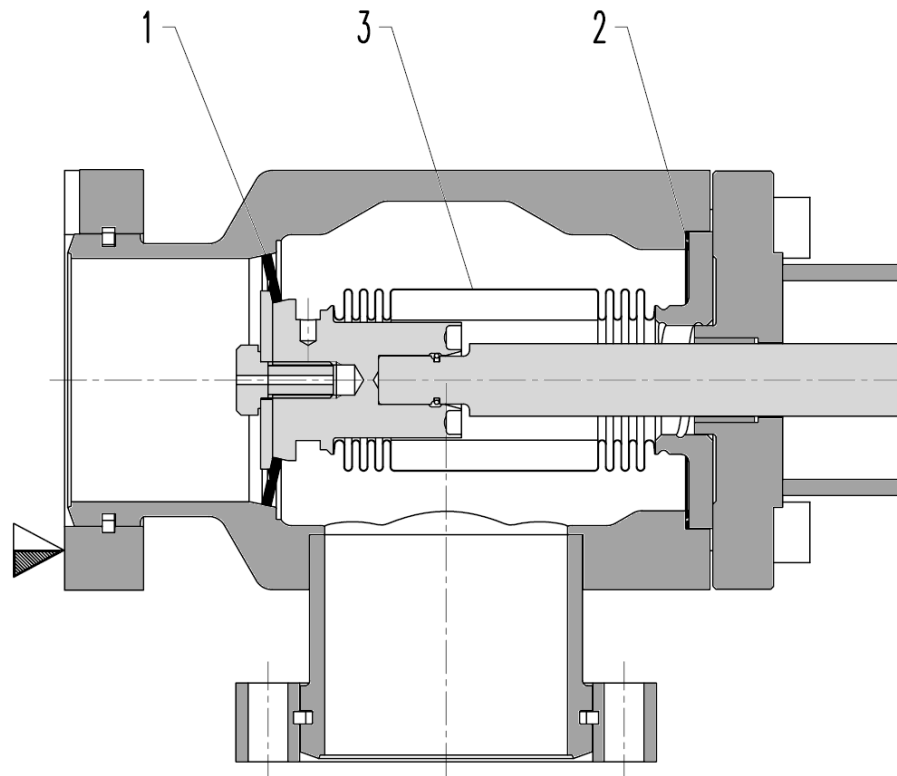


Figure 3-2 (sample picture)

- 1 VATRING
- 2 Bonnet seal
- 3 Bellows

▼ Valve seat side

## 4 Installation

	<b>WARNING</b>
	<p><b>Unqualified personnel</b>                  Inappropriate handling may cause serious injury or property damage.                  Only qualified personnel are allowed to carry out the described work.</p>

### 4.1 Unpacking

- Make sure that the supplied products are in accordance with your order.
- Inspect the quality of the supplied products visually. If it does not meet your requirements, please contact VAT immediately.
- Store the original packaging material. It may be useful if products must be returned to VAT.

Don't open the plastic bag before mounting into the system.

	<b>NOTICE</b>
	<p><b>Wrong lifting</b>                  Valve may crash and get damaged.                  Use only the eyebolts shown in the dimensional drawing and in «Figure 4-1» on page 11 to lift the valve. Using any other components (e. g. position indicators, solenoids etc.) to lift the valve is strictly forbidden.</p>

	<b>NOTICE</b>
	<p><b>Sensitive product</b>                  Valve parts may get damaged.</p> <ul style="list-style-type: none"> <li>– When lifting the valve, pay attention that the valve does not touch any solid objects.</li> <li>– Lift valve carefully and put it down on a clean surface or mount it to a clean system.</li> </ul>

Using a crane for lifting the valve out of the transport box is recommended; see «Figure 4-1».

Weight of valves; see chapter «1.5 Technical data».

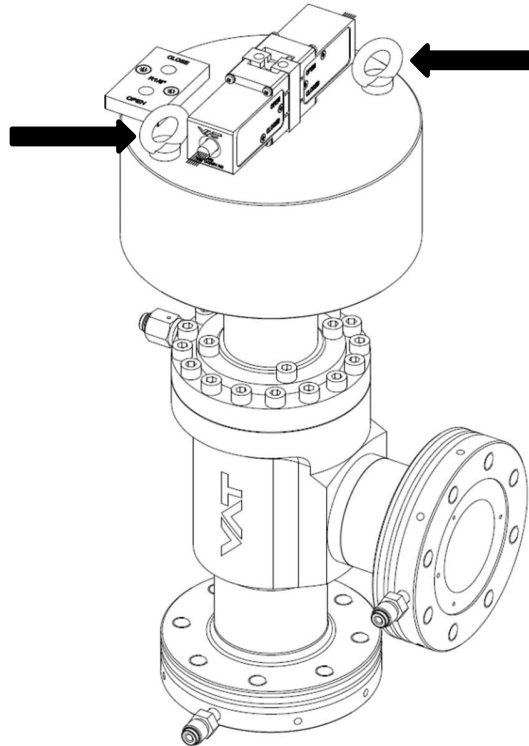


Figure 4-1

## 4.2 Installation into the system

	<b>⚠ WARNING</b>
	<p><b>Movable parts</b></p> <p>Human body parts may get jammed and severely injured.</p> <p>Do not connect or supply electrical power and compressed air before the product is completely mounted in the system.</p>

	<b>NOTICE</b>
	<p><b>Contamination</b></p> <p>Product may get contaminated.</p> <p>Always wear cleanroom gloves when handling the product.</p>

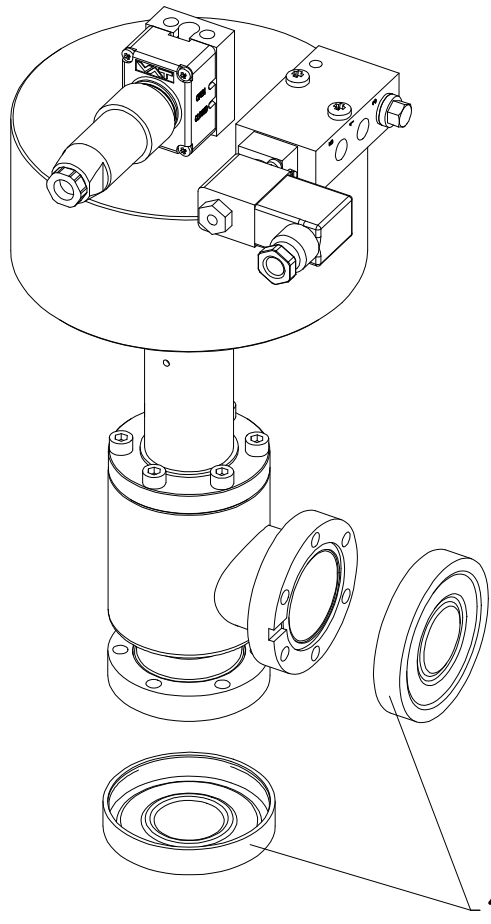
	<b>NOTICE</b>
	<p><b>Force effect from other components of the system</b></p> <p>Valve body may get deformed and/or malfunctions may occur.</p> <ul style="list-style-type: none"> <li>– Do not use valve to support other components.</li> <li>– Make sure that forces from other components do not impair the valve; use bellows sections, for instance.</li> </ul>

### 4.2.1 Preparation for installation

	<b>⚠ WARNING</b>
	<p><b>Danger of injury in case of insufficient skills</b></p> <p>Inappropriate handling may cause serious injury or property damage.</p> <p>Make sure that the valve does not topple or fall down while removing the protective covers from the flanges.</p>

	<b>NOTICE</b>
	<p><b>Sensitive product</b></p> <p>Valve parts may get damaged.</p> <p>When removing the protective covers from the flanges, be careful to avoid damage to the valve.</p>

1. Remove plastic bag.
2. Remove nuts, bolts and protective covers (1).



1 Protective covers

Figure 4-2



Store protective covers, bolts and nuts. They may be useful when valve needs to be repacked.

3. Clean sealing surfaces; see «Figure 3-1» on page 8, with cleanroom wiper soaked with pure alcohol (Isopropanol).
4. Clean sealing surface with clean, oil free compressed air.

#### 4.2.2 Mounting to the system

1. Mount valve to your system by using appropriate flange screws (different quantity of screws required – depending on valve size).
2. Mount screws evenly in crosswise order until the seal touches the sealing surface.
3. Tighten all screws with the torques appropriate for the property classes of the screws. Apply the torque gradually and in crosswise order.
4. Remove the transport protection (84, 85).

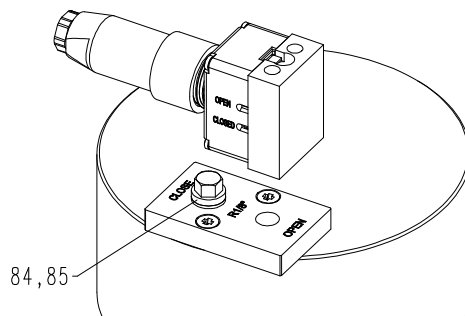
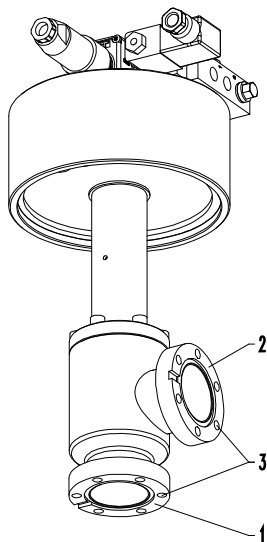


Figure 4-3





Store transport protection (84, 85). They may be useful when valve needs to be repacked.




- 1 Flange A (valve seat side)
- 2 Flange B
- 3 Screw holes

Figure 4-4

### 4.3 Compressed air connection

	 <b>WARNING</b>
	<p><b>Valve in open position</b></p> <p>Risk of injury when compressed air is connected to the valve.</p> <p>Connect compressed air only when:</p> <ul style="list-style-type: none"> <li>- valve is installed in the vacuum system</li> <li>- moving parts cannot be touched</li> </ul>

	<b>NOTICE</b>
	<p><b>Wrong sequence of connections</b></p> <p>Valve mechanism may get damaged when electrical power is being connected before compressed air is connected.</p> <p>Always connect compressed air before connecting electrical power.</p>



Use clean, dry or slightly oiled air only.



Admissible air pressure range, see product data sheet.

5. Connect compressed air according to the product data sheet and dimensional drawing.



Ordering numbers:	571 ... - . E14 571 ... - . E24 571 ... - . E34 571 ... - . E44	without solenoid valve, with position indicator with solenoid valve, without position indicator with solenoid, with position indicator
-------------------	--	--

#### 4.4 Electrical connection

	⚠ DANGER
	<p><b>Electric shock</b></p> <p>Parts being under voltage will result in serious injury or death. Do not touch parts being under voltage.</p>

	NOTICE
	<p><b>Wrong sequence of connections</b></p> <p>Valve mechanism may get damaged when electrical power is being connected before compressed air is connected. Always connect compressed air before connecting electrical power.</p>

	NOTICE
	<p><b>Wrong voltage</b></p> <p>Electrical components may get damaged. Supply electrical components with the correct voltage.</p>


1. Connect position indicator according to the product data sheet and dimensional drawing.
2. Connect solenoid valve according to the product data sheet and dimensional drawing.




Ordering numbers:	571 ... - . E14	without position indicator, without solenoid
	571 ... - . E24	with position indicator, without solenoid valve
	571 ... - . E34	without position indicator, with solenoid valve
	571 ... - . E44	with position indicator, with solenoid valve



## 5 Operation

	<b>⚠ WARNING</b>
	<p><b>Unqualified personnel</b> Inappropriate handling may cause serious injury or property damage. Only qualified personnel are allowed to carry out the described work.</p>

	<b>⚠ WARNING</b>
	<p><b>Movable parts</b> Human body parts may get jammed and severely injured. Do not operate before product is installed completely into the vacuum system.</p>

### 5.1 Normal operation

Valve is closed and opened with compressed air.



For technical details, see product data sheet.

Action	Execution	Procedure
To open the valve	Without solenoid valve 571 ... - . E14- .... 571 ... - . E24- ....	Afterwards, supply admissible compressed air to connection ⊕ OPEN and release air through connection ⊕ CLOSE.
	Standard solenoid valve 571 ... - . E34- .... 571 ... - . E44- ....	Supply admissible compressed air to connection ⊕ OPEN/CLOSE (PORT 1). Supply voltage (observe voltage specification on coil) to connection ⊕ SV.


Table 5-1

Action	Execution	Procedure
To close the valve	Without solenoid valve 571 ... - . E14- .... 571 ... - . E24- ....	Afterwards, supply admissible compressed air to connection ⊕ CLOSE and release air through connection ⊕ OPEN.
	Standard solenoid valve 571 ... - . E34- .... 571 ... - . E44- ....	Supply admissible compressed air to connection ⊕ OPEN/CLOSE (PORT 1). Release voltage from connection ⊕ SV.

Table 5-2

## 5.2 Operation under increased temperature

Maximum allowed temperature see product data sheet.

	<b>NOTICE</b>
	<p><b>Inconstant temperatures</b> Performance of the valve may deteriorate.</p> <ul style="list-style-type: none"> <li>– Actuate valve only after the bake-out temperature has been stable for two hours.</li> <li>– If valve must be actuated during bake-out, make sure that the heating or cooling rate does not exceed 10 °C per hour in the temperature range from 200°C to 350 °C</li> <li>– Make sure that the temperature differences over the whole body do not exceed 30 °C.</li> </ul>

## 5.3 Bake-out

See product data sheet.


## 5.4 Behavior in case of air pressure drop

See product data sheet.

## 5.5 Behavior in case of power failure

See product data sheet.

### 5.5.1 Manual emergency operation

	<b>⚠ WARNING</b>
	<p><b>Movable parts</b> Human body parts may get jammed and severely injured. Keep human body parts away from movable parts.</p>

The solenoid valves are provided with manual emergency operation (slotted screw). This screw allows actuating the valve in case of a power failure. Compressed air must be supplied!

### Standard solenoid valve

To close the valve: Turn the slotted screw (1) counter-clockwise to its stop.

To open the valve: Turn the slotted screw (1) clockwise to its stop.

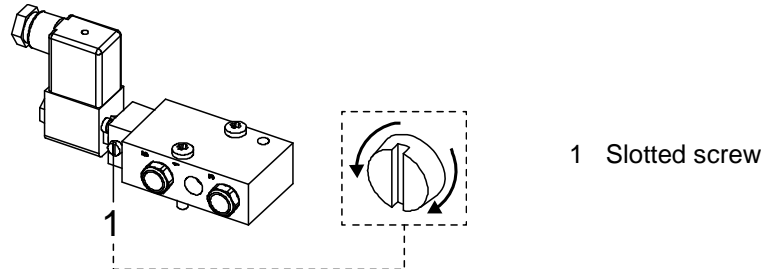



Figure 5-1

 For remote operation make sure that the slotted screw is turned counter-clockwise to its stop.

### Impulse solenoid valve

To close the valve: Turn the slotted screw (3) – coil CLOSE – clockwise to its stop.  
As soon as valve is closed, turn screw back to its original position.

To open the valve: Turn the slotted screw (2) – coil OPEN – clockwise to its stop.  
As soon as valve is open, turn screw back to its original position.

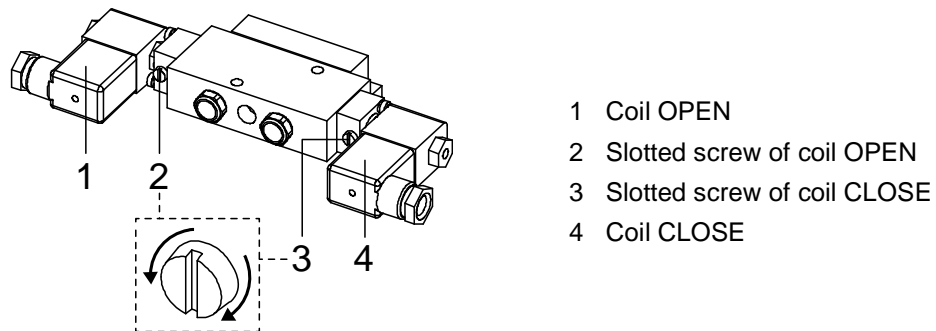



Figure 5-2

 For remote operation make sure that both slotted screws are turned counter-clockwise to their stop (original position).

## 5.6 Trouble shooting

Failure	Check	Action	See
Valve mechanism does not move	Compressed air	Connect compressed air	«4.3 Compressed air connection»
	Electrical power	Connect electrical power	«4.4 Electrical connection»
	Operating pressure	Adjust operating pressure	«4.3 Compressed air connection»
	Position of slotted screw	Turn slotted screw to the correct position	«5.5.1 Manual emergency operation»
Leak at gate	Condition of gate seal	Please contact VAT	www.vatvalve.com
	Operating pressure	Adjust operating pressure	«4.3 Compressed air connection»
Leak at body	Condition of bonnet seal and sealing surface	Please contact VAT	www.vatvalve.com
	Condition of bellows	Please contact VAT	www.vatvalve.com

Table 5-3

If you need any further information, please contact one of our service centers. You will find the addresses on our website [www.vatvalve.com](http://www.vatvalve.com).

## 6 Maintenance




### 6.1 Maintenance intervals

Under clean operating conditions the valve does not require any maintenance during specified lifetime.



- Impacts from the process may require more frequent maintenance.
- When the valve has reached the specified lifetime; see product data sheet, we recommend to have it serviced by VAT. Please contact your nearest VAT service center to get recommendations and an offer. You will find the addresses on our website [www.vatvalve.com](http://www.vatvalve.com).

## 7 Repairs

	<p style="text-align: center;"><b>⚠ WARNING</b></p> <p><b>Unqualified personnel</b>                  Inappropriate handling may cause serious injury or property damage.                  Only qualified personnel are allowed to carry out the described work.</p>
	<p style="text-align: center;"><b>⚠ WARNING</b></p> <p><b>Danger of injury in case of insufficient skills</b>                  Inappropriate handling may cause serious injury or property damage.                  Make sure that the valve does not topple or fall down while removing the protective covers from the flanges.</p>
	<p style="text-align: center;"><b>NOTICE</b></p> <p><b>Contamination</b>                  Product may get contaminated.                  Always wear cleanroom gloves when handling the product.</p>

Repairs may only be carried out by the VAT service staff. In exceptional cases, the customer is allowed to carry out the repairs, but only with the prior consent of VAT.

Please contact one of our service centers. You will find the addresses on our website [www.vatvalve.com](http://www.vatvalve.com).

## 7.1 Replacement of dynamic seal VATRING

In case of a seat seal leak caused by environmental influences and no visible damage of the sealing surface at the seat, the VATRING seal can be replaced.

VAT offers a range of components; see «**Error! Reference source not found.**» on page **Error! Bookmark not defined.** for further contact information. The seal exchange could be carried out by the user.

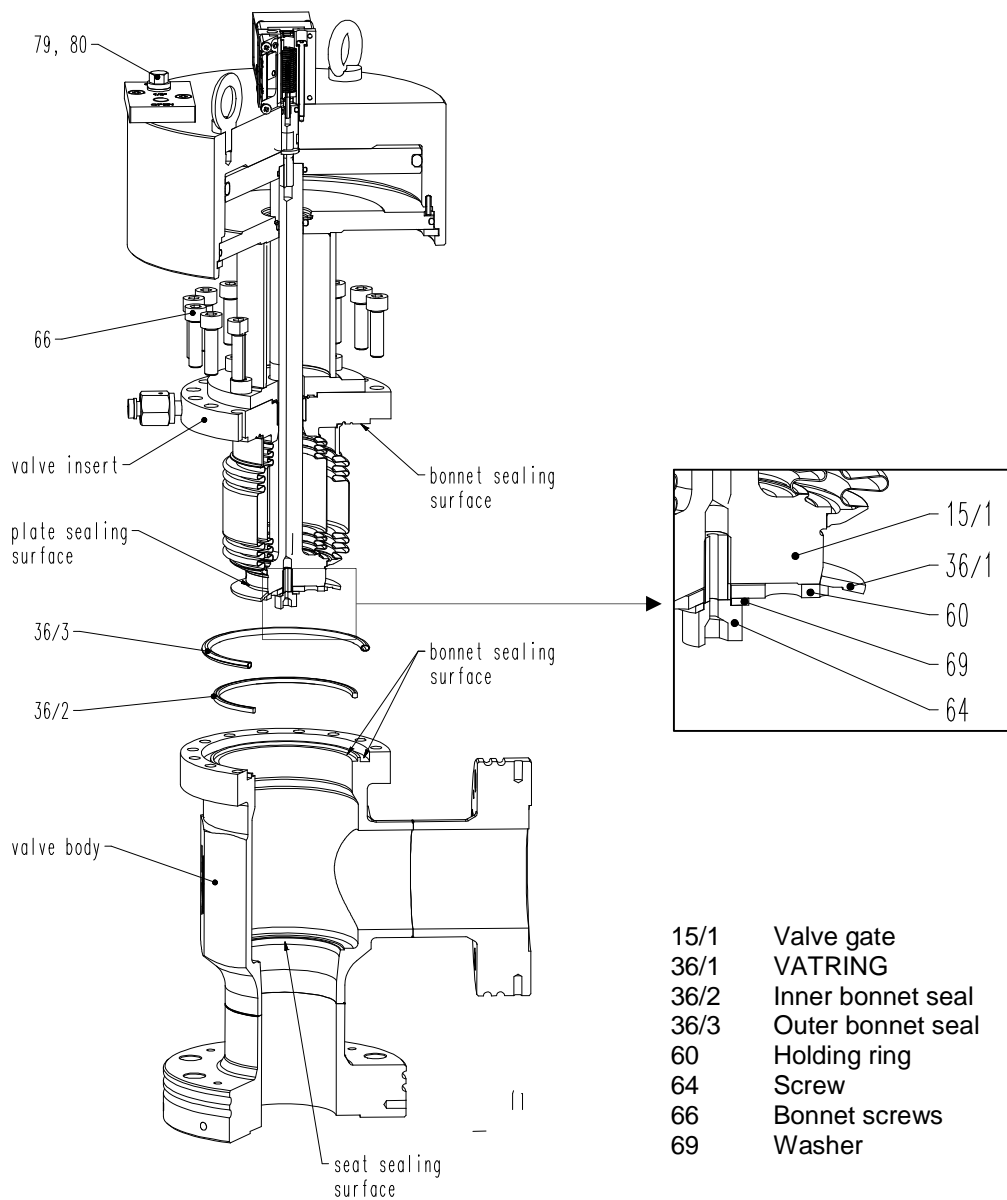



Figure 7-1

Required material: VATRING

Ordering information: See chapter «11 Spare parts» on page 36 and «Figure 7-1» on page 23.

<b>NOTICE</b>	
	<p><b>Inappropriate mounting position of valve</b></p> <p>Maintenance may be troublesome and parts may drop down.</p> <p>Ideally dismount valve from the system and put it on a clean workbench with the actuator upwards.</p>

**Procedure:**

The item numbers in brackets refer to; see «Figure 7-1» on page 23.

1. Open valve and secure the position with the transport protection (79, 80).

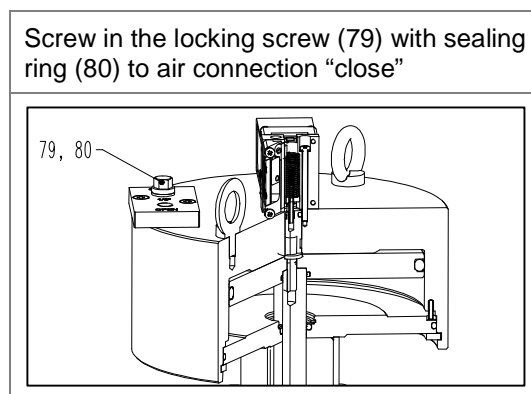



Figure 7-2

 Be sure that the locking screw (79) and sealing ring (80) are removed after the installation in your system; see step 20 as follow steps.

2. Remove the bonnet screws (69).
3. Pull valve insert carefully out of the valve body without touching the body wall. Touching the body wall may cause severe damage to delicate parts of the insert.
4. Remove bonnet seal (36/2).
5. Clean sealing surfaces of bonnet and seat of valve body with pure alcohol (Isopropanol).





Make sure that the sealing surface is free of scratches.



When loosening and tightening the screw (67) protect the bellows against torsion by hole or wrench size; see «Figure 7-3» on page 25.

6. Remove the screw (67).
7. Remove holding ring (62).
8. Remove VATRING (36/1).
9. Clean sealing surface of plate (21/1) with pure alcohol (Isopropanol), use a cleanroom wiper.



Make sure that the sealing surface is free of scratches.

10. Put new VATRING (36/1) on sealing surface of plate (15/1).



Make sure that the seal ring is installed in the correct direction.

11. Put holding ring (62) on plate (15/1).
12. Insert screw (67) and tighten them slightly only.
13. Level out VATRING (36/1) and plate (15/1) along the whole circumference. Height difference shall not exceed 0.1 mm. Check height difference accurately at four spots (measured angle 90°) around the whole circumference.

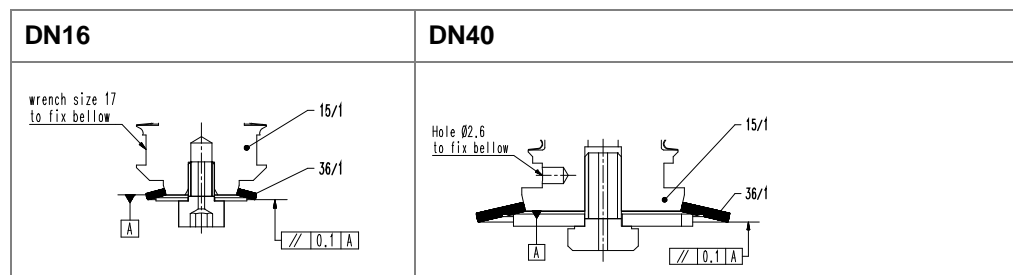


Figure 7-3

14. Clean sealing surfaces of bonnet and seat of valve body with pure alcohol (Isopropanol), use cleanroom wiper.
15. Protect bellows against torsion by hole or wrench size; see «Figure 7-3» and tighten screw (67) with the following torque:

DN 16: 2.5 Nm  
DN 40: 7 Nm

16. Put bonnet seal (36/2) on sealing surface of valve body.



Figure 7-4



Make sure that the seal ring is installed in the correct direction.

17. Move valve insert (in open secured position) carefully into the valve without touching the body wall. Touching the body wall may cause severe damage to delicate parts of the insert.
18. Insert all bonnet screws and tighten all screws gradually in crosswise order with the following torque:
  7. DN 16: 7 Nm
  - DN 40: 7 Nm
19. Install valve to your system.
20. Remove the transport protection (84, 85).

Valve is ready to use.

## 8 Dismounting and Storage

	<p style="text-align: center;"><b>⚠ WARNING</b></p> <p><b>Unqualified personnel</b> Inappropriate handling may cause serious injury or property damage. Only qualified personnel are allowed to carry out the described work.</p>
	<p style="text-align: center;"><b>⚠ WARNING</b></p> <p><b>Hazardous components</b> Human body parts may get jammed and severely injured. Before dismantling the product: – disconnect compressed air supply – disconnect electrical power supply</p>
	<p style="text-align: center;"><b>⚠ WARNING</b></p> <p><b>Movable parts</b> Human body parts may get jammed and severely injured. Keep human body parts away from movable parts.</p>
	<p style="text-align: center;"><b>NOTICE</b></p> <p><b>Contamination</b> Product may get contaminated. Always wear cleanroom gloves when handling the product.</p>

## 8.1 Dismounting

8. Open the valve and secure the open position (by the transport protection).

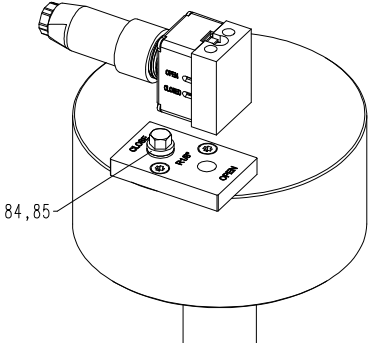
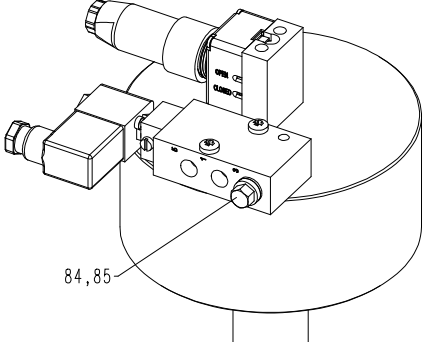
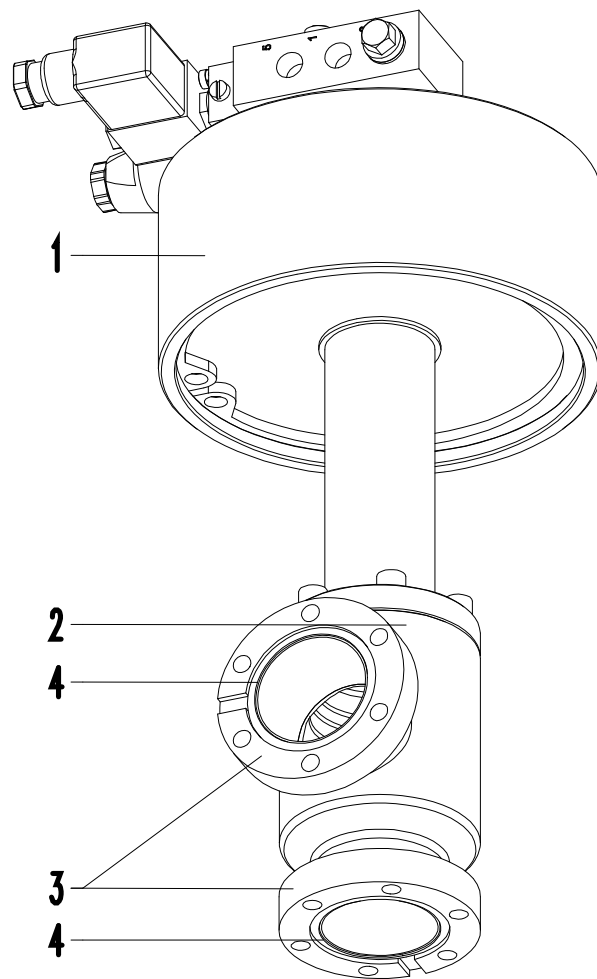
Version without solenoid valve	Version with solenoid valve
Screw in the locking screw (84) with sealing ring (85) to air connection "close"	Connect air supply and do electrical connection according to this manual. Control the solenoid valve to open the valve, screw in the locking screw (84) with sealing ring (85) to the connection "3" on the solenoid valve.
	

Figure 8-1

9. Disconnect electrical power supply.

10. Disconnect compressed air supply.

## 8.2 Dismount the valve according chapter «3.1 Design



- 5 Actuator
- 6 Valve body
- 7 Connecting flange
- 8 Sealing surface

Figure 3-1

### 8.3 Function

Valve is closed and opened with compressed air.

Closing: The valve plate moves towards the seat. The VATRING (1) moves into the valve seat and closes leaktight.

Opening: The valve plate moves back from the seat until the open stop is reached.

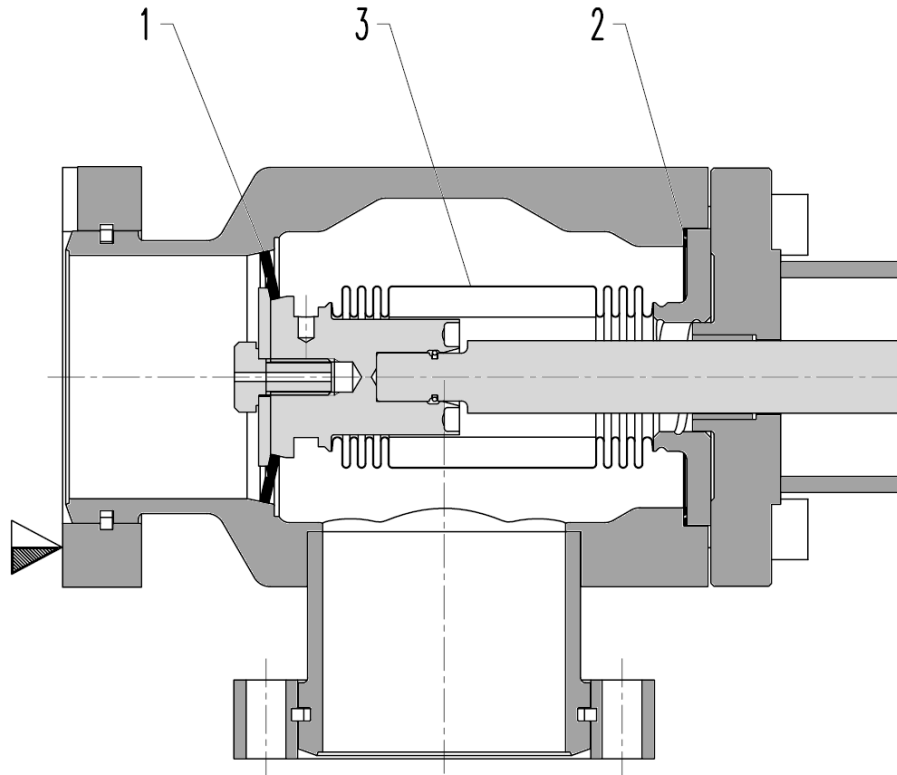


Figure 3-2 (sample picture)


- 4 VATRING
- 5 Bonnet seal
- 6 Bellows
- ▽ Valve seat side

11. Installation», however in reverse order.



Observe safety instruction of chapter «4 Installation».

## 8.4 Storage

<b>NOTICE</b>	
	<p><b>Wrong storage</b></p> <p>Inappropriate temperatures and humidity may cause damage to the product.</p> <p>Valve must be stored at:</p> <ul style="list-style-type: none"><li>– relative humidity between 10% and 70%</li><li>– temperature between +10 °C and +50 °C</li><li>– non-condensing environment</li></ul>


**NOTICE****Inappropriate packaging**


Product may get damaged if inappropriate packaging material is used.  
Always use the original packaging material and handle product with care.


1. Clean / decontaminate valve.
2. Mount protective covers on flanges; see chapter «Figure 4-2».
3. Pack valve appropriately, by using the original packaging material.



## 9 Packaging and Transport

	<b>⚠ WARNING</b>
	<b>Unqualified personnel</b> Inappropriate handling may cause serious injury or property damage. Only qualified personnel are allowed to carry out the described work.


	<b>⚠ WARNING</b>
	<b>Harmful substances</b> Risk of injury in case of contact with harmful substances. Remove harmful substances (e. g. toxic, caustic or microbiological ones) from valve before you return the valve to VAT.

	<b>NOTICE</b>
	<b>Inappropriate packaging</b> Product may get damaged if inappropriate packaging material is used. Always use the original packaging material and handle product with care.



- When returning products to VAT, please fill out the VAT form «Declaration of Chemical Contamination» and send it to VAT in advance. The form can be downloaded from our website [www.vatvalve.com](http://www.vatvalve.com).
- If products are radioactively contaminated, the VAT form «Contamination and Radiation Report» must be filled out. Please contact VAT in advance.
- If products are sent to VAT in contaminated condition, VAT will carry out the decontamination procedure at the customer's expense.

## 9.1 Packaging

<b>NOTICE</b>	
	<p><b>Valve in closed or in undefined position</b></p> <p>Valve mechanism may get damaged if valve is in close or undefined position. Make sure that the valve is in open position secured.</p>


12. Cover all valve openings with protective covers; see chapter «4.2.1 Preparation for installation».

13. Pack valve appropriately, by using the original packaging material.



VAT disclaims any liability for damages resulting from inappropriate packaging.

## 9.2 Transport


<b>NOTICE</b>	
	<p><b>Inappropriate packaging</b></p> <p>Product may get damaged if inappropriate packaging material is used. Always use the original packaging material and handle product with care.</p>





VAT disclaims any liability for damages resulting from inappropriate packaging.

## 10 Disposal

Observe the local regulations for disposal

	<b>⚠ WARNING</b>
	<b>Harmful substances</b> Environmental pollution. Discard products and parts according to the local regulations.

	<b>⚠ WARNING</b>
	<b>Unqualified personnel</b> Inappropriate handling may cause serious injury or property damage. Only qualified personnel are allowed to carry out the disposal.

	<b>NOTICE</b>
	<b>Improper disposal</b> Some built-in materials can cause damage, if improperly handled. - When disposing, take into account all the different materials used



- Hire an authorised waste disposal company to dispose of the waste in a professional manner.

## 11 Spare parts



### NOTICE

#### Non-original spare parts

Non-original spare parts may cause damage to the product.  
Use original spare parts from VAT only.



- Parts may only be replaced by the VAT service staff or specially trained service staff of the customer.
- Please contact one of our service centers and specify the fabrication number of the product; see chapter «1.1 Identification of product». You will find the addresses on our website [www.vatvalve.com](http://www.vatvalve.com).



## 12 Appendix

