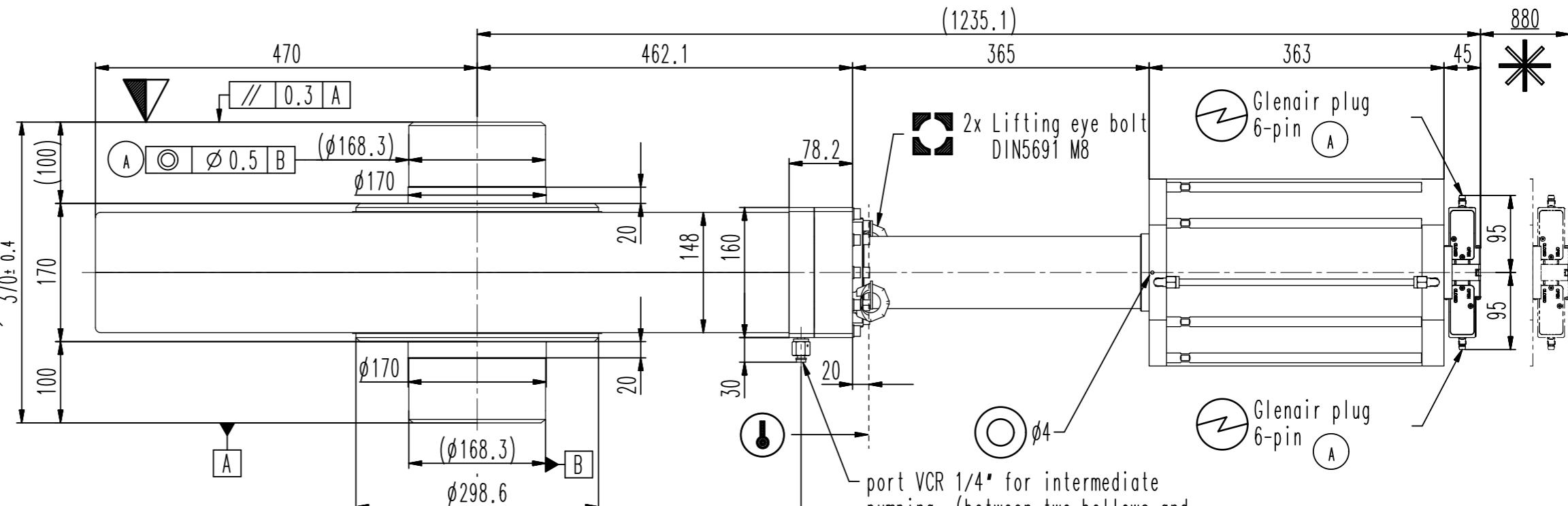
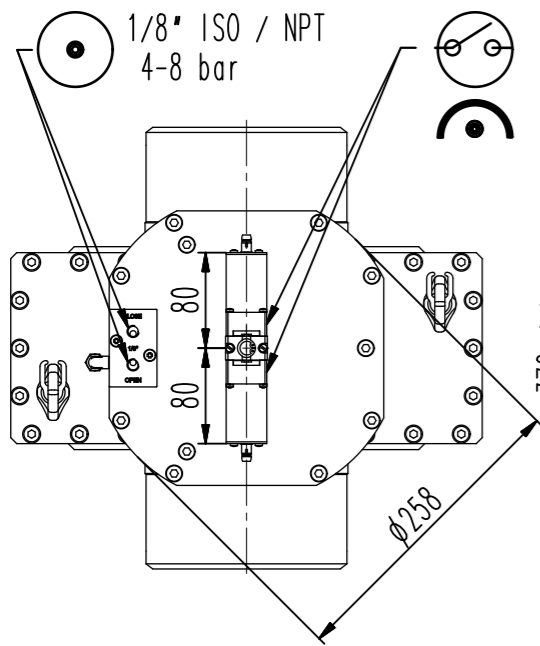


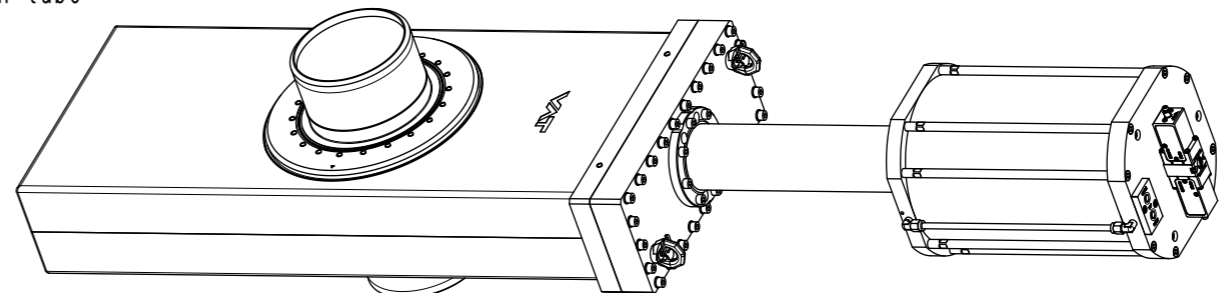
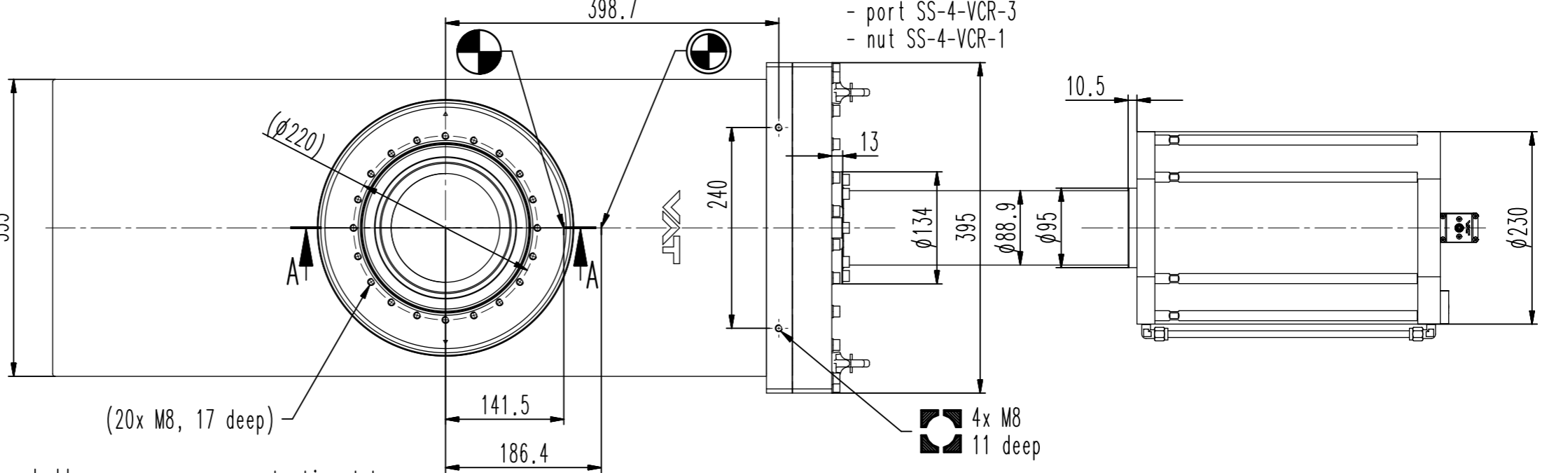
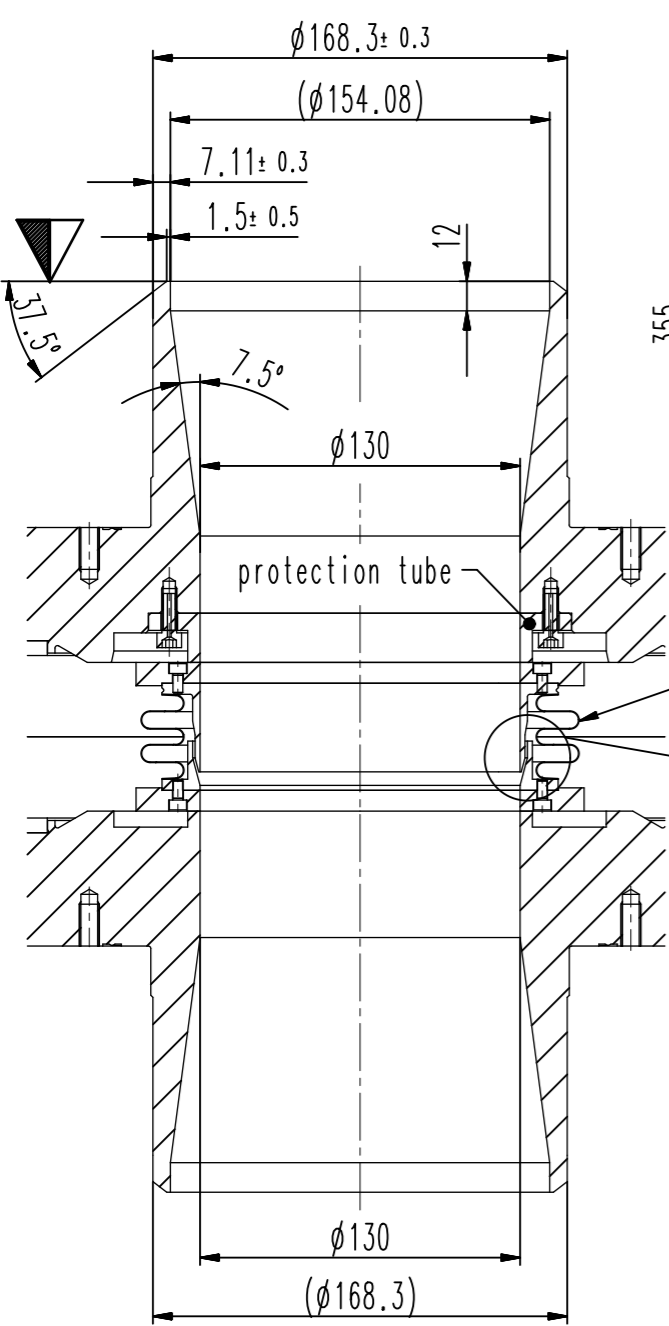
This drawing is the property of VAT.

Revision

Customer number



SECTION A-A (VALVE OPEN POSITION)



center of gravity valve closed
 center of gravity valve open
 weight 205.5kg / 453.1 lbs

- ▼ Seat side
- ⊙ Comp. air connection
- ⊙ Electrical connection
- ⊙ Leak detection port
- ⊙ Mech. pos. indication
- ⊙ Position indicator
- ⊙ Required for dismantling
- ⊙ Emergency actuation
- ⊙ For attachment
- ⊙ Bake-out area
- ⊙ Differential pumping port

All-metal gate valve
 product: valve type ITER 6; flange A+B; ; weld stub flange:
 Schedule No. 40S;
VAT VAT Vakuumventile AG
 CH-9469 Haag, Switzerland
 Tel ++41 81 7716161 Fax ++41 81 7714830
 Rev.-Date: 28.05.20
 Visa: MAT

Series	481	Ordering No.	48146-RE24-ASG1
Projection E	DN	Flange	R
	200		
Dimensional Drawing	851998	Rev.	A